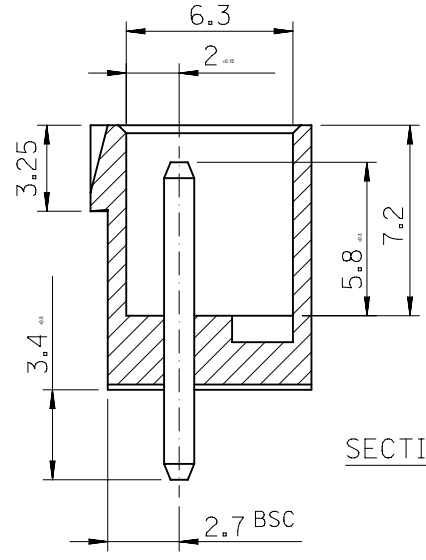
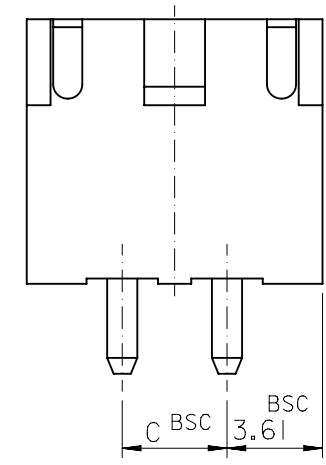
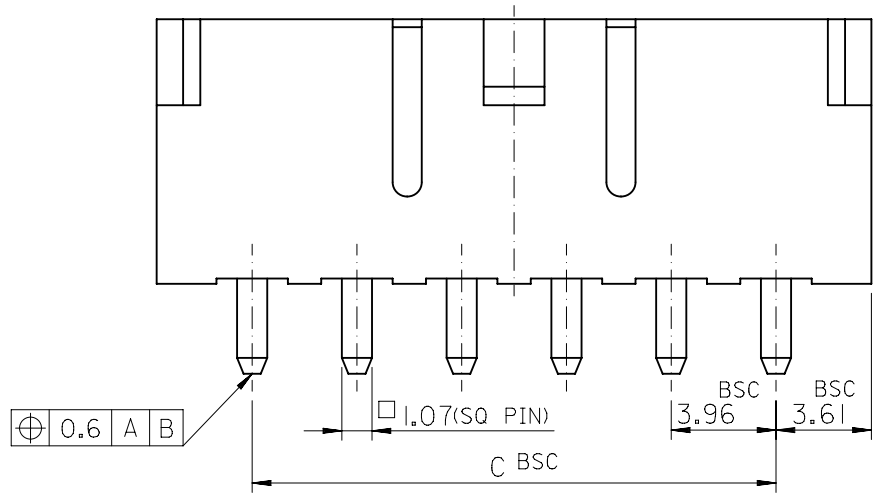
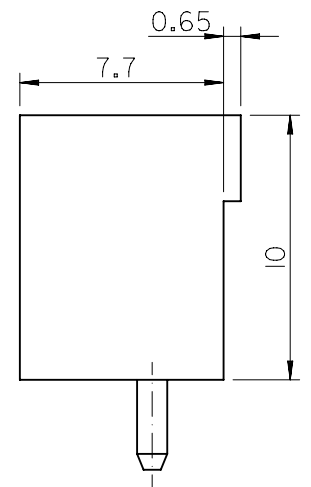
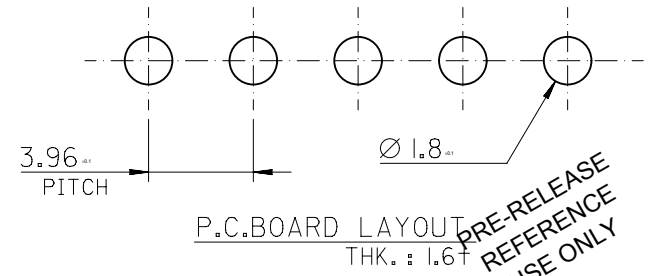
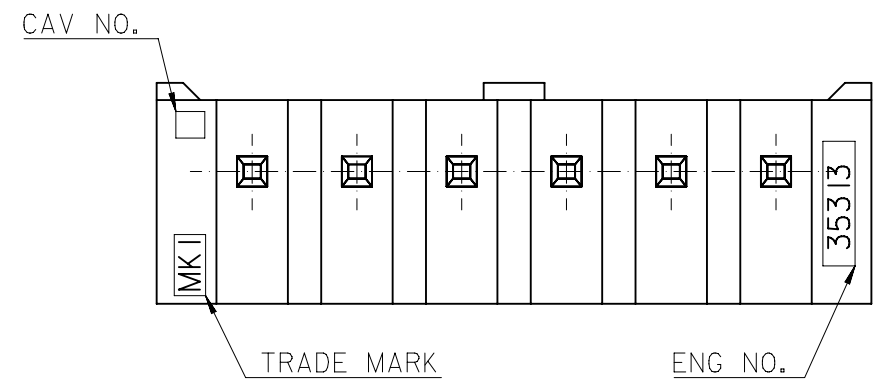


NOTE
 1. MATERIAL : WAFER : NYLON66, GLASS FILLED 20%
 PIN : BRASS, TIN PLATED
 2. LEGEND
 35313-*** 6 *
 COLOR : 0 - NATURAL
 1 - BLACK
 2 - RED
 3 - YELLOW
 4 - BLUE
 CKT NO.(02,03,04...)
 3. THIS PRODUCT SHALL BE COMPLIED WITH
 RoHS COMPATIBLE(LEAD FREE SOLDERABILITY)



2 CKT ONLY



27.72	32.94	34.94	35313-086*	8
23.76	28.98	30.98	-076*	7
19.8	25.02	27.02	-066*	6
15.84	21.06	23.06	-056*	5
11.88	17.1	19.1	-046*	4
7.92	13.14	15.14	-036*	3
3.96	9.18	11.18	35313-026*	2
C	B	A	ENG NO.	CKT NO.

FUNCTIONAL SYMBOLS		THIS DRAWING CONTAINS INFORMATION THAT IS PROPRIETARY TO MOLEX ELECTRONIC TECHNOLOGIES, LLC AND SHOULD NOT BE USED WITHOUT WRITTEN PERMISSION	
$\frac{F}{A} = 0$	DIMENSION UNITS	SCALE	CURRENT REV DESC: OBSOLETE PART NUMBERS AS PER PCN#510806
$\frac{F}{E} = 0$	mm	3.5:1	
$\frac{F}{P} = 0$	GENERAL TOLERANCES (UNLESS SPECIFIED)		
	MM	INCH	
	4 PLACES	± 0.0	
	3 PLACES	± 0.0	
	2 PLACES	± 0.2	
	1 PLACE	± 0.2	
	0 PLACES	±	
	ANGULAR TOL	± °	
DIVISIONAL SYMBOLS		THIRD ANGLE PROJECTION	DRAWING
		DRW: ANIKES1	2023/01/16
		CHK'D: GGA	2023/02/24
		APPR: GGA	2023/02/24
		INITIAL REVISION:	
		DRW: KSKIM	2004/10/11
		APPR: CHANGWOOLEE	2004/10/12
DRAFT WHERE APPLICABLE MUST REMAIN WITHIN DIMENSIONS		SERIES	MATERIAL NUMBER
		B-SIZE	35313
		CUSTOMER	GENERAL MARKET
		DOC TYPE	PSD
		DOC PART	001
		REVISION	C1
		SHEET NUMBER	1 OF 1