

PART NAME: BALL KNOB SCALE: 1:1 DATE: 3/4/64 DR. BY LS

THIS DRAWING IS THE PROPERTY OF DAVIES MOLDING COMPANY, IS SUBMITTED SOLELY AS A DESIGN OR ENGINEERING PROJECT. WE ACCEPT NO RESPONSIBILITY WHATSOEVER FOR THE PRACTICAL APPLICATION OF THE PIECES MADE TO THIS DESIGN.

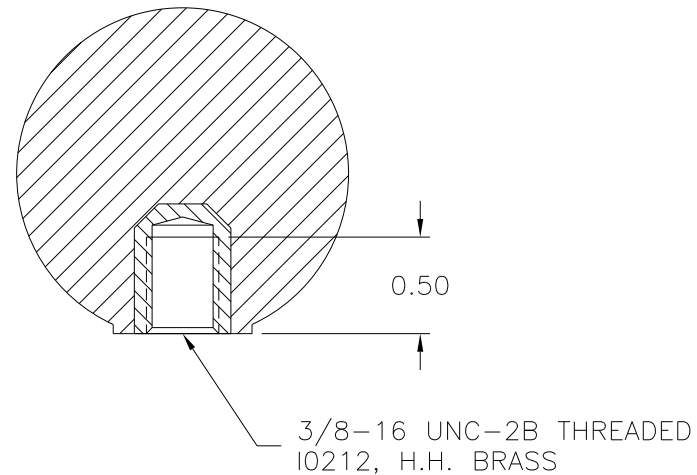
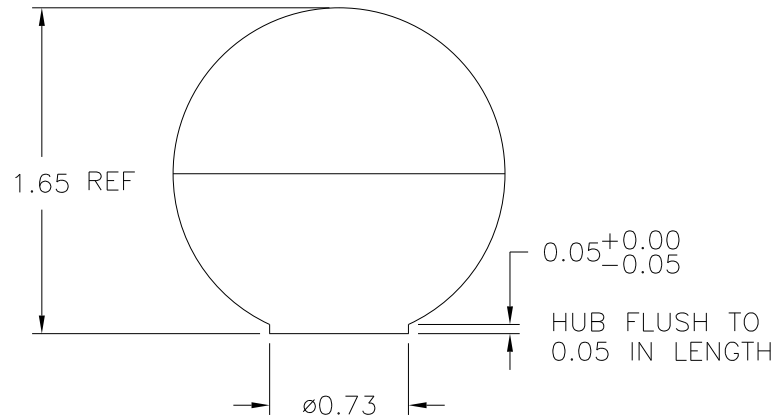
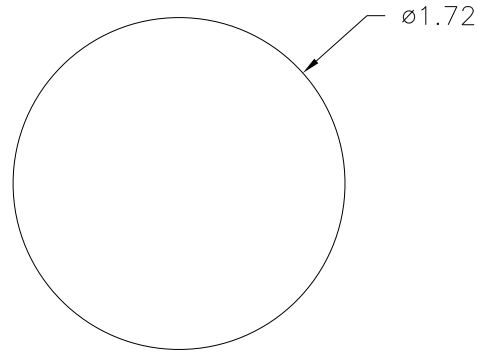


DESIGNERS & MANUFACTURERS OF KNOBS, HANDLES, CASES & CUSTOM PLASTIC COMPONENTS

P/N 0044-X

M^{NO.} 0044

PLUNGER	0044
CAVITY	0044
INNER PIN	0044-T
OUTER PIN	0044-T
SHIM	#1
INSERT	10212



MATERIAL: G.P. PHENOLIC (B11)
COLOR: BLACK

TOLERANCES: UNLESS OTHERWISE SPECIFIED	DO NOT SCALE DRAWING	A	HUB DETAIL	RF	9/19/13
		-	UPDATED TOOLING BOX	TS	2/20/02
DECIMALS: X.XXX ± .005 X.XX ± .015	MM: X.XX ± 0.15MM X.X ± 0.4MM	-	RE-DID REDRAW	TL	10/28/99
		-	CAD REDRAW	HD	11/23/92
FRACTIONS ± 1/64	ANG. ± 1°	CHANGES			