



Main

Range of Product	Telemecanique Safety switches XCS
Accessory / separate part category	Diagnostic accessories
Accessory / Separate Part Type	Diagnostic module

Complementary

Product Compatibility	XCSRC.2M12
Accessory / separate part destination	RFID safety switch
Local signalling	Green, orange and red 2 LEDs
Kit composition	Diagnostic module Quick start guide EU declaration
[Ue] rated operational voltage	24 V DC - 20...10 %SELV or PELV
Net Weight	0.22 lb(US) (0.1 kg)

Ordering and shipping details

Category	22455-LIGHT CURTAINS - XUSL
Discount Schedule	DS2
GTIN	3389119634915
Nbr. of units in pkg.	1
Package weight(Lbs)	4.13 oz (117.0 g)
Returnability	No
Country of origin	FR

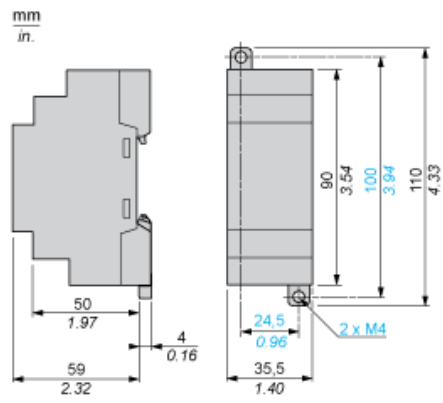
Packing Units

Unit Type of Package 1	PCE
Package 1 Height	2.56 in (6.5 cm)
Package 1 width	1.69 in (4.3 cm)
Package 1 Length	3.74 in (9.5 cm)
Unit Type of Package 2	S01
Number of Units in Package 2	12
Package 2 Weight	3.51 lb(US) (1.591 kg)
Package 2 Height	5.91 in (15 cm)
Package 2 width	5.91 in (15 cm)
Package 2 Length	15.75 in (40 cm)

Offer Sustainability

Sustainable offer status	Green Premium product
California proposition 65	WARNING: This product can expose you to chemicals including: Diisononyl phthalate (DINP), which is known to the State of California to cause cancer, and Di-isodecyl phthalate (DIDP), which is known to the State of California to cause birth defects or other reproductive harm. For more information go to www.P65Warnings.ca.gov
REACH Regulation	REACH Declaration
EU RoHS Directive	Pro-active compliance (Product out of EU RoHS legal scope) EU RoHS Declaration
Mercury free	Yes
RoHS exemption information	Yes
Environmental Disclosure	Product Environmental Profile

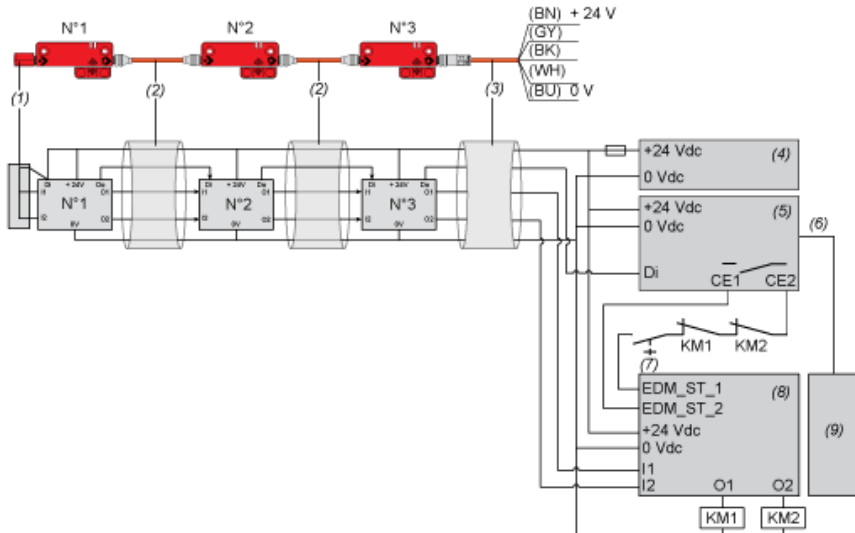
Dimensions



Connections

Wiring Diagram: Series Connection with Serial Diagnosis

Example of connection to a safety relay and the diagnostic module



- Di: Diagnostic signal input
- Do: Diagnostic signal output
- I1: Safety Input 1
- I2: Safety Input 2
- O1: Safety Output 1
- O2: Safety Output 2
- CE1 Connections for Chain Error contact (used as external Start Condition - ESC)
- &
- CE2:
- BN: Brown
- GY: Grey
- BK: Black
- WH: White
- BU: Blue
- (1) Loopback device
- (2) M12/M12 female jumpers
- (3) Pre-wired female connector
- (4) SELV/PELV Power Supply
- (5) Diagnostic module (option)
- (6) Cable for Modbus RTU serial link
- (7) Start
- (8) Safety relay
- (9) HMI or PLC

NOTE: KM1 and KM2 contactors must have force-guided contacts.