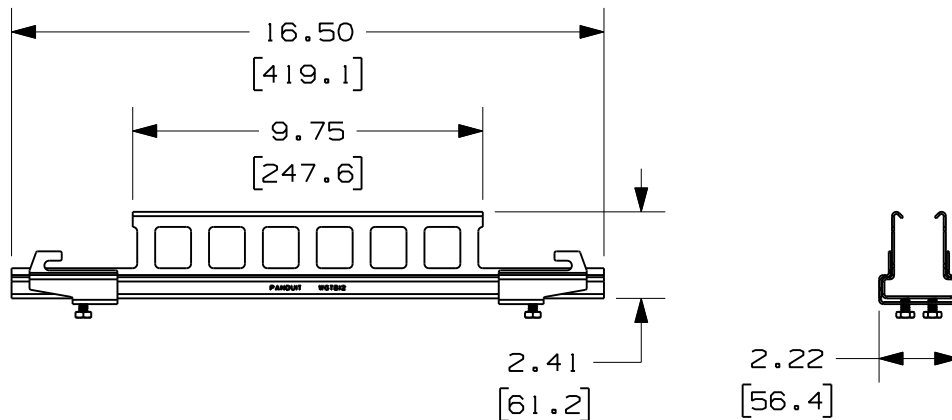
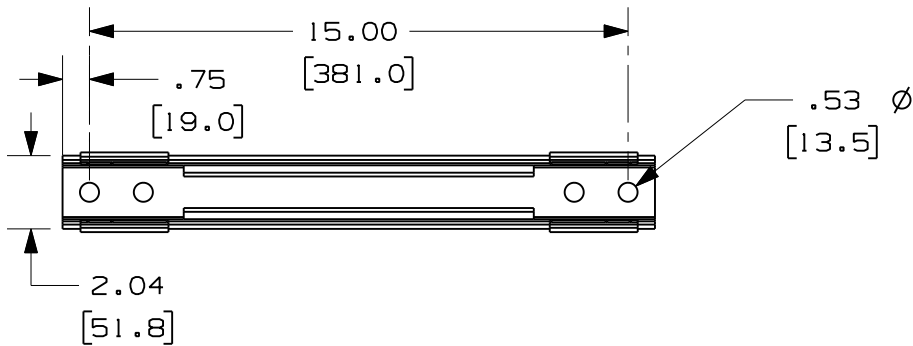


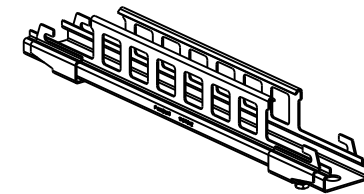
THIS COPY IS PROVIDED ON A RESTRICTED BASIS AND IS NOT TO BE USED IN ANY WAY DETRIMENTAL TO THE INTERESTS OF PANDUIT CORP.

PANDUIT PART NUMBER	WEIGHT
WGTB12	1.69 LBS (766 g)



NOTES:

- SEE CURRENT CATALOG FOR PART NUMBER DESIGNATION FOR TYPE AND COLOR.
- EACH PACKAGE CONSISTS OF:
 (1) WYR-GRID TRAPEZE BRACKET
 (2) WYR-GRID TRAPEZE BRACKET CLIPS
 (2) 1/4-20 X 3/8 HEX HEAD CAP SCREWS
- WYR-GRID TRAPEZE BRACKETS SUPPORT WYR-GRID PATHWAY SUSPENDED FROM THREADED RODS.
- DIMENSIONS IN PARENTHESES ARE METRIC



CAD FILENAME/LAYERS 09D017AB_DC WGTB12/01C

PANDUIT CORP. TINLEY PARK, ILLINOIS

WYR-GRID TRAPEZE BRACKET 12"
 ASSEMBLY (WGTB12)
 CUSTOMER DRAWING

UNLESS OTHERWISE SPECIFIED,
 DIMENSIONAL TOLERANCES ARE:
 (.X) ± (.XXX) ±
 (.XX) ± .05 (1.3) ANGLES ±

UNLESS OTHERWISE SPECIFIED,
 ALL DIMENSIONS ARE GIVEN
 IN INCHES, THIRD ANGLE PROJECTION.

DRAWN BY
 JAHA

MAT'L:

STEEL

SCALE NONE

DATE
 5-19-10

DRAWING NO.
 09D017AB-DC

CHK'D
 DWW

DWG
 A
 SIZE

REV	DATE	BY	CHK	DESCRIPTION	ECN	CHK	CUST	SUP
R	5-19-10	JAHA	DWW	DRAWING RELEASED	09D017AB-DC	RN	RN	