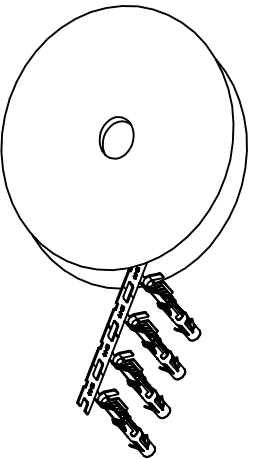


REVISIONS				
REV	ECO	DESCRIPTION	DATE	BY APPR
A1	-	RELEASED DRAWING	Jul-16-18	Flan Tommy

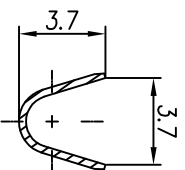


CONTACT ORIENTATION ON ROLL(3000PCS/COIL)

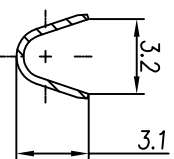
NOTES : (UNLESS OTHERWISE SPECIFIED)

1. MATERIAL :
  - 1.1. CONTACT BODY : COPPER ALLOY.
  - 1.2. OUTER SPRING : STAINLESS STEEL.
2. SPECIFICATIONS :
  - 2.1 CURRENT RATING : 13A MAX.
  - 2.2 TERMINATION TYPE : CRIMPING.
  - 2.3 WIRE RANGE : 14~16AWG.
  - 2.4 WIRE INSULATION DIA(MAX) :  $\phi$ 3.2mm.
3. RoHS COMPLIANT.
4. ALL DIMENSIONS ARE FOR REFERENCE USE ONLY.
5. AVAILABLE TOOLS :
  - 5.1 HAND CRIMPER : MFX-3954.
  - 5.2 CRIMP APPLICATOR : MFX-3957.
  - 5.3 EXTRACTION TOOL : QXRT16.

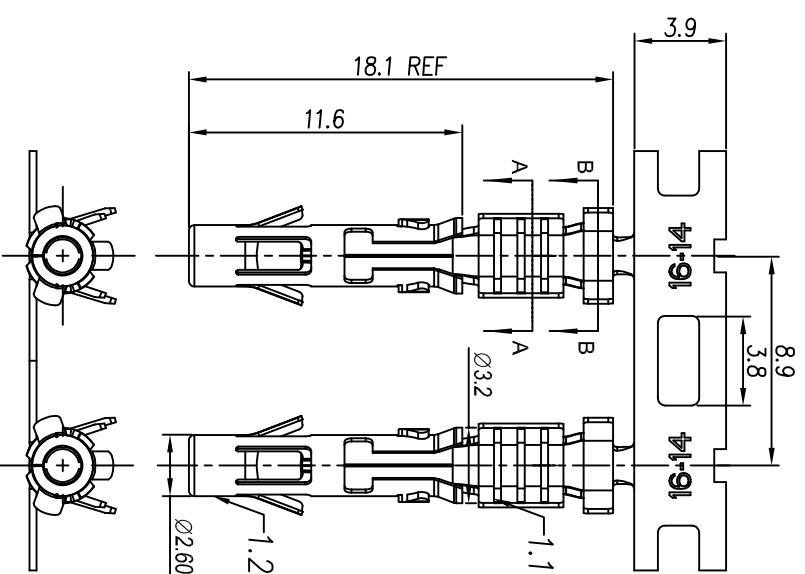
P/N	CONTACT PLATING(MATING AREA)
SS14M2T	TIN PLATING OVER NICKEL.
SS14M2N	NICKEL PLATING OVER COPPERIZE.
SS14M2F	GOLD FLASH PLATING OVER NICKEL.
SS14M2G5	5 $\mu$ "GOLD PLATING OVER NICKEL.
SS14M2G10	10 $\mu$ "GOLD PLATING OVER NICKEL.
SS14M2G15	15 $\mu$ "GOLD PLATING OVER NICKEL.
SS14M2G30	30 $\mu$ "GOLD PLATING OVER NICKEL.



SECTION A-A



SECTION B-B



QUANTITY	PART NUMBER	DESCRIPTION	ITEM

MATERIALS LIST			
UNLESS OTHERWISE SPECIFIED	SIGNATURES	DATE	
1) All dimensions are in millimeters.	DRAWN: Flan	Jul-16-18	
2) Tolerances are as follows:	CHECKED: Jod	Jul-16-18	
1 PL, DEC 20, '93 Fractions, 1/16"	ENGINEER:		
3 PL, DEC 20, '08 Angles, 1°	APPROVAL:	Tommy	Jul-16-18
3) Note reference = $\Delta$	CUSTOMER:		

PROCESS SPECIFICATIONS			
FIRST DRAWING IS SUPERSEDES ALL PREVIOUS DRAWINGS. SPECIFICATIONS AND PERFORMANCE DATA ARE THE PROPERTY OF SINE SYSTEMS. REPRODUCTION OR REUSE OF THIS INFORMATION WITHOUT THE WRITTEN PERMISSION OF SINE SYSTEMS IS PROHIBITED. ALL DIMENSIONS ARE IN MILLIMETERS UNLESS OTHERWISE SPECIFIED.			
SCALE: NONE	SIZE: B	TYPE: C-	DWG NO: SS14M2XX
REVISION: A1	ECO-MATE SOCKET CONTACT, STAMPED, 14-16AWG, SIZE 16		

**Amphenol**

Sine Systems - www.amphenol-sine.com  
44724 Morley Drive  
Clinton Township, MI 48038

ECO-MATE SOCKET CONTACT, STAMPED, 14-16AWG, SIZE 16

SCALE: NONE SIZE: B TYPE: C- DWG NO: SS14M2XX REVISION: A1