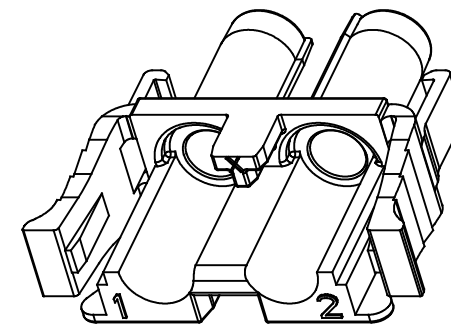
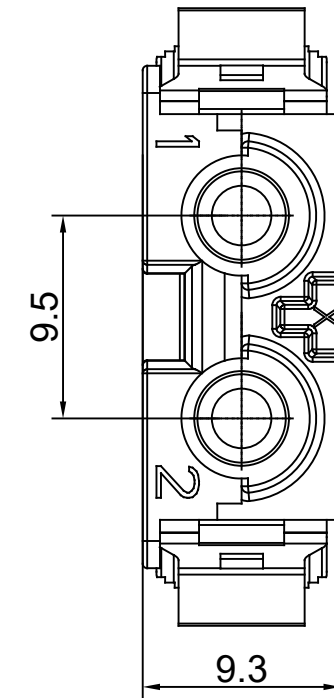
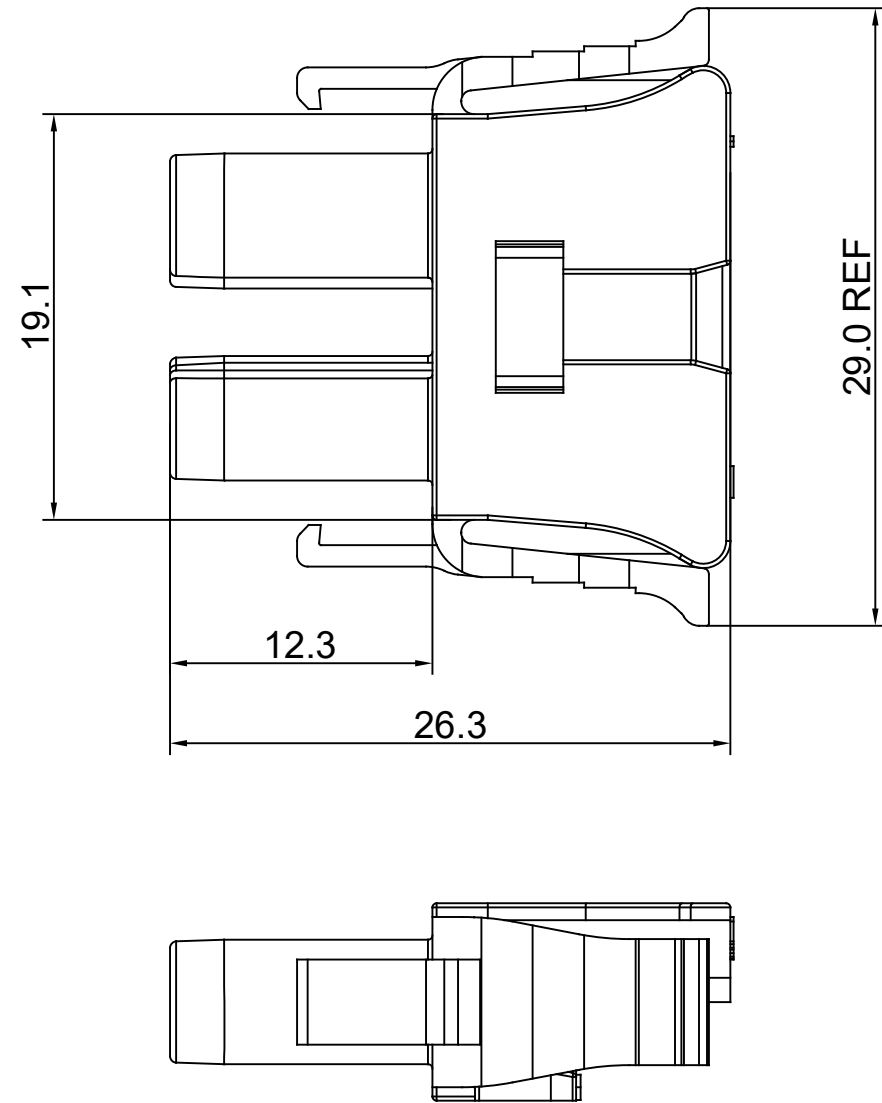


REVISIONS					
REV	ECO	DESCRIPTION	DATE	BY	APPR
A1	--	FIRST RELEASED	APR-10-2020	BLINK	TOMMY



NOTES: (UNLESS OTHERWISE SPECIFIED)

1. MATERIAL:

SHELL: THERMOPLASTIC, UL94 V-0.

2. SPECIFICATIONS:

- 2.1, OPERATING TEMPERATURE: -40~125°C.
- 2.2, MATING CYCLES DURABILITY: 100 CYCLES MIN (MATING WITH PL000733)
- 2.3, RoHS COMPLIANT.

3. ALL DIMENSIONS ARE FOR REFERENCE USE ONLY.

TITLE: TELECOM 2.4mm CONNECTOR PLUG HOUSING
 DWG NO: PL000734
 REV: A1
 SH: 1
 OF: 1

QUANTITY	PART NUMBER	DESCRIPTION	ITEM
MATERIALS LIST			
UNLESS OTHERWISE SPECIFIED 1) All dimensions are in metric(mm). 2) Tolerances are as follows: 1 PL DEC ±0.30 Fractions ±1/64 2 PL DEC ±0.15 Angles ±1° 3 PL DEC ±0.08 3) Note reference =		SIGNATURES DRAWN: BLINK CHECKED: ORION ENGINEER: APPROVAL: TOMMY	DATE APR-10-2020 APR-13-2020 APR-15-2020
MATERIAL SPECIFICATIONS: PROCESS SPECIFICATIONS: NEXT ASS'Y:		Amphenol Sine Systems - www.amphenol-sine.com 44724 Morley Drive Clinton Township, MI 48036 2.4MM FEMALE PLUG HOUSING FOR USE WITH PL000735, PRM SERIES™	
THIS DRAWING IS SUPPLIED FOR INFORMATION ONLY. DESIGN FEATURES, SPECIFICATIONS AND PERFORMANCE DATA SHOWN HEREON ARE THE PROPERTY OF THE AMPHENOL CORPORATION. NO RIGHTS OF REPRODUCTION ARE IMPLIED. ALL DIMENSIONS ARE SUBJECT TO NORMAL MANUFACTURING VARIATIONS.		SIZE B C-	REVISION A1
SCALE: NONE		DWG NO: PL000734	SHEET 1 OF 1