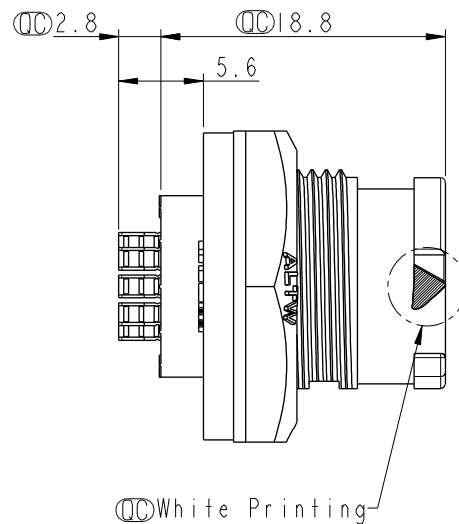
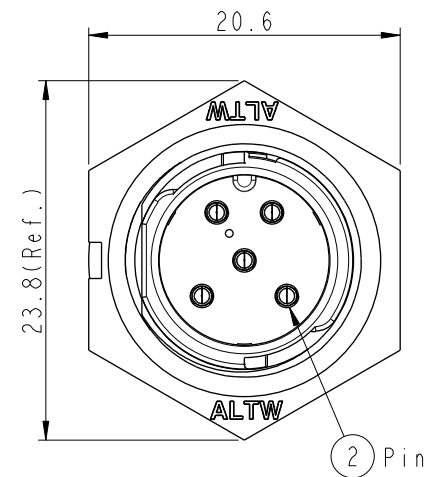
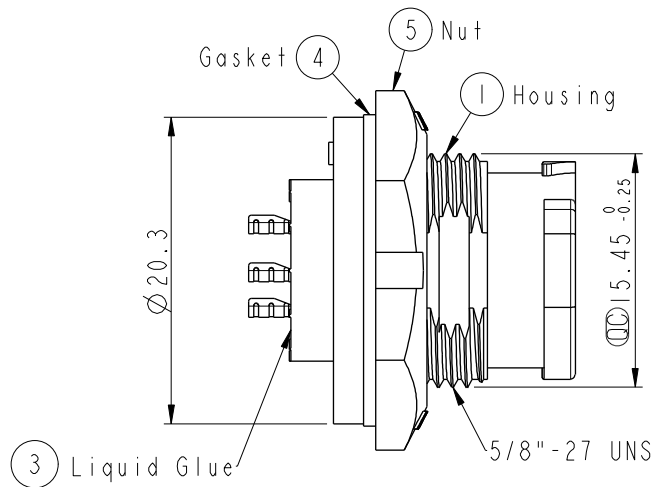
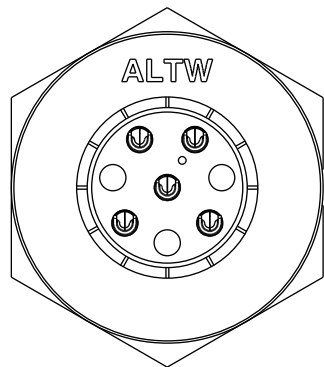


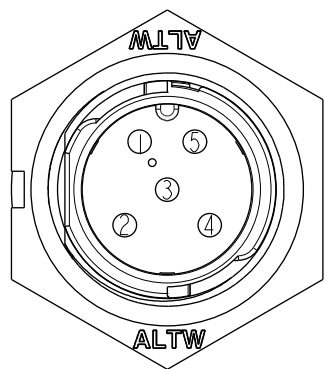
ALTW
CONFIDENTIAL
2019-03-19
R&D DEPT.

REV.	ECN NO.	DATE	SIGN	DESCRIPTION
B	CI90411	2019/03/19	Vicky	Change Note

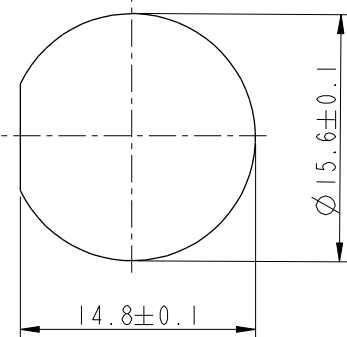


Note:

- * \varnothing Important Dimension To Check.
- * Waterproof Rate: IP68, Unmated. In 1 meter water within 24 hours
- * Housing: Thermoplastic, Black.
- * Pin: Copper Alloy, Gold Plated.
- * Nut: Thermoplastic, Black.
- * Gasket: Rubber, Gary.
- * Use Without Waterproof Cap Panel Thickness Max: 4.0mm
- * Use With Waterproof Cap Panel Thickness Max: 3.0mm
- * Gasket and Nut are packed separately in PE bags.

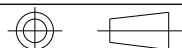


Pin Assignments
Front View



Recommended Panel Cut-out

UNIT:mm



TOLERANCE
X ±0.25

TITLE X Lok B-Size Receptacle Front Fastened M Conn M 5 Pin			
SCALE 2:1	SIZE A4	SHEET 1 OF 1	
REV. B	WC-REV. A.4	\varnothing : Inspection item	

Amphenol LTW
安費諾亮泰企業股份有限公司

ITEM NO BD-05PMMS-QC8001	DRAWN BY Vicky	DATE 2019-03-19
DWG NO BD-05PMMS-QC8001	CHECKED BY Rita	DATE 2019-03-19
CUSTOMER ALTW	APPROVED BY Max	DATE 2019-03-19

THIS DOCUMENT IS SUBJECT TO CHANGE WITHOUT NOTICE. IT IS CONFIDENTIAL AND A PROPERTY OF Amphenol LTW. DISCLOSURE TO THIRD PARTY HAS TO BE AUTHORIZED BY Amphenol LTW.