

**PLEASE CHECK WWW.MOLEX.COM FOR LATEST PART INFORMATION**

**Part Number:** [0930500007](#)  
**Status:** **Active**  
**Overview:** RAST 2.5 Connector System  
**Description:** 2.50mm Pitch Appli-Mate RAST 2.5 Female Connector, 3 Circuits, Positions A and C Removed, Open Endwalls, Glow-Wire Capable

**Documents:**

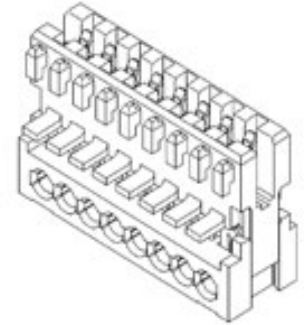
<a href="#">3D Model</a>	<a href="#">Application Specification 990330008-000 (PDF)</a>
<a href="#">Drawing (PDF)</a>	<a href="#">Packaging Specification PK-90871-001-001 (PDF)</a>
<a href="#">Product Specification PS-99020-0040-001 (PDF)</a>	<a href="#">RoHS Certificate of Compliance (PDF)</a>

**Agency Certification**

CSA	LR19980
UL	E29179

**General**

Product Family	IDT and Solder Connectors
Series	<a href="#">93050</a>
Comments	"Various possibilities for temperature range: 4 Amp:-20°C to + 60°C with header 2 Amp:-20°C to +120°C double sided PCB or Header 2 Amp:-20°C to +110°C single sided PCB<P><P>This Molex product is manufactured from material that has the following ratings, tested by independent agencies:. a) A Glow Wire Ignition Temperature (GWIT) of at least 775 deg C per IEC 60695-2-13.. b) A Glow Wire Flammability Index (GWFI) above 850 deg C per IEC 60695-2-12.and hence complies with the requirements set out in the International Standard IEC 60335-1 5th edition - household and similar electrical appliances - safety, section 30 Resistance to heat and fire. <P><P> The customers using this product must determine its suitability for use in their particular application through testing or other acceptable means as described in end-product glow-wire flammability test standard IEC 60695-2-11 and any applicable product end-use standard(s). <P> If it is determined during the customer's evaluation of suitability, that higher performance is required, please contact Molex for possible product options.", "Various possibilities for temperature range: 4 Amp:-20°C to + 60°C with header 2 Amp:-20°C to +120°C double sided PCB or Header 2 Amp:-20°C to +110°C single sided PCB<P><P>This Molex product is manufactured from material that has the following ratings, tested by independent agencies:. a) A Glow Wire Ignition Temperature (GWIT) of at least 775 deg C per IEC 60695-2-13.. b) A Glow Wire Flammability Index (GWFI) above 850 deg C per IEC 60695-2-12.and hence complies with the requirements set out in the International Standard IEC 60335-1 5th edition - household and similar electrical appliances - safety, section 30 Resistance to heat and fire. <P><P> The customers using this product must determine its suitability for use in their particular application through testing or other acceptable means as described in end-product glow-wire flammability test standard IEC 60695-2-11 and any applicable product



Series image - Reference only

**EU ELV**

**Not Relevant**

**EU RoHS**

**Compliant**

**REACH SVHC**

Not Contained Per  
-ED/88/2018 (15  
January 2019)

**Halogen-Free**

**Status**

**Not Low-Halogen**

For more information, please visit [Contact US](#)

China ROHS

ELV

RoHS Phthalates

**China RoHS**

Green Image

Not Relevant

Not Contained

**Search Parts in this Series**

[93050 Series](#)

**Mates With**

Appli-Mate RAST 2.5 Header [93070](#)

	end-use standard(s). <P> If it is determined during the customer's evaluation of suitability, that higher performance is required, please contact Molex for possible product options."
Crimp Quality Equipment Overview	Yes
Product Name	<u>RAST 2.5 Connector System</u>
UPC	RAST 2.5
Use With	883906038892
	RAST Standard Interface
<b>Physical</b>	
Circuits (Loaded)	3
Circuits (maximum)	3
Color - Resin	Natural
Durability (mating cycles max)	10
Flammability	94V-2
Gender	Female
Glow-Wire Capable	Yes
Lock to Mating Part	None
Material - Metal	Phosphor Bronze
Material - Plating Mating	Tin
Material - Plating Termination	Tin
Material - Resin	Polyester
Net Weight	771.000/mg
Number of Rows	1
Packaging Type	Tray
Panel Mount	No
Pitch - Mating Interface	2.50mm
Pitch - Termination Interface	2.50mm
Plating min - Mating	1.016µm
Plating min - Termination	1.016µm
Polarized to Mating Part	No
Stackable	No
Temperature Range - Operating	-20° to +110°C, -20° to +120°C, -20° to +60°C
Termination Interface: Style	IDT or Pierce
Wire Size AWG	22, 24
<b>Electrical</b>	
Current - Maximum per Contact	2.0A, 4.0A
Voltage - Maximum	32V AC
<b>Solder Process Data</b>	
Lead-freeProcess Capability	N/A
<b>Material Info</b>	
<b>Reference - Drawing Numbers</b>	
Application Specification	990330008-000
Packaging Specification	PK-90871-001-001
Product Specification	PS-99020-0040-001
Sales Drawing	930500001-000

This document was generated on 05/22/2019

**PLEASE CHECK WWW.MOLEX.COM FOR LATEST PART INFORMATION**