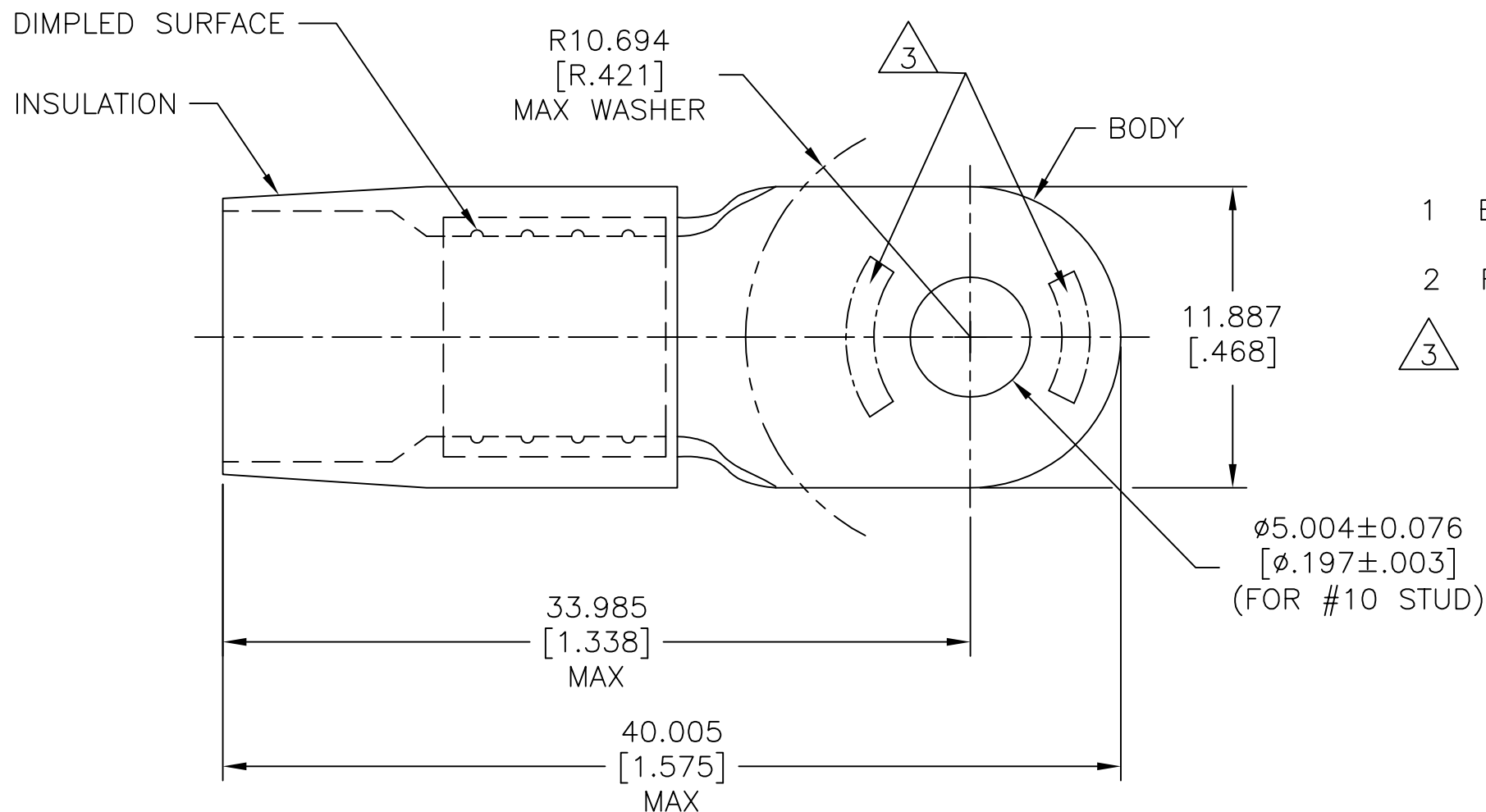


P	LTR	DESCRIPTION	DATE	DWN	APVD
	G1	REVISED PER ECO-11-004820	11MAR11	RK	HMR
	G2	REVISED PER ECO-17-013204	12SEP2017	RS	DR
	G3	REVISED PER ECO-17-014333	16OCT2017	RS	DR

**AMP**  
WIRE RANGE

6 AWG  
STRANDED



- 1 BODY MATERIAL THK 1.143±0.051[.045±.002]
- 2 FOR  $\phi 7.976[\phi .314]$  MAX WIRE INS.
- $\triangle 3$  STAMP AMP 6\* 23-30 APPROX AS SHOWN.

MS25036-119 CLASS 2	100	LOOSE PC	324046
MILITARY P/N AND CLASS	QTY	PACKAGE TYPE	PART NO

**AMP INCORPORATED**  
CUSTOMER SERVICE SYSTEMS

FOR ADDITIONAL PRODUCT INFORMATION OR COPIES OF DRAWINGS AND TECHNICAL DOCUMENTS  
PRODUCT INFORMATION CENTER  
1-800-522-6752

FOR APPLICATION TOOLING INFORMATION  
TOOLING ASSISTANCE CENTER  
1-800-722-1111

FOR ORDER ENTRY  
1-800-526-5142

MAX RECOMMENDED OPERATING TEMPERATURE:  
105°C[221°F]

VOLTAGE RATING:  
-

CIRCULAR MIL AREA:  
10.5-16.8mm²[20,800-33,100] STRANDED

THIS DRAWING IS A CONTROLLED DOCUMENT.

DIMENSIONS: mm [INCHES]

TOLERANCES UNLESS OTHERWISE SPECIFIED:

0 PLC	± -
1 PLC	± -
2 PLC	± -
3 PLC	± 0.127[.005]
4 PLC ANGLES	± -

MATERIAL  
BODY: COPPER PER ASTM B-152  
INSULATION: NYLON ASTM D4066 TYPE I

FINISH  
BODY: TIN PLATE PER ASTM B545  
INSULATION: COLOUR-BLUE

DWN S.S. GOULDEN 6-18-93  
CHK R. HERSEY 6-18-93  
APVD B. BARE 6-18-93

**STE** TE Connectivity

NAME: TERMINAL, RING TONGUE, TERMINYL  
WIRE SIZE: 6 AWG

PRODUCT SPEC: SAE AS7928

APPLICATION SPEC: -

SIZE	CAGE CODE	DRAWING NO	RESTRICTED TO
A3	00779	C-324046	-

WEIGHT: -

CUSTOMER DRAWING SCALE: NTS SHEET: 1 OF 1 REV: G3