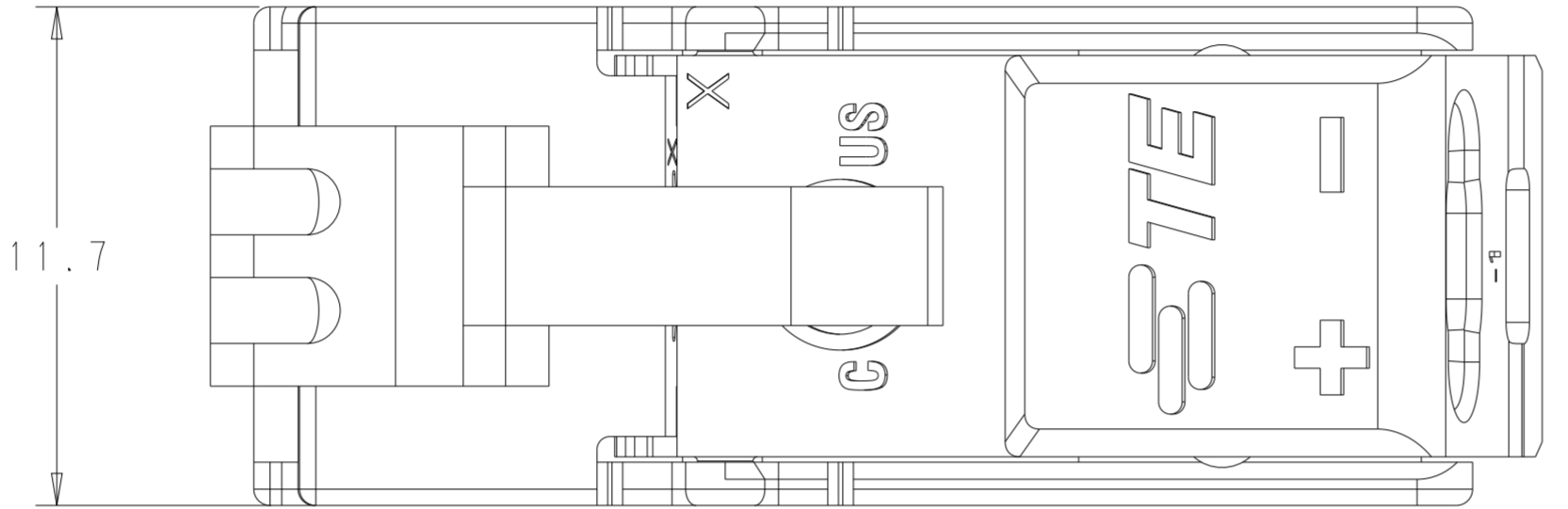
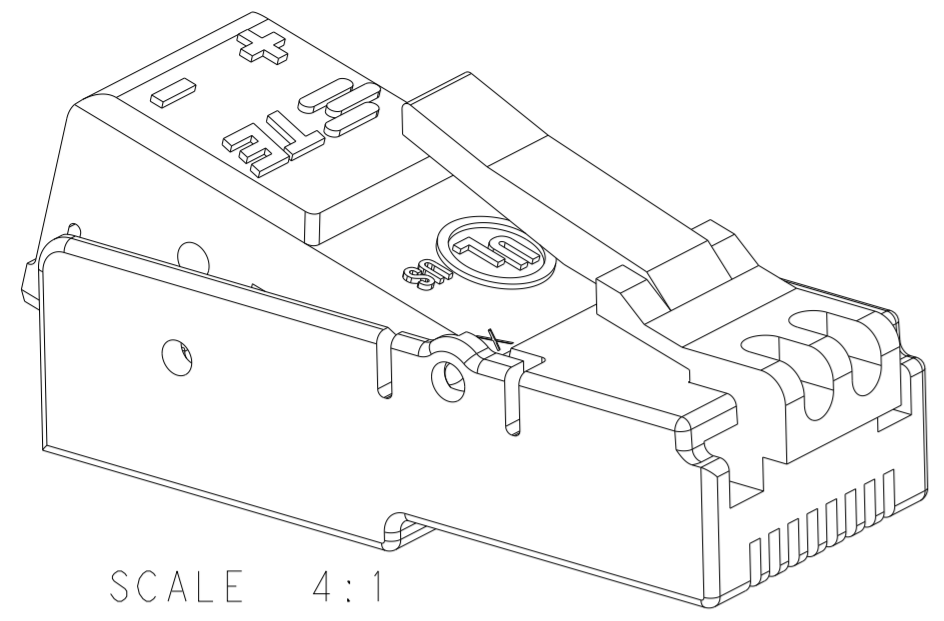
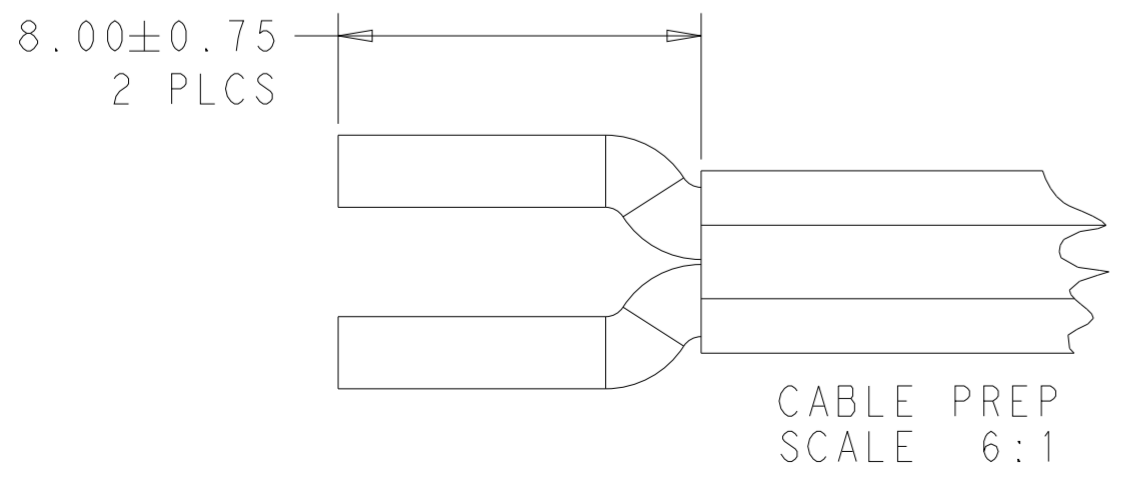
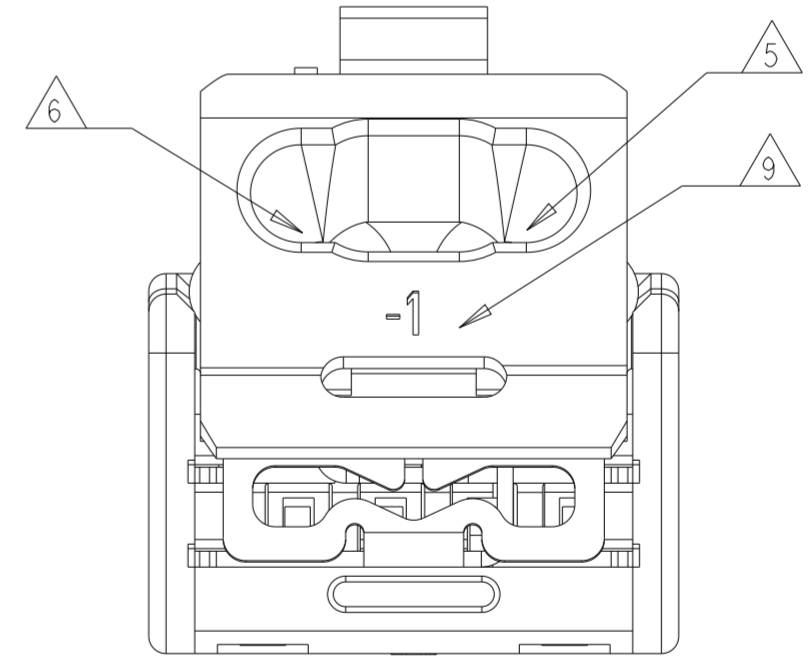
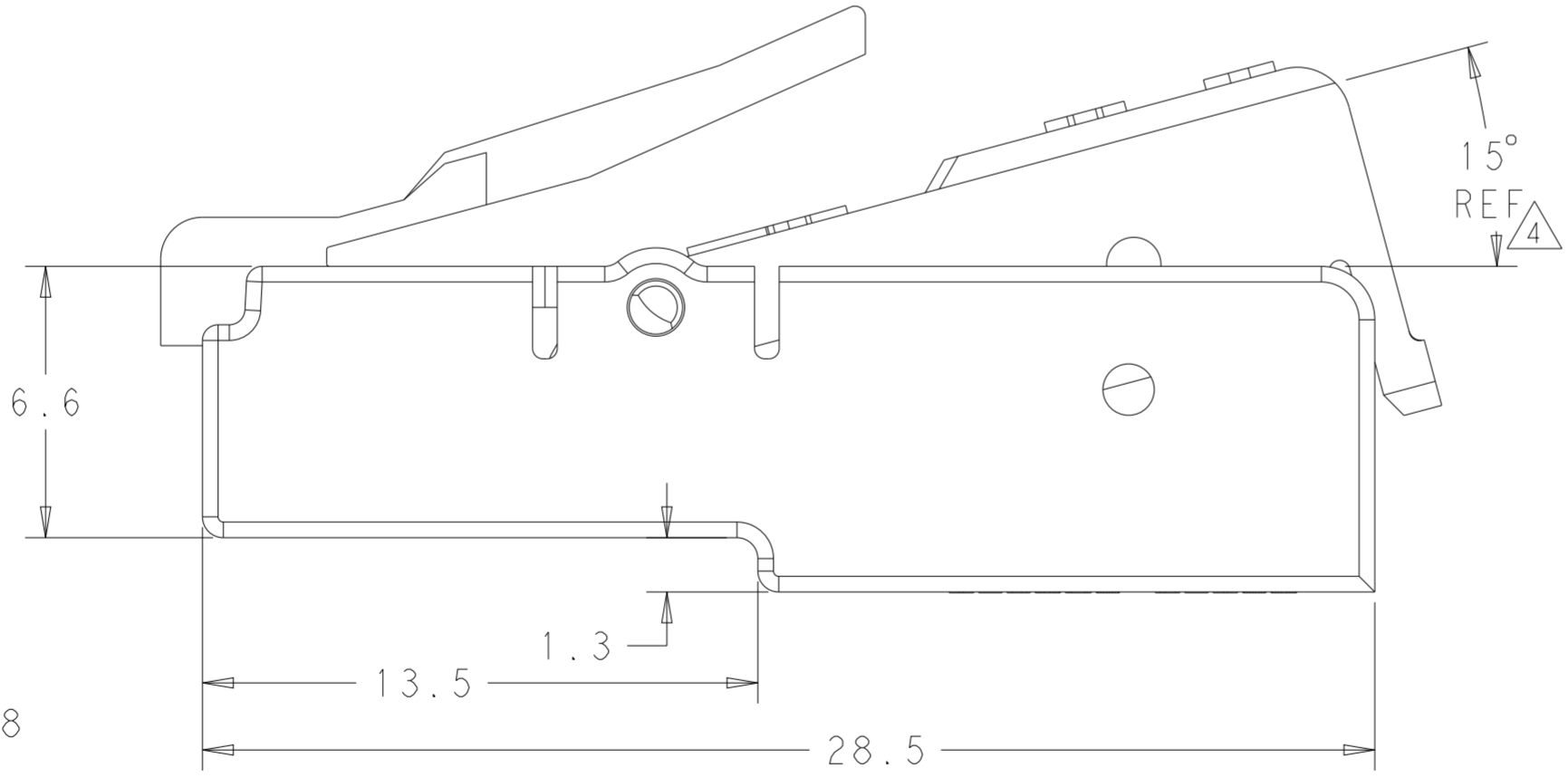
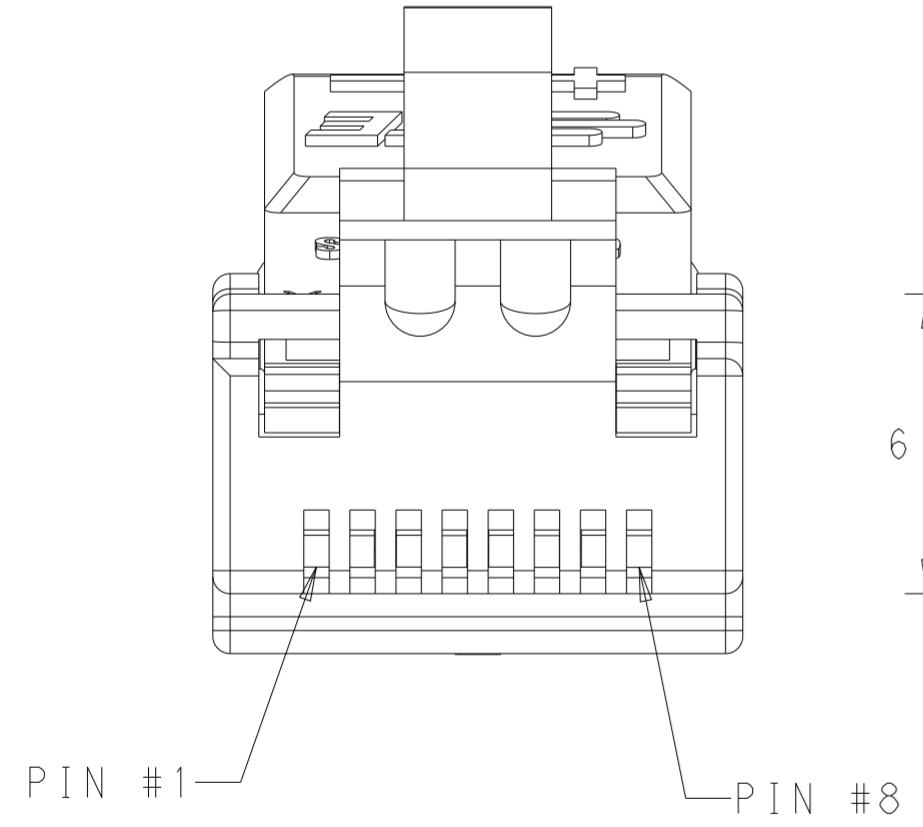


THIS DRAWING IS UNPUBLISHED. RELEASED FOR PUBLICATION 20  
 © COPYRIGHT 20 BY - ALL RIGHTS RESERVED.

| LOC |     | DIST                      |           | REVISIONS |      |  |  |
|-----|-----|---------------------------|-----------|-----------|------|--|--|
| P   | LTR | DESCRIPTION               | DATE      | DWN       | APVD |  |  |
| A   |     | REVISED PER ECR-13-018848 | 09DEC2013 | RS        | DD   |  |  |
| A1  |     | ECR-22-128569             | 03FEB2022 | NT        | JDB  |  |  |



- 1 MATERIALS AND FINISH:
  - HOUSING: PC, COLOR: ORANGE
  - STUFFER: PC, COLOR: REFERENCE TABLE
  - CONTACTS: COPPER ALLOY, FINISH: Sn OVER Ni WITH Au/Pd Ni ON CONTACT MATING INTERFACE
- 2. MUST COMPLY WITH DIRECTIVE 2002/95/EC (ROHS)
- 3. THIS PRODUCT HAS NOT COMPLETED VALIDATION TESTING
- 4 STUFFER SHOWN IN AS SUPPLIED CONDITION
- 5 WIRE ENTRY POSITION TO INTERFACE POSITIONS 1, 3, 5, 7
- 6 WIRE ENTRY POSITION TO INTERFACE POSITIONS 2, 4, 6, 8
- 7 DESIGNED FOR USE WITH BELDEN 6300UE CABLE WITH 2 - 18AWG CONDUCTORS
- 8 DESIGNED FOR USE WITH LEONI H03VVH2-F CABLE WITH 2 - 0.75mm<sup>2</sup> CONDUCTORS
- 9 APPROPRIATE ASSEMBLY DASH PART NUMBER (-1 OR -2) INDICATOR THIS AREA
- 10 PROP 65 WARNING LABEL: SEE SHEET2



|               |       |           |
|---------------|-------|-----------|
| BLUE          | 8     | 2213145-2 |
| CLEAR         | 7     | 2213145-1 |
| STUFFER COLOR | CABLE | PART NO.  |


|  |  |                               |   |                     |
|--|--|-------------------------------|---|---------------------|
| THIS DRAWING IS A CONTROLLED DOCUMENT. |  | DWN<br>C DAILY<br>30AUG2012   | TE Connectivity                         |                     |
|  |  | CHK<br>E HOWARD<br>30AUG2012  |   |                     |
| DIMENSIONS:                            | TOLERANCES UNLESS OTHERWISE SPECIFIED:   | APVD                          | NAME                                    |                     |
| mm                                     | 0 PLC ±<br>1 PLC ±0.2<br>2 PLC ±0.15<br>3 PLC ±<br>4 PLC ±<br>ANGLES ±2°<br>FINISH | -                             | CONNECTOR ASSEMBLY,<br>PIVOT POWER RJ45 |                     |
| MATERIAL                               |  | PRODUCT SPEC<br>108-133010    | SIZE                                    | RESTRICTED TO       |
|  |  | APPLICATION SPEC<br>114-32052 | A200779                                 |                     |
|  |  | WEIGHT                        | CAGE CODE                               | DRAWING NO          |
|  |  | -                             |   | G-2213145           |
|  |  | Customer Drawing              | SCALE 6:1                               | SHEET 1 OF 2 REV A1 |

| LOC | DIST | REVISIONS |     |             |      |     |      |
|-----|------|-----------|-----|-------------|------|-----|------|
|     |      | P         | LTR | DESCRIPTION | DATE | DWN | APVD |
| -   | -    |           | -   | SEE SHEET 1 | -    | -   | -    |
|     |      |           |     |             |      |     |      |
|     |      |           |     |             |      |     |      |
|     |      |           |     |             |      |     |      |


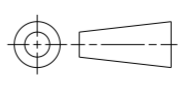
NOTES: CONTINUATION FROM SHEET 1:

 PROP 65 WARNING LABEL:

- THE WARNING LABEL ON THE PRODUCT OR LOWEST LEVEL PACKAGING.
- CHEMICAL NAME: ANTIMONY TRIOXIDE



**WARNING:** This product can expose you to chemicals including ANTIMONY TRIOXIDE which is known to the state of California to cause cancer. For more information, visit [www.P65Warnings.ca.gov](http://www.P65Warnings.ca.gov).

|   |   |                               |   |                         |
|---|---|-------------------------------|---|-------------------------|
| THIS DRAWING IS A CONTROLLED DOCUMENT.  |   | DWN<br>C. DAILY<br>30AUG2012  |  TE Connectivity |                         |
|   |   | CHK<br>E. HOWARD<br>30AUG2012 |   |                         |
| DIMENSIONS:<br>mm   | TOLERANCES UNLESS OTHERWISE SPECIFIED:                                    | APVD<br>-                     | NAME<br>CONNECTOR ASSEMBLY,<br>PIVOT POWER RJ45   |                         |
|  | 0 PLC ±<br>1 PLC ±0.2<br>2 PLC ±0.15<br>3 PLC ±<br>4 PLC ±<br>ANGLES ±2A° | PRODUCT SPEC<br>108-133010    | SIZE<br>A2  |                         |
| MATERIAL  | FINISH  | APPLICATION SPEC<br>114-32052 | CAGE CODE<br>00779  | DRAWING NO<br>C-2213145 |
| -   | -   | WEIGHT<br>-                   | RESTRICTED TO<br>-  |                         |
|   |   | Customer Drawing              | SCALE<br>6:1  | SHEET<br>2 OF 2         |
|   |   |                               | REV<br>A1   |                         |