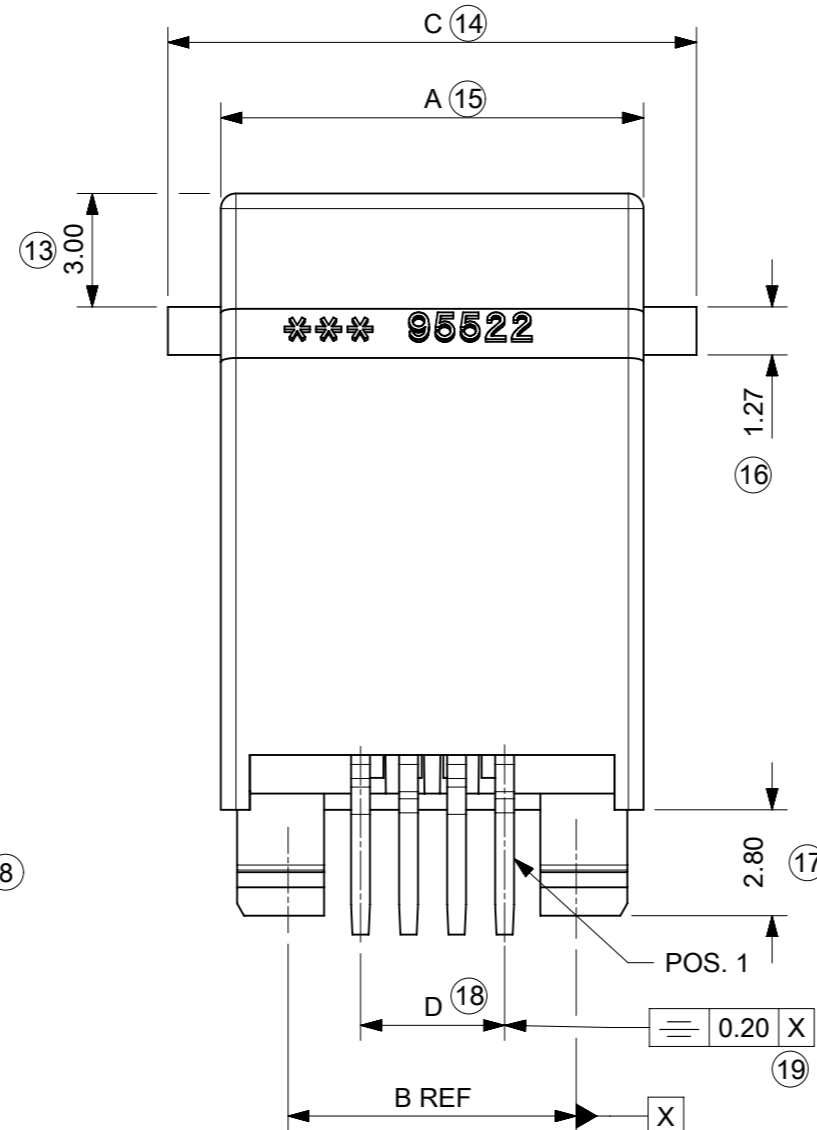
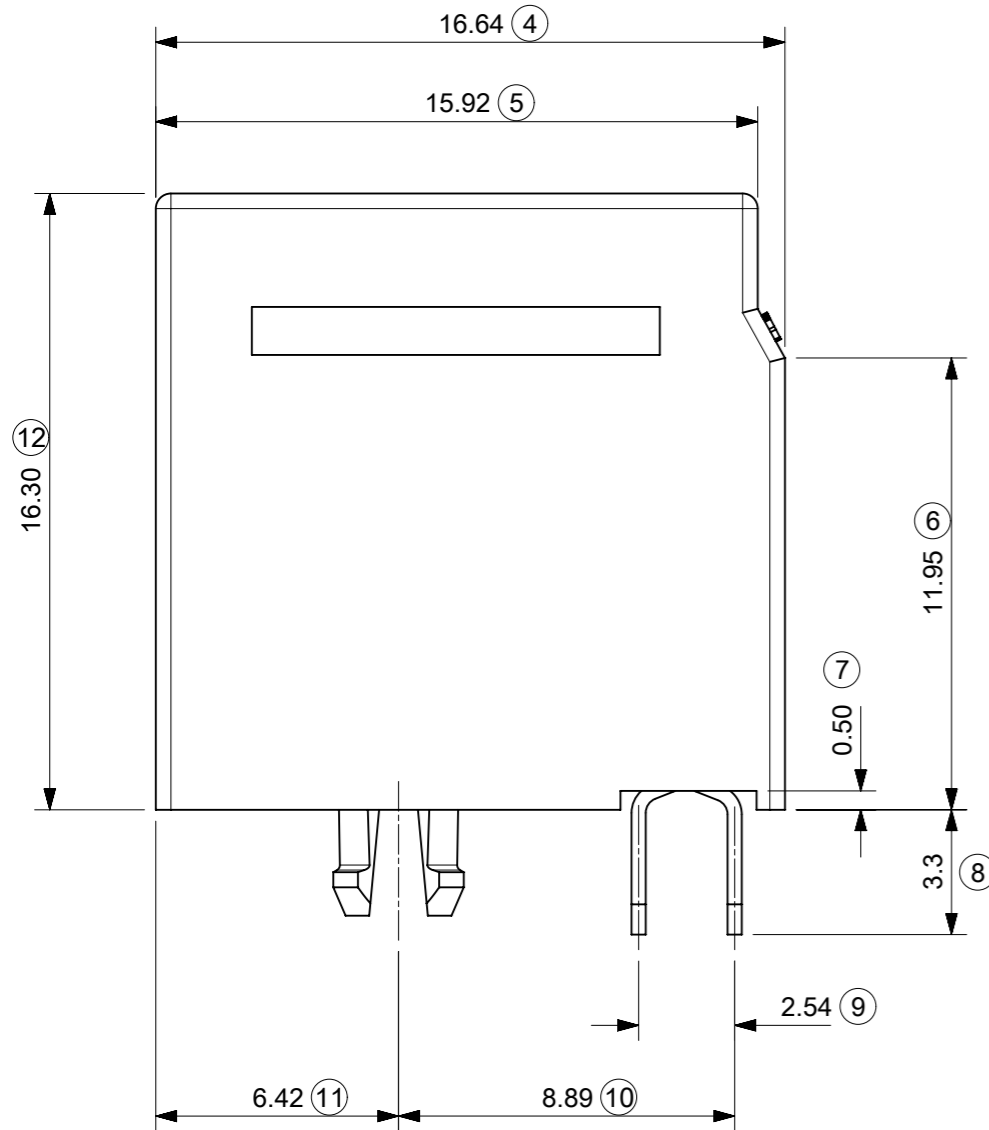
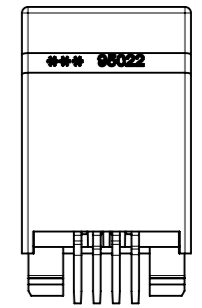
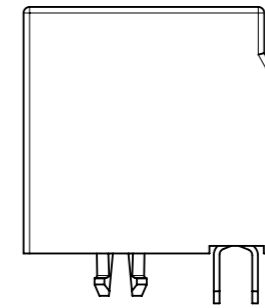


VERSION WITHOUT RIBS

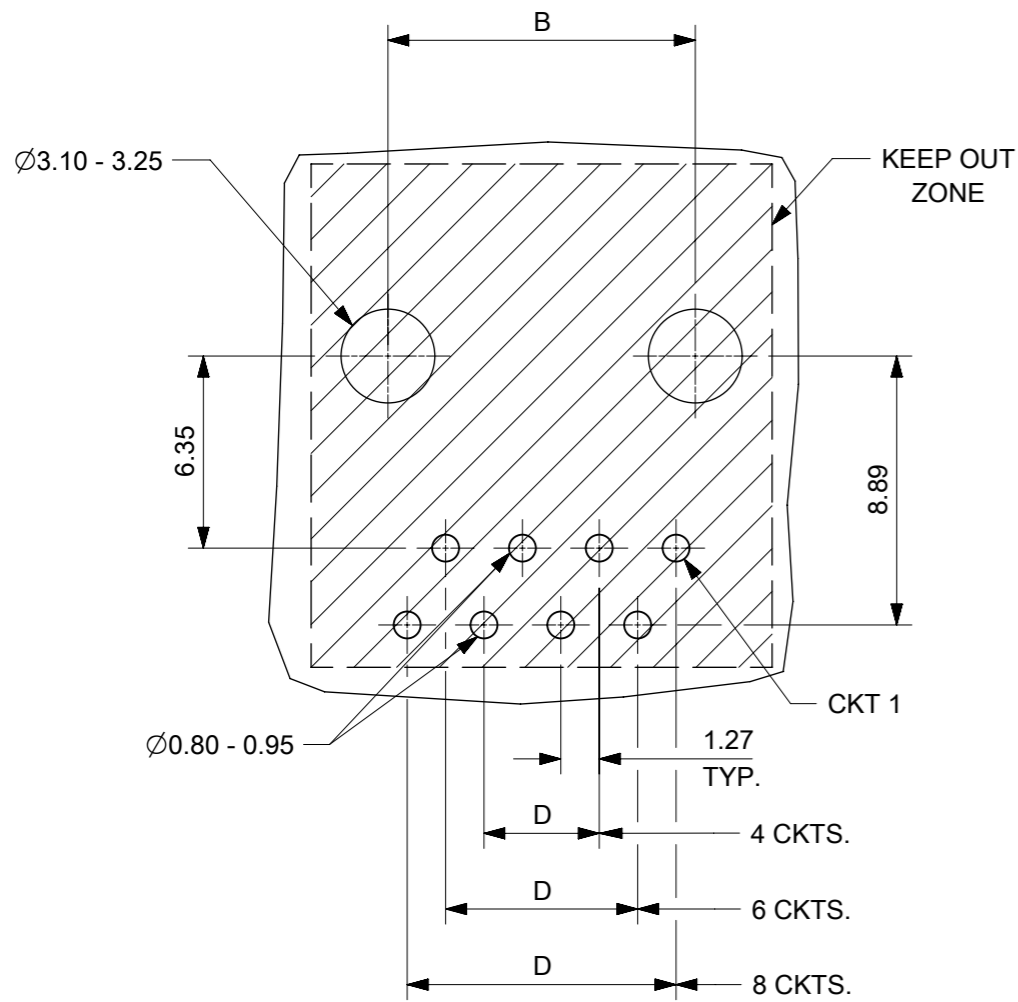


NOTES:

1. MATERIAL:
HOUSING: LCP FIBER GLASS FILLED 94-V0 COLOR BLACK
TERMINAL: COPPER ALLOY PLATED WITH:
BASE FINISH: NICKEL
CONTACT SURFACE FINISH:
GOLD
OR
GOLD FLASH OVER PALLADIUM NICKEL
EXCEEDS PRODUCT REQUIREMENTS BASED ON PS-95522-002
2. PC BOARD THICKNESS: 1.57
3. JACK FOR MATING WITH IEC 60603-7 AND TIA-1096-A PLUGS
4. PRODUCT SPECIFICATION PS-95522-002.
5. APPLICATION SPECIFICATION AS-85513-001
6. PACKAGING SPECIFICATION PK-95022. (SHT. 1 TRAY PACKAGING)
PK-95022. (SHT. 2 TUBE PACKAGING)
7. FOR ILLUSTRATION PURPOSES A 4 CIRCUIT IS SHOWN
8. PACKAGING SPECIFICATION RPK-95022-001 (TUBE PACKAGING)
9. MANUFACTURING I.D. CAN BE EITHER MG, MXF, MXI OR MXCH.

LAST INSPECTION NUMBER: 19

THIS DRAWING CONTAINS INFORMATION THAT IS PROPRIETARY TO MOLEX ELECTRONIC TECHNOLOGIES, LLC AND SHOULD NOT BE USED WITHOUT WRITTEN PERMISSION											
DIMENSION UNITS	SCALE	CURRENT REV DESC: REMASTERED USING 3D MODELS									
mm	5:1	molex									
GENERAL TOLERANCES (UNLESS SPECIFIED)											
ANGULAR TOL ± 2.0°		HIGH PROFILE TOP ENTRY JACK									
4 PLACES ±		PRODUCT CUSTOMER DRAWING									
3 PLACES ±		DOCUMENT NUMBER DOC TYPE DOC PART REVISION									
2 PLACES ± 0.25		SD-95522-001				PSD		002		G1	
1 PLACE ± 0.35		MATERIAL NUMBER				CUSTOMER		SHEET NUMBER		1 OF 2	
0 PLACES ±		SEE CHART				GENERAL MARKET		1 OF 2		1 OF 2	
DRAFT WHERE APPLICABLE MUST REMAIN WITHIN DIMENSIONS		THIRD ANGLE PROJECTION		DRAWING		SERIES		MATERIAL NUMBER		CUSTOMER	
				A3-SIZE		95522		SEE CHART		GENERAL MARKET	



MOUNTING HOLE PATTERNS
(SEE FROM COMPONENT SIDE
ALL DIMENSIONS REF DIMENSIONS)

PART NUMBERS FOR JACK WITH RIBS									
TYPE	PACKAGING	POS. 4	TOOLED	POS. 6	TOOLED	POS. 6	TOOLED	POS. 8	TOOLED
		4 CKTS.		4 CKTS.		6 CKTS.		8 CKTS.	
	TRAY	95522-2447	X	95522-2647	X	95522-2667	X	95522-2887	X
	TUBE					95522-2617 SEE NOTE 8 SH. 1	X		

PART NUMBERS FOR JACK WITHOUT RIBS					
TYPE	PACKAGING	POS. 6	TOOLED	POS. 8	TOOLED
		6 CKTS.		8 CKTS.	
	TRAY	95522-2661	X	95522-2881	
	TUBE	95522-2611	X		

DIM. \ TYPE	POS. 4	POS. 6		POS. 8
	4 CKTS.	4 CKTS.	6 CKTS.	8 CKTS.
A	11.18	13.21	13.21	15.24
B	7.62	10.16	10.16	11.43
(WITH RIBS)	14.00	16.00	16.00	18.00
C				
D	3.81	3.81	6.35	8.89
H	7.82	9.88	9.88	11.94
J	5.64	6.70	6.70	6.30
K	3.07	4.06	4.06	4.06

THIS DRAWING CONTAINS INFORMATION THAT IS PROPRIETARY TO MOLEX ELECTRONIC TECHNOLOGIES, LLC AND SHOULD NOT BE USED WITHOUT WRITTEN PERMISSION										
DIMENSION UNITS	SCALE	CURRENT REV DESC: REMASTERED USING 3D MODELS								
mm	4:1									
GENERAL TOLERANCES (UNLESS SPECIFIED)										
ANGULAR TOL	± 2.0°	HIGH PROFILE TOP ENTRY JACK								
4 PLACES	±									
3 PLACES	±	PRODUCT CUSTOMER DRAWING								
2 PLACES	± 0.25									
1 PLACE	± 0.35	EC NO: 686851 DRWN: SANTHN 2021/06/10 CHK'D: KLANG 2022/01/13 APPR: KLANG 2022/01/13								
0 PLACES	±									
DRAFT WHERE APPLICABLE MUST REMAIN WITHIN DIMENSIONS		THIRD ANGLE PROJECTION	DRAWING	SERIES	MATERIAL NUMBER	CUSTOMER	DOCUMENT NUMBER	DOC TYPE	DOC PART	REVISION
			A3-SIZE	95522	SEE CHART	GENERAL MARKET	SD-95522-001	PSD	002	G1
DOCUMENT STATUS		P1	RELEASE DATE	2022/01/13	15:12:58					