

MATERIALS AND FINISHES ;

BODY BRASS
PLATED GOLD

CENTER CONTACT BERYLLIUM COPPER
PLATED GOLD

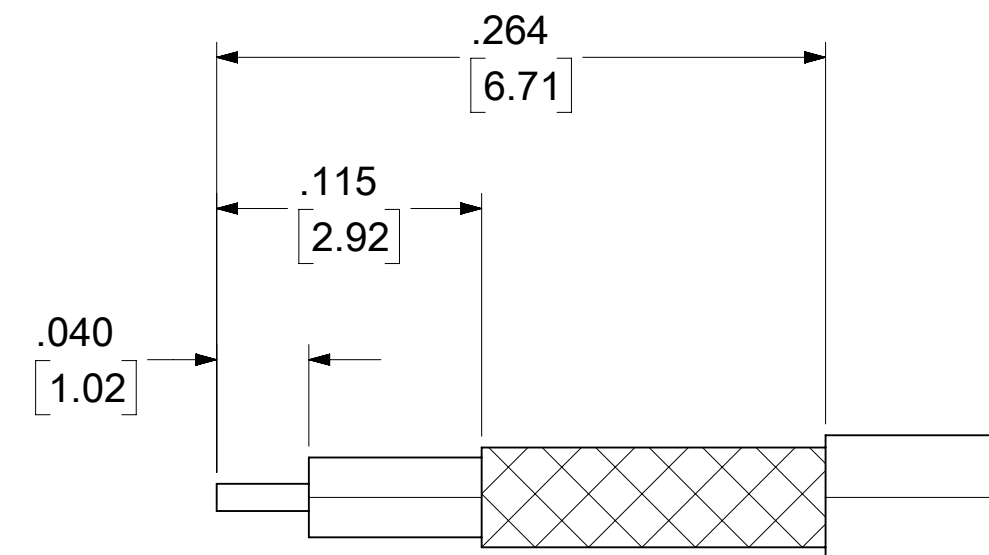
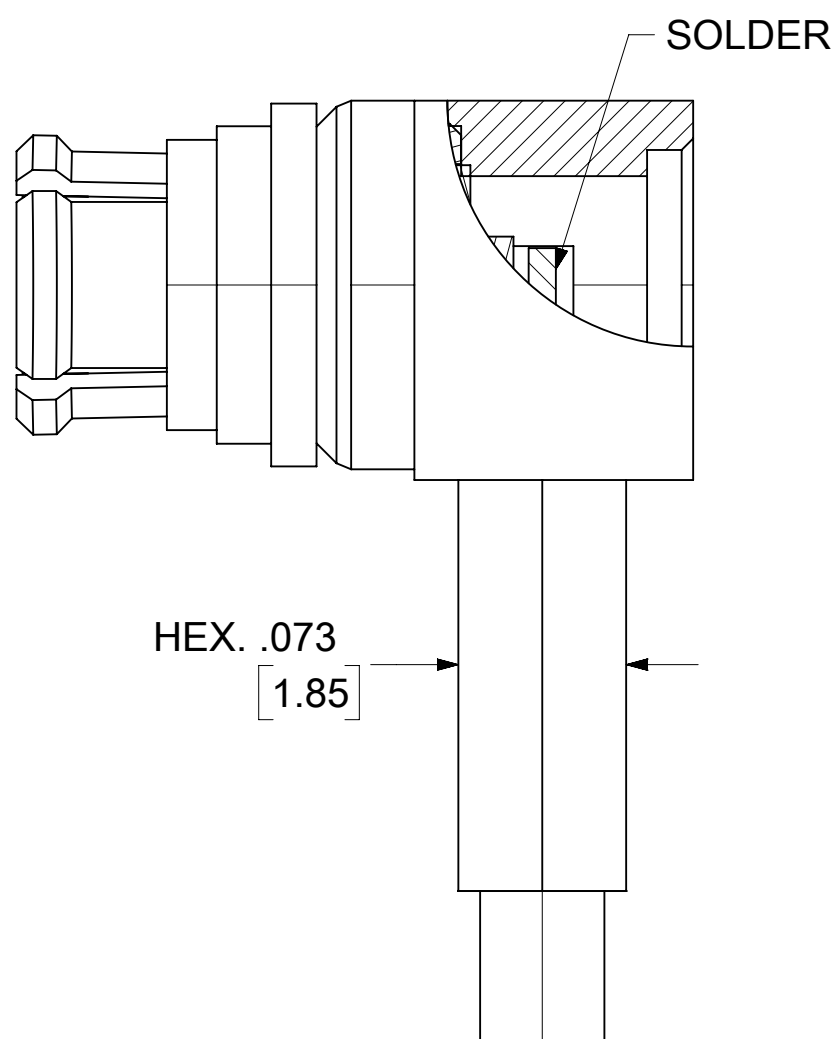
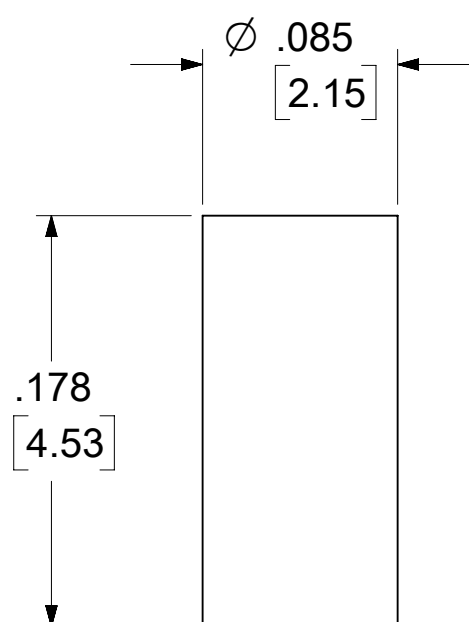
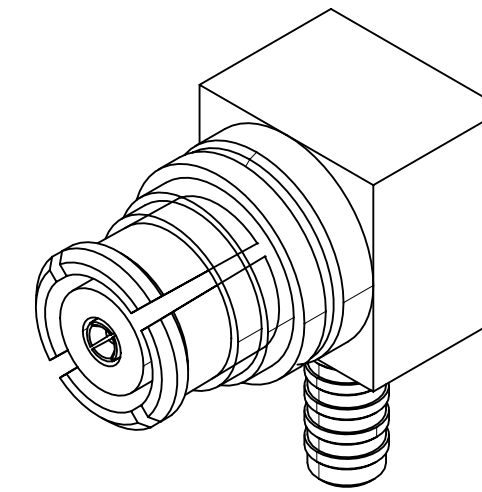
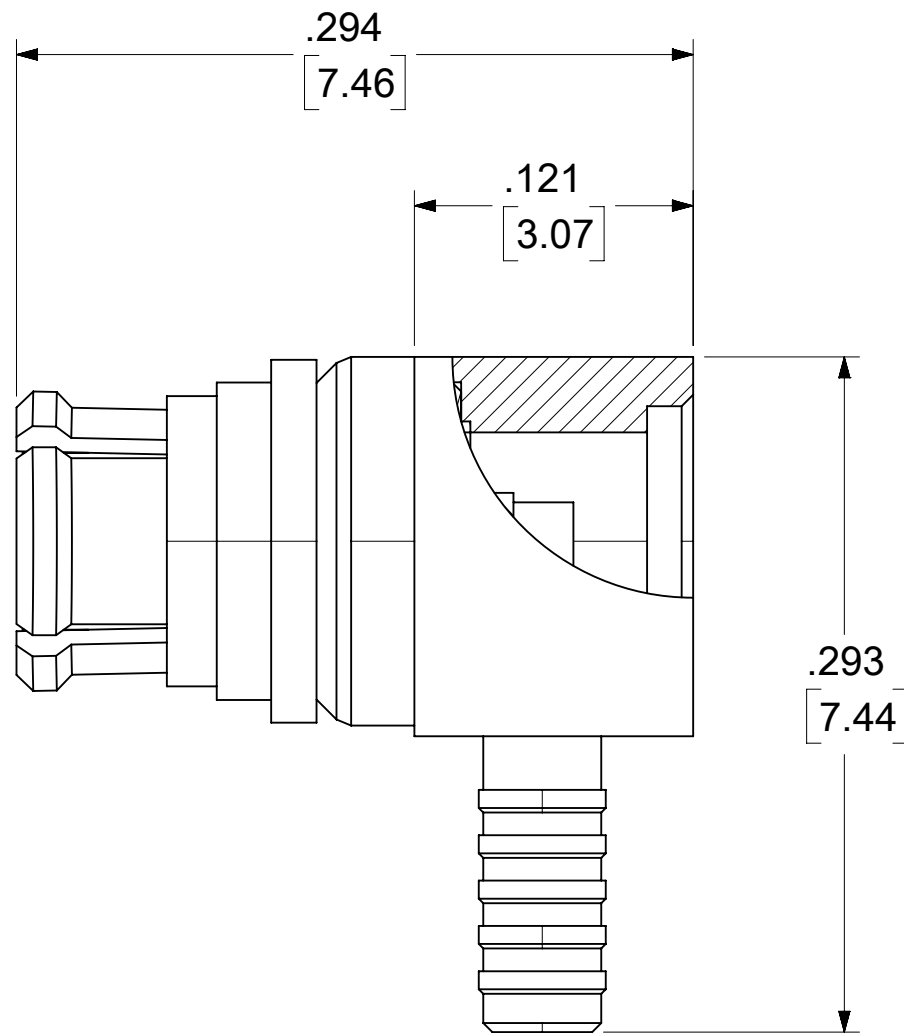
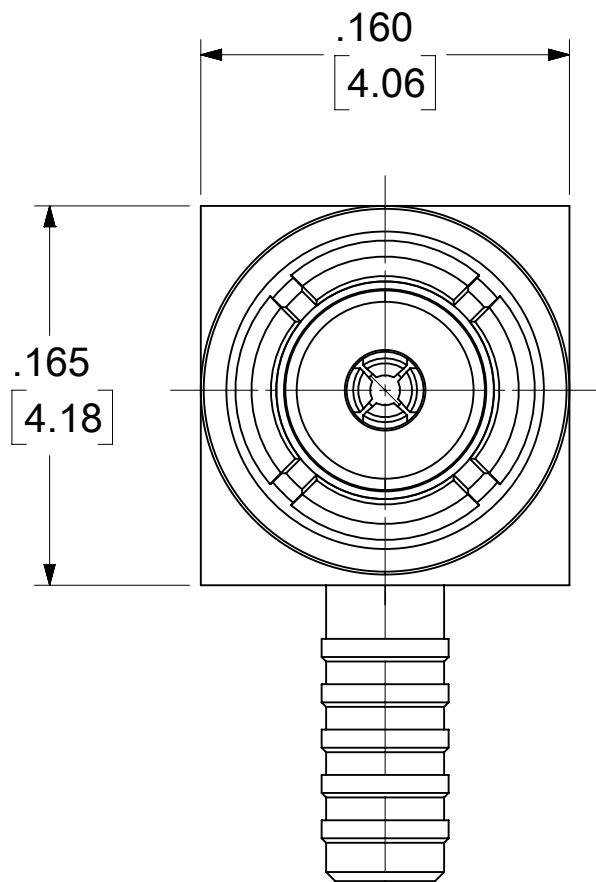
INSULATOR TEFLON

CAP BRASS
PLATED GOLD

EMI RING BRASS
PLATED GOLD

OUTER CONTACT BERYLLIUM COPPER
PLATED GOLD

CRIMP TUBE BRASS
PLATED GOLD



RECOMMENDED CABLE STRIP DIMENSIONS

LABEL FORMAT FOR
73406-0171

PART NUMBER: 73406-0170
ORDER NUMBER: 73406-0171
MOLEX
DATE: YYWW

| 73406-0171 | 73406-0170 ONE PER BAG | 895420470 |
|------------|------------------------|--------------|
| 73406-0170 | 73406-0170 TRAY | 895420040 |
| PART NO. | DESCRIPTION | PACKING SPEC |

| MIL-STD-348A, FIG. 326.1 | INTERFACE |
|--------------------------|-------------|
| SPECIFICATION | DESCRIPTION |

| | | | | |
|--------------------|---|----------------|---|---------------------|
| FUNCTIONAL SYMBOLS | THIS DRAWING CONTAINS INFORMATION THAT IS PROPRIETARY TO MOLEX ELECTRONIC TECHNOLOGIES, LLC AND SHOULD NOT BE USED WITHOUT WRITTEN PERMISSION | | CURRENT REV DESC: ADD 73406-0171 PER EWR# 15321-C | |
| FA = 0 | DIMENSION UNITS | SCALE | EC NO: 718723 | |
| EA = 0 | INCH/MM | NTS | DRWN: ELIN | 2022/08/19 |
| EP = 0 | GENERAL TOLERANCES (UNLESS SPECIFIED) | | CHK'D: YCHENG | 2022/08/30 |
| | ANGULAR TOL ± 2.0° | | APPR: YCHENG | 2022/08/30 |
| | 4 PLACES ± | | INITIAL REVISION: | |
| | 3 PLACES ± | | DRWN: RYEH | 2010/10/04 |
| | 2 PLACES ± | | APPR: MHUANG | 2010/10/23 |
| | 1 PLACE ± | | THIRD ANGLE PROJECTION | |
| | 0 PLACES ± | | DRAWING | SERIES |
| | DRAFT WHERE APPLICABLE MUST REMAIN WITHIN DIMENSIONS | | C-SIZE | 73406 |
| DOCUMENT STATUS | | P1 | RELEASE DATE | 2022/08/30 02:55:03 |
| DOCUMENT NUMBER | | CUSTOMER | SHEET NUMBER | |
| SD-73406-017 | | GENERAL MARKET | 1 OF 1 | |

molex

SMP JACK R/A
FOR 1.13 CABLE 50 OHMS SMP-J/1.13

PRODUCT CUSTOMER DRAWING

DOC TYPE DOC PART REVISION
PSD 001 B1