

10 9 8 7 6 5 4 3 2 1

F

E

D

C

B

A

F

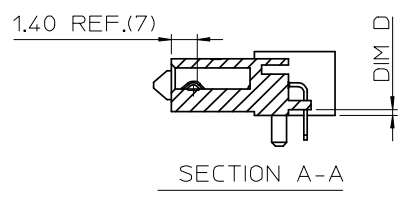
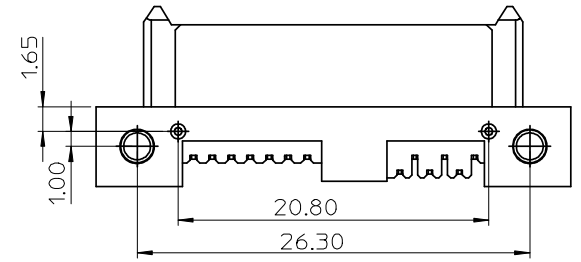
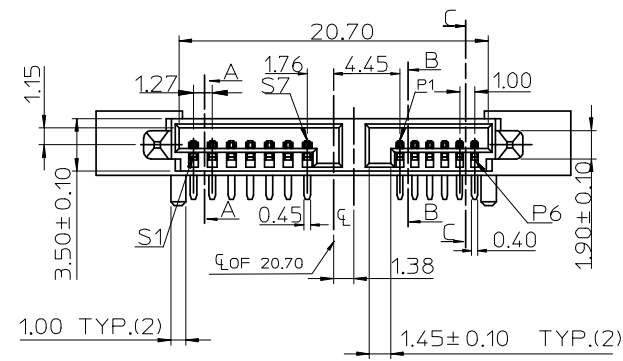
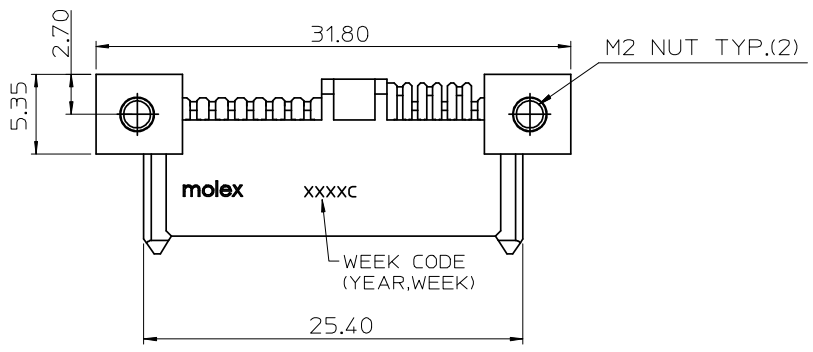
E

D

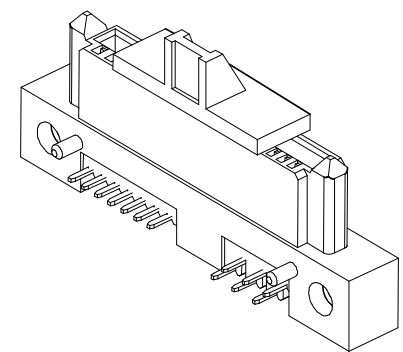
C

B

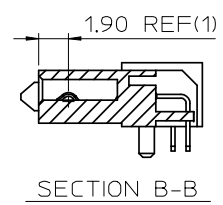
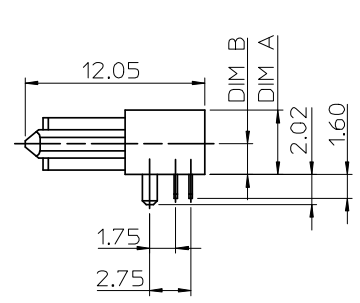
A



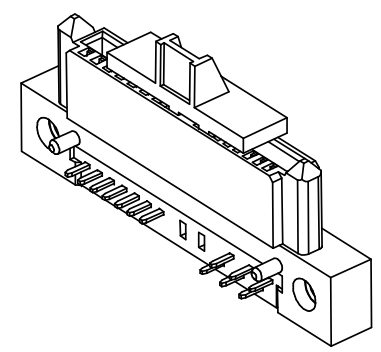
SECTION A-A



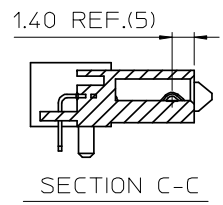
WITHOUT ALIGNMENT (48321-2XXX)



SECTION B-B



WITH ALIGNMENT (48321-1XXX)



SECTION C-C

|                       |             |
|-----------------------|-------------|
| CHANGE NUT'S MATERIAL | 2008/07/29  |
| EC NO: SH2008-0659    | DESCRIPTION |
| DRW:LLU10             |             |
| CHKD:YLZHU            |             |
| APPR:HWANG            |             |
| A1                    | REV         |

|                 |
|-----------------|
| QUALITY SYMBOLS |
| ▽=0             |
| ∇=0             |

|  |        |       |
|--|--------|-------|
| GENERAL TOLERANCES (UNLESS SPECIFIED)                | mm     | INCH  |
| 4 PLACES   | ± ---  | ± --- |
| 3 PLACES   | ± ---  | ± --- |
| 2 PLACES   | ± 0.25 | ± --- |
| 1 PLACE  | ± 0.25 | ± --- |
| ANGULAR ± 3 °  |        |       |
| DRAFT WHERE APPLICABLE MUST REMAIN WITHIN DIMENSIONS |        |       |

|                 |            |
|-----------------|------------|
| DIMENSION STYLE |            |
| MM ONLY         |            |
| DRAWN BY        | DATE       |
| LINDA           | 2007/12/13 |
| CHECKED BY      | DATE       |
| ALLEN LIN       | 2007/12/17 |
| APPROVED BY     | DATE       |
| EICK LAN        | 2007/12/17 |
| MATERIAL NO.    |            |
| SEE TABLE       |            |
| SIZE            |            |
| A3              |            |

|   |              |                        |
|---|--------------|------------------------|
| SCALE   | DESIGN UNITS | THIRD ANGLE PROJECTION |
| 1:1   | METRIC       |                        |
| TITLE   |              |                        |
| SLIMLINE SATA RECEPTACLE STANDARD DIP WITH NUT  |              |                        |
| MOLEX INCORPORATED  |              | SHEET NO.              |
| DOCUMENT NO.  |              | 1 OF 2                 |
| SD-48321-001  |              |                        |
| THIS DRAWING CONTAINS INFORMATION THAT IS PROPRIETARY TO MOLEX INCORPORATED AND SHOULD NOT BE USED WITHOUT WRITTEN PERMISSION |              |                        |

9 8 7 6 5 4 3 2 1

