

CPA TO BE INSTALLED IN PRE-LOCK POSITION AS SHOWN IN BOTH VIEWS. SEE NOTE #5

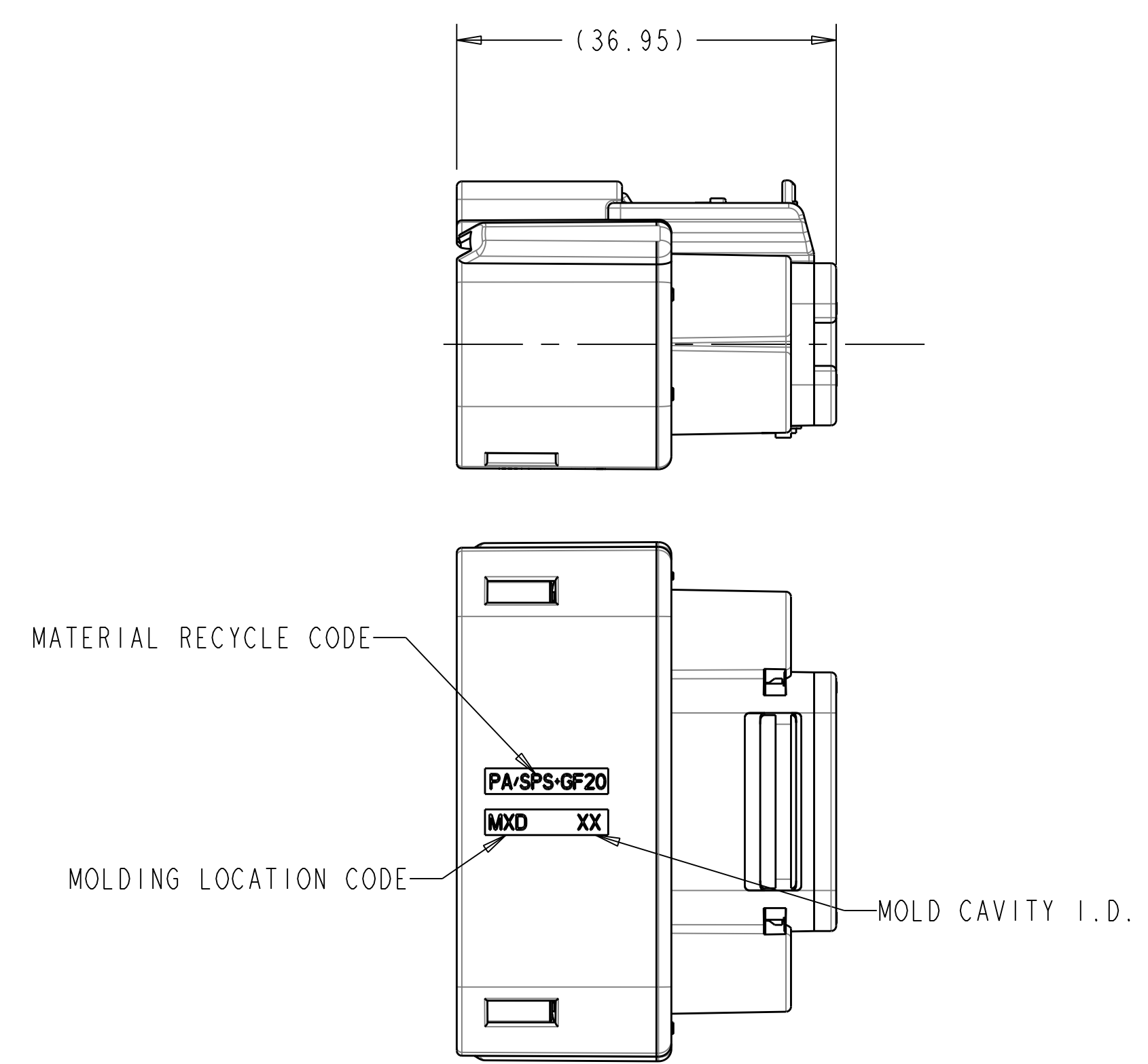
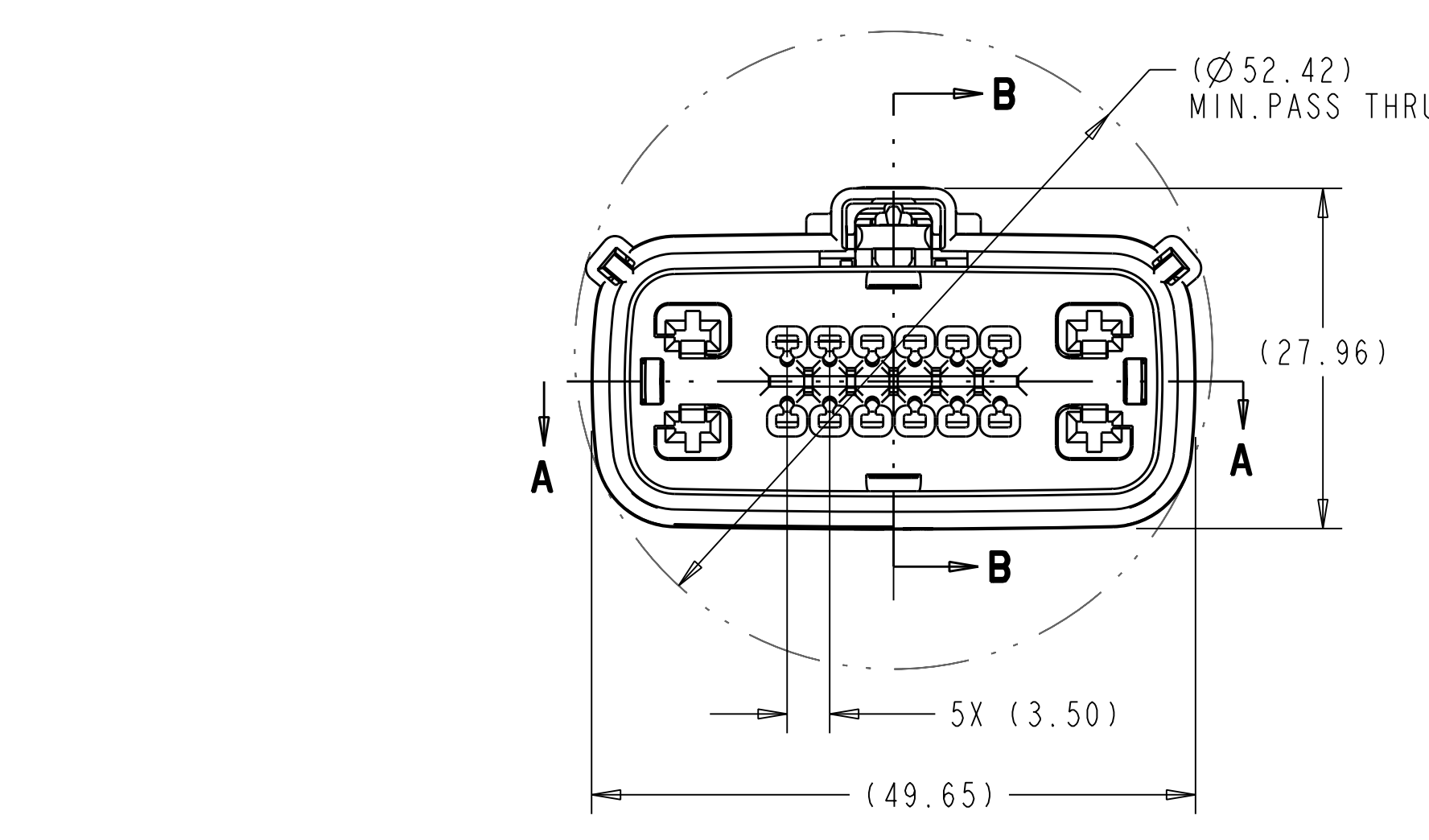
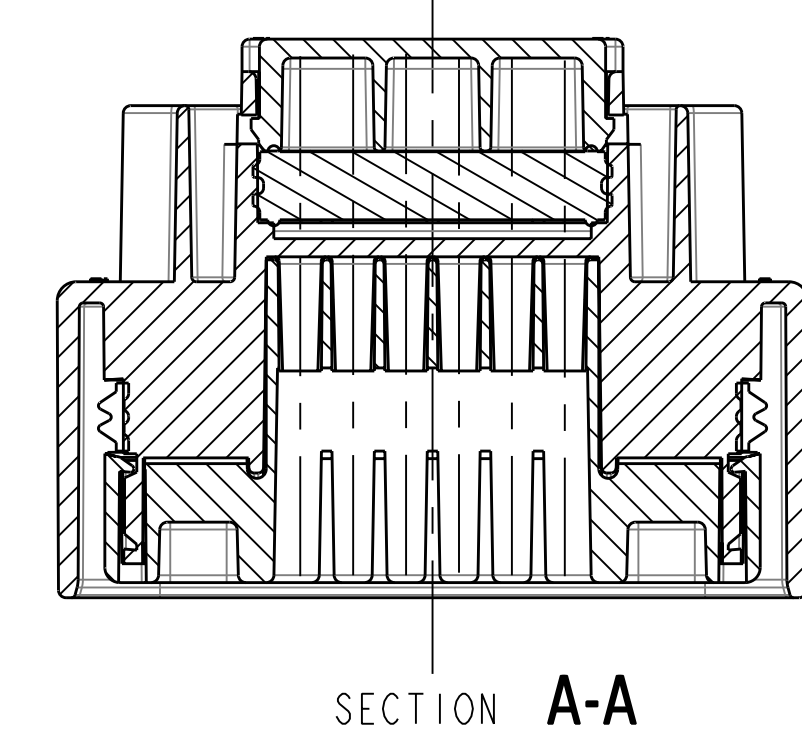
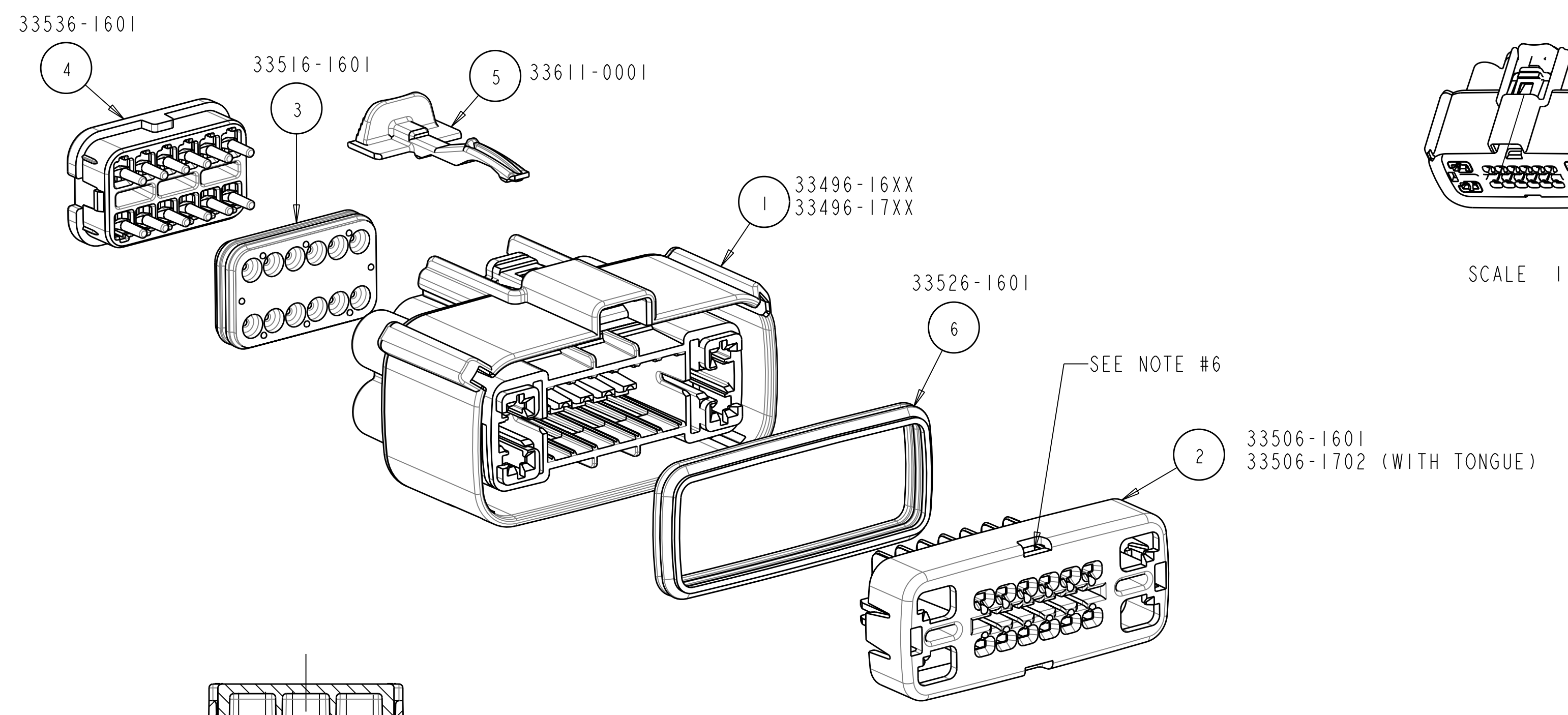
CPA TO BE INSTALLED IN PRE-LOCK POSITION AS SHOWN IN BOTH VIEWS. SEE NOTE #5

SECTION B-B
(RECEPTACLE INSERT WITH SHORTING BAR SHOWN IN PRE-LOCK)
SEE NOTE #2

SECTION B-B
(RECEPTACLE INSERT WITH SHORTING BAR SHOWN IN FULL-LOCK)
SEE NOTE #2

SECTION B-B
(RECEPTACLE INSERT SHOWN IN PRE-LOCK POSITION)
SEE NOTE #2

SECTION B-B
(RECEPTACLE INSERT SHOWN IN FULL-LOCK POSITION)
SEE NOTE #2



- NOTES: UNLESS OTHERWISE SPECIFIED
- DESIGNED TO MATE WITH BLADE HOUSING ASSEMBLY SPECIFIED IN CHARTED DRAWING E-33486-161 OR DEVICE CONNECTION AS SPECIFIED IN DRAWING E-33586-161. SEE CHART
 - ASSEMBLY SHIPPED WITH RECEPTACLE INSERT IN PRE-LOCK POSITION (SEE SECTION B-B PRE-LOCK). UPON FULL TERMINAL ASSEMBLY, EACH RECEPTACLE INSERT MUST BE SNAPPED INTO ITS FINAL-LOCK POSITION.
 - FOR 1.5mm RECEPTACLE TERMINALS TO BE USED WITH THIS ASSEMBLY, SEE MOLEX DRAWING E-33012-001. FOR FORD 2.8mm FEMALE RECEPTACLE SEE CHART.
 - SYSTEM TO BE USED WITH WIRE WITHIN Ø RANGE OF 1.2mm TO 2.4mm.
 - OPTIONAL CPA SHOWN IN ALL VIEWS. SEE TABLES FOR SPECIFIC ASSEMBLY OPTION AND NUMBER. CPA MUST BE INSERTED TO THE PRE-LOCK POSITION, AS SHOWN IN SECTION B-B. WHEN CORRECTLY SEATED THE CPA DOES NOT MOVE, FREELY.
 - SERVICE WITH SCREWDRIVER.
 - REFER TO SHEET # 2 OF THIS DRAWING FOR ALL PART NUMBER CONFIGURATION OPTIONS.
 - REFER TO ASSEMBLY DRAWING E-33476-181 FOR RECEPTACLE WITH CLIP SLOT OPTIONS.
 - 9a. ENGAGEMENT FORCE - NO TERMINALS (PRE TO FINAL): 15N MIN.
b. ENGAGEMENT FORCE - WITH TERMINALS (PRE TO FINAL): 60N MAX.
c. DISENGAGEMENT FORCE - WITH TERMINALS (FINAL TO PRE): 18N MIN. 60N MAX.
d. PARTIALLY INSTALLED TERMINAL DETECTION - 80N MIN OR 40N GREATER THAN (b) WHICHEVER IS GREATER.
e. REMOVAL FORCE - WITH TERMINALS (FINAL TO OUT OF CONNECTOR): 25N MIN.

TYCO 2.8mm CABLE SEAL TERMINAL	
FORD P/N	GRIP SIZE
IFIT-14474-KA	12
IFIT-14474-JA	14
IFIT-14474-HA	16
IFIT-14474-GA	18
IFIT-14474-FA	20
IFIT-14474-EA	22

EC NO: UA02005-0053
DRWN: D.GRIFFITHS 08-11-04
CHK: D.GRIFFITHS 08-11-04
APPR: D.GRIFFITHS 08-11-04

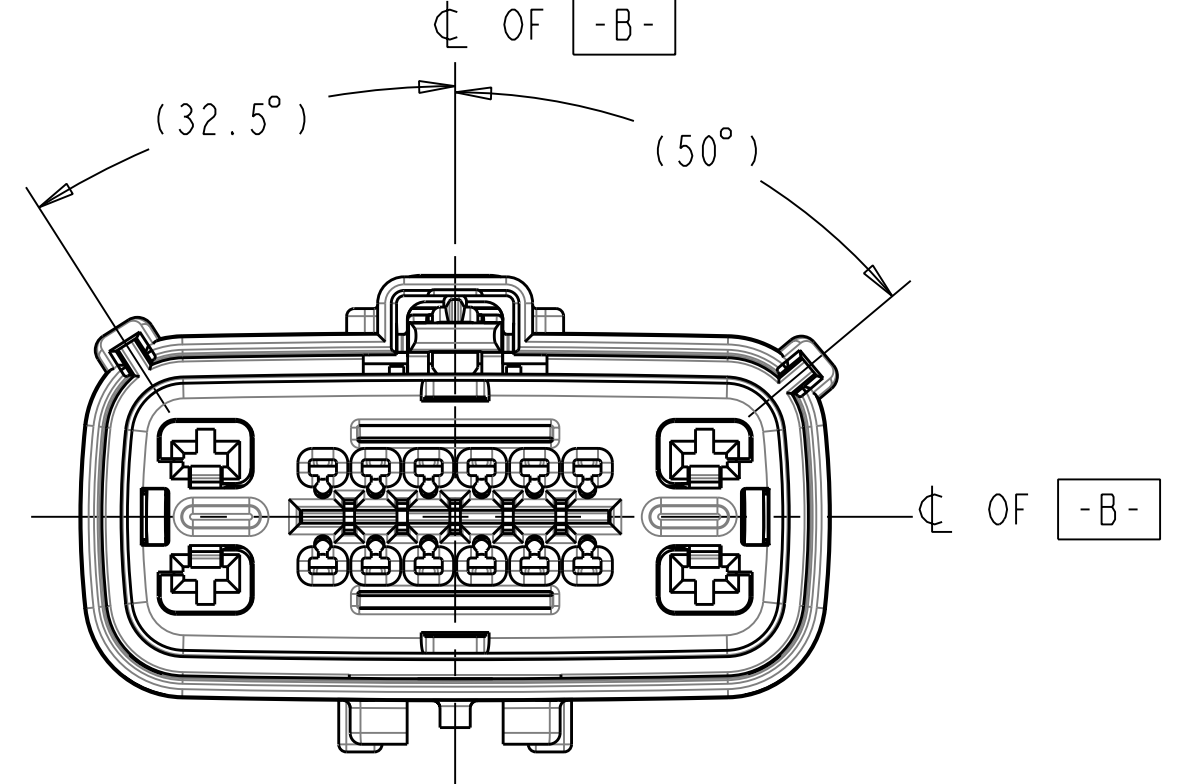
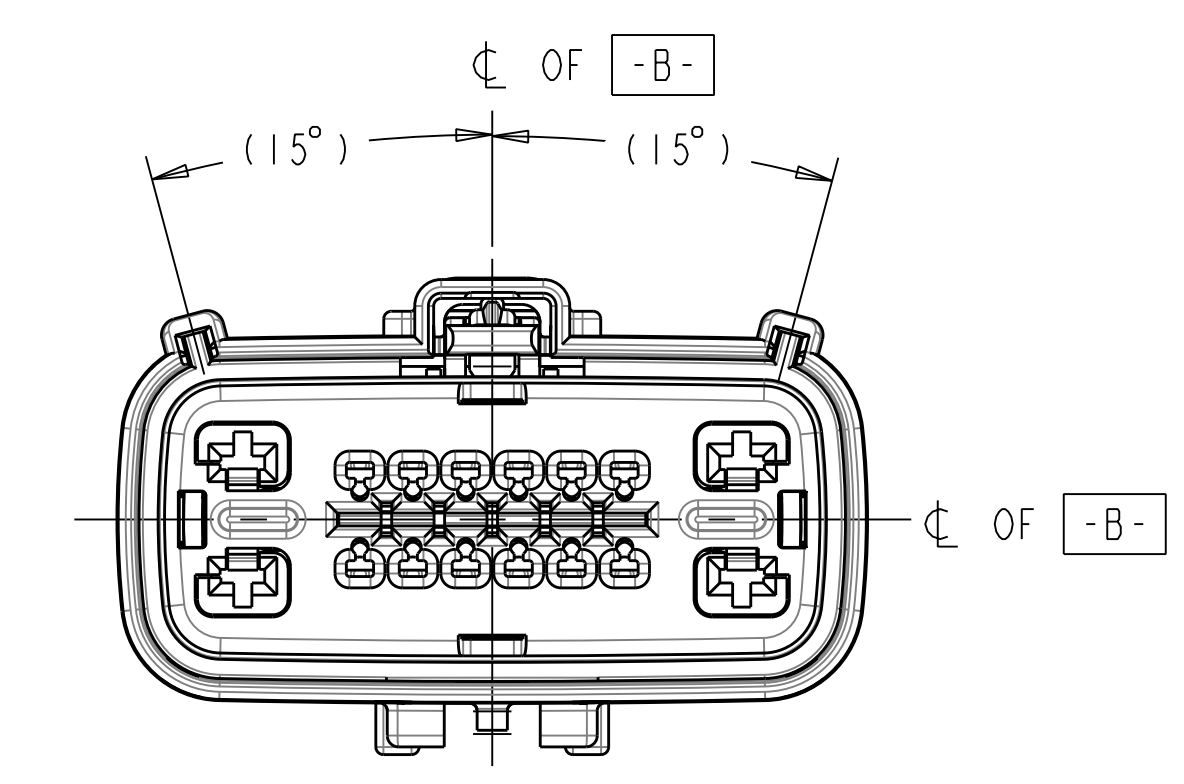
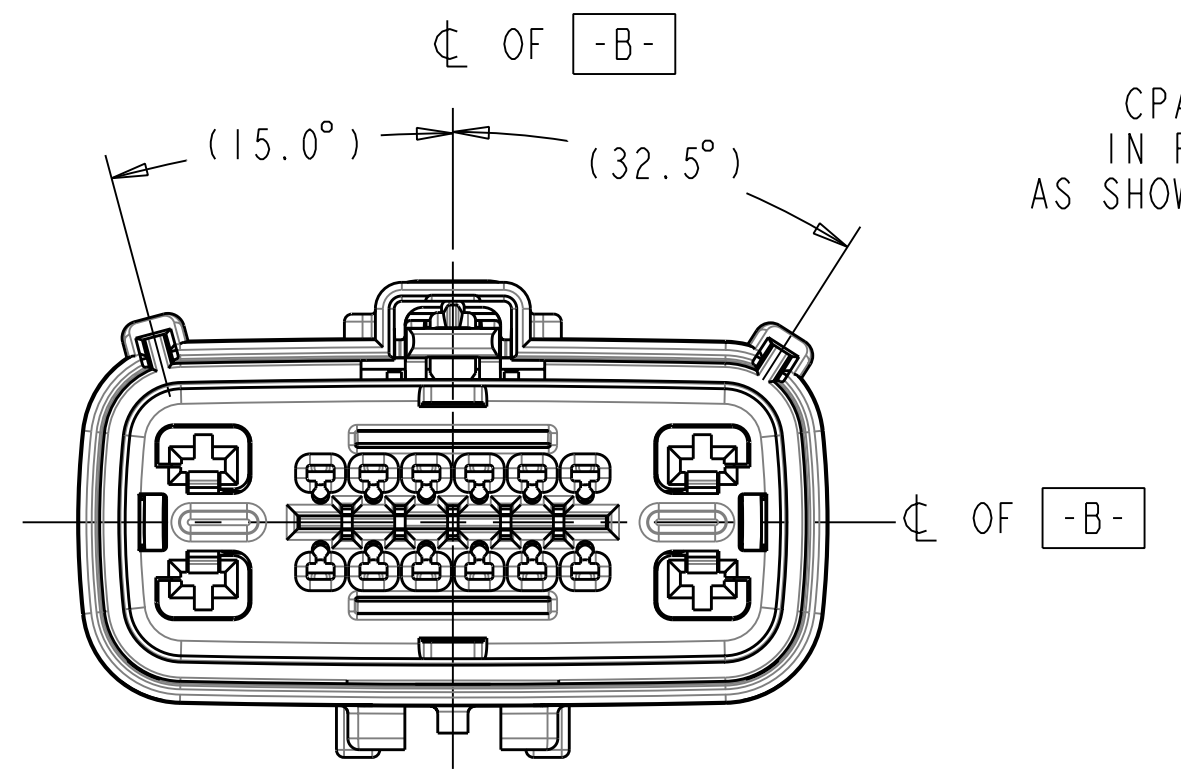
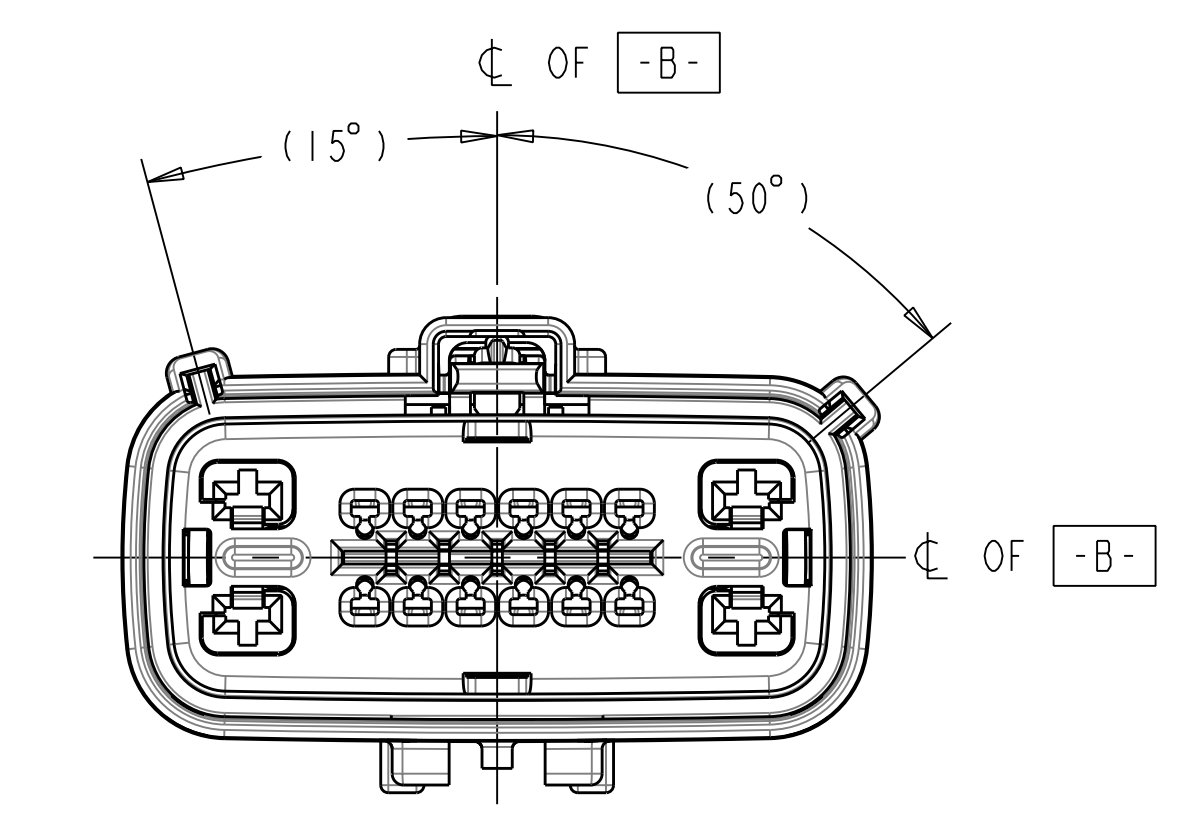
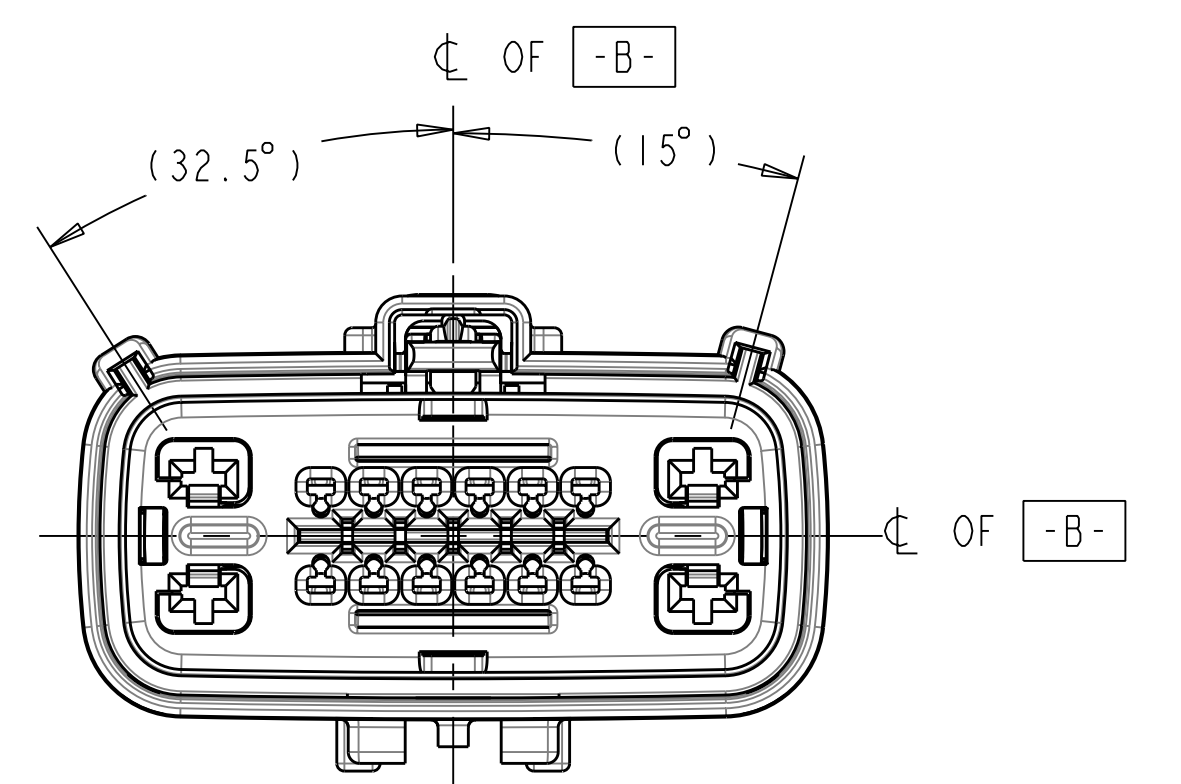
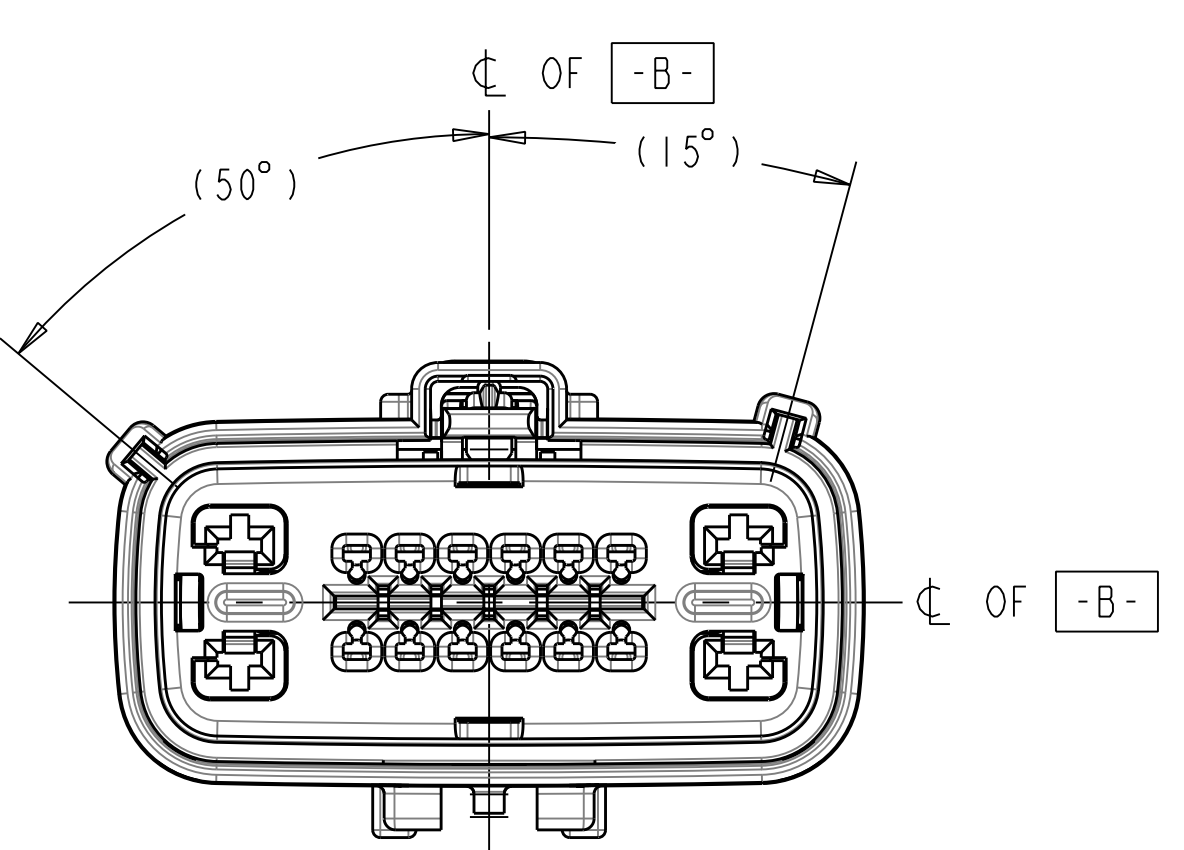
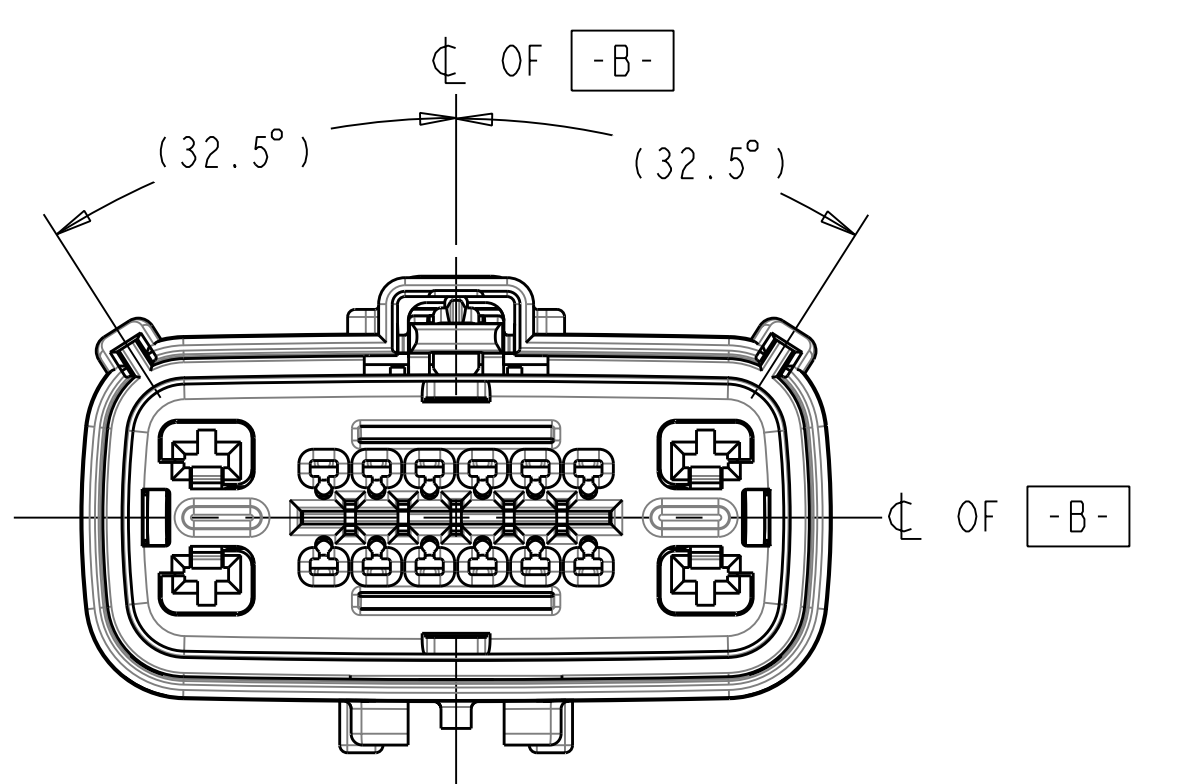
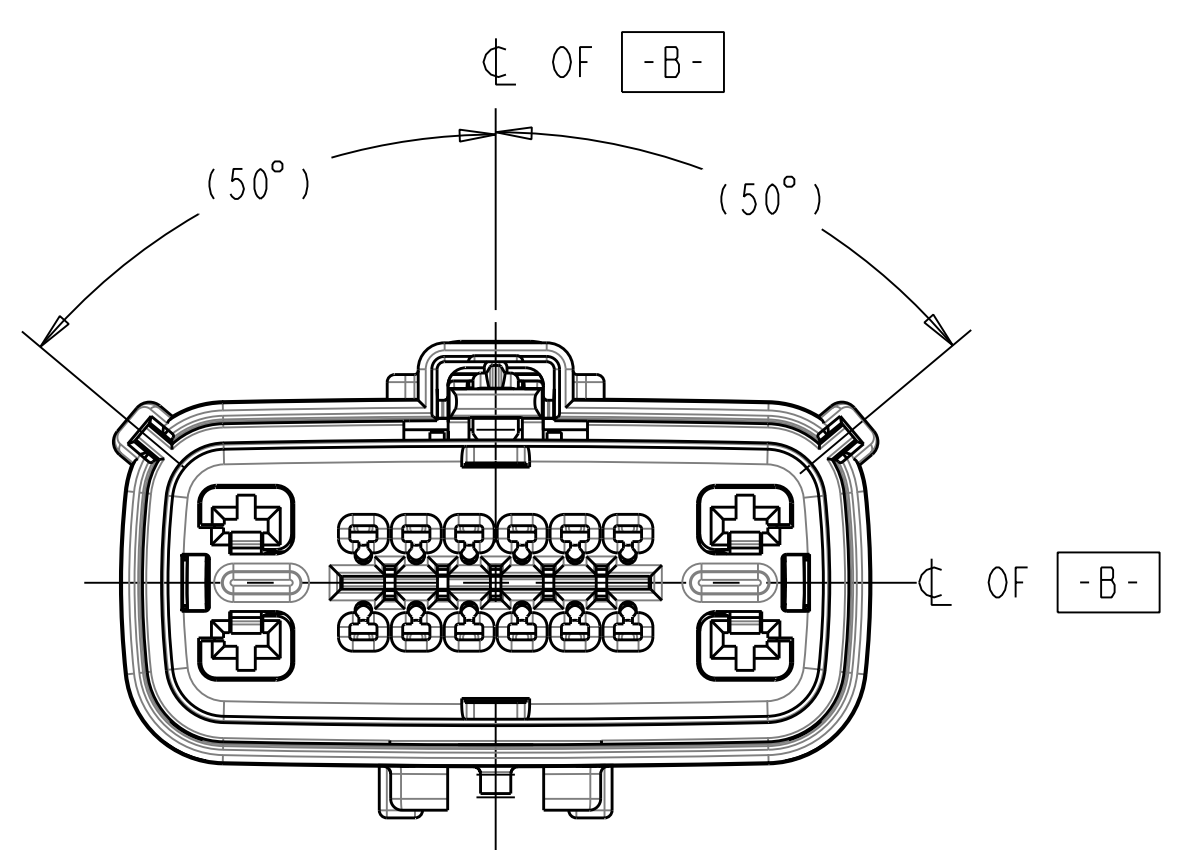
QUALITY SYMBOLS	GENERAL TOLERANCES (UNLESS SPECIFIED)	
	mm	INCH
4 PLACES	± .10	± .004
3 PLACES	± .15	± .005
2 PLACES	± 0.10	± .004
1 PLACE	± 0.3	± .012
	ANGULAR ± 3°	

SCALE	DESIGN UNITS
2:1	mm

THIRD ANGLE PROJECTION		REVISE ON CAD ONLY	
TITLE			
1.5mm/2.8mm HYBRID CONNECTOR, RCPT 2 ROW HOUSING, SEALED, 16 WAY			
MOLEX MOLEX INCORPORATED			
MATERIAL NO.	DOCUMENT NO.	SHEET NO.	
-	SD-33476-161	1 OF 2	

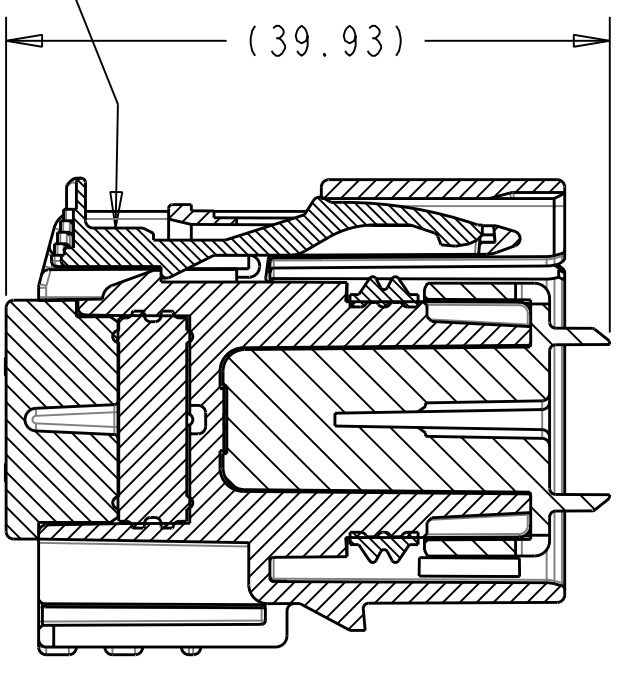
THIS DRAWING CONTAINS INFORMATION THAT IS PROPRIETARY TO MOLEX INCORPORATED AND SHOULD NOT BE USED WITHOUT WRITTEN PERMISSION

T	ASSEMBLY PART NUMBER	HOUSING PART NUMBER	COLOR	KEYING OPTION	MAT SEAL CAP	CAVITY TYPE & STATUS (X = PLUGGED)															CPA	INTERFACE SEAL	MAT SEAL	INSERT/TPA	MATES WITH SEE NOTE #1
						2	3	4	5	6	7	10	11	12	13	14	15								
T	33476-1601	33496-1601	BLACK	A	33536-1601													-	33526-1601	33516-1601	33506-1601				
T	33476-1602	33496-1602	LT.GRAY	B	33536-1601													-	33526-1601	33516-1601	33506-1601				
T	33476-1603	33496-1603	BROWN	C	33536-1601													-	33526-1601	33516-1601	33506-1601				
S	33476-1604	33496-1604	GREEN	D	33536-1601													-	33526-1601	33516-1601	33506-1601				
S	33476-1605	33496-1605	CUSTOM	TBD	33536-1601													-	33526-1601	33516-1601	33506-1601				
S	33476-1606	33496-1601	BLACK	A	33536-1601													33611-0001	33526-1601	33516-1601	33506-1601				
S	33476-1607	33496-1602	LT.GRAY	B	33536-1601													33611-0001	33526-1601	33516-1601	33506-1601				
S	33476-1608	33496-1603	BROWN	C	33536-1601													33611-0001	33526-1601	33516-1601	33506-1601				
R	33476-1609	33496-1604	GREEN	D	33536-1601													33611-0001	33526-1601	33516-1601	33506-1601				
R	33476-1610	33496-1605	CUSTOM	TBD	33536-1601													33611-0001	33526-1601	33516-1601	33506-1601				
R	33476-1611	33496-1601	BLACK	A	33536-1601	X												-	33526-1601	33516-1601	33506-1601				
R	33476-1612	33496-1602	LT.GRAY	B	33536-1601	X												-	33526-1601	33516-1601	33506-1601				
R	33476-1613	33496-1603	BROWN	C	33536-1601	X												-	33526-1601	33516-1601	33506-1601				
O	33476-1614	33496-1604	GREEN	D	33536-1601	X												-	33526-1601	33516-1601	33506-1601				
O	33476-1615	33496-1605	CUSTOM	TBD	33536-1601	X												-	33526-1601	33516-1601	33506-1601				
O	33476-1616	33496-1601	BLACK	A	33536-1601	X												33611-0001	33526-1601	33516-1601	33506-1601				
O	33476-1617	33496-1602	LT.GRAY	B	33536-1601	X												33611-0001	33526-1601	33516-1601	33506-1601				
O	33476-1618	33496-1603	BROWN	C	33536-1601	X												33611-0001	33526-1601	33516-1601	33506-1601				
O	33476-1619	33496-1604	GREEN	D	33536-1601	X												33611-0001	33526-1601	33516-1601	33506-1601				
P	33476-1620	33496-1605	CUSTOM	TBD	33536-1601	X												33611-0001	33526-1601	33516-1601	33506-1601				
P	33476-1621	33496-1601	BLACK	A	33536-1601	X									X			-	33526-1601	33516-1601	33506-1601				
P	33476-1622	33496-1602	LT.GRAY	B	33536-1601	X									X			-	33526-1601	33516-1601	33506-1601				
P	33476-1623	33496-1603	BROWN	C	33536-1601	X									X			-	33526-1601	33516-1601	33506-1601				
P	33476-1624	33496-1604	GREEN	D	33536-1601	X									X			-	33526-1601	33516-1601	33506-1601				
O	33476-1625	33496-1605	CUSTOM	TBD	33536-1601	X									X			-	33526-1601	33516-1601	33506-1601				
O	33476-1626	33496-1601	BLACK	A	33536-1601	X									X			33611-0001	33526-1601	33516-1601	33506-1601				
O	33476-1627	33496-1602	LT.GRAY	B	33536-1601	X									X			33611-0001	33526-1601	33516-1601	33506-1601				
O	33476-1628	33496-1603	BROWN	C	33536-1601	X									X			33611-0001	33526-1601	33516-1601	33506-1601				
O	33476-1629	33496-1604	GREEN	D	33536-1601	X									X			33611-0001	33526-1601	33516-1601	33506-1601				
N	33476-1630	33496-1605	CUSTOM	TBD	33536-1601	X									X			33611-0001	33526-1601	33516-1601	33506-1601				
N	33476-1641	33496-1601	BLACK	A	33536-1601	X	X	X	X	X	X	X	X	X	X	X		-	33526-1601	33516-1601	33506-1601				
N	33476-1651	33496-1601	BLACK	A	33536-1601	X	X											-	33526-1601	33516-1601	33506-1601				
N	33476-1661	33496-1601	BLACK	A	33536-1601		X											-	33526-1601	33516-1601	33506-1601				
N	33476-1671	33496-1601	BLACK	A	33536-1601													-	33526-1601	33516-1601	33506-1601				
N	33476-1701	33496-1701	BLACK	E	33536-1601													-	33526-1601	33516-1601	33506-1702				
M	33476-1702	33496-1702	LT.GRAY	F	33536-1601													-	33526-1601	33516-1601	33506-1702				
M	33476-1703	33496-1703	BROWN	G	33536-1601													-	33526-1601	33516-1601	33506-1702				
M	33476-1704	33496-1704	YELLOW	H	33536-1601													-	33526-1601	33516-1601	33506-1702				
M	33476-1706	33496-1704	YELLOW	H	33536-1601								X	X				33611-0001	33526-1601	33516-1601	33506-1702				
M	33476-1707	33496-1704	YELLOW	H	33536-1601	X							X	X				33611-0001	33526-1601	33516-1601	33506-1702				
M	33476-1708	33496-1704	YELLOW	H	33536-1601	X									X			33611-0001	33526-1601	33516-1601	33506-1702				
L	33476-1709	33496-1704	YELLOW	H	33536-1601		X						X	X	X	X		33611-0001	33526-1601	33516-1601	33506-1702				
L	33476-1710	33496-1704	YELLOW	H	33536-1601		X						X	X	X	X		33611-0001	33526-1601	33516-1601	33506-1702				
L	33476-1711	33496-1704	YELLOW	H	33536-1601													33611-0001	33526-1601	33516-1601	33506-1702				
L	33476-1712	33496-1704	YELLOW	H	33536-1601	X	X						X	X				33611-0001	33526-1601	33516-1601	33506-1702				
K	33476-1801	33496-1601	BLACK	A	33536-1601													-	33526-1601	33516-1601	33506-1601				
K	33476-1811	33496-1601	BLACK	A	33536-1601	X	X											-	33526-1601	33516-1601	33506-1601				
K	33476-1821	33496-1601	BLACK	A	33536-1601													-	33526-1601	33516-1601	33506-1601				
K	33476-1831	33496-1601	BLACK	A	33536-1601	X	X											-	33526-1601	33516-1601	33506-1601				
K	33476-1842	33496-1602	LT.GRAY	B	33536-1601			X										-	33526-1601	33516-1601	33506-1601				
K	33476-1843	33496-1601	BLACK	A	33536-1601		X											-	33526-1601	33516-1601	33506-1601				
J	33476-1844	33496-1601	BLACK	A	33536-1601			X										-	33526-1601	33516-1601	33506-1601				
J	33476-1845	33496-1601	BLACK	A	33536-1601	X									X	X	X	-	33526-1601	33516-1601	33506-1601				
J	33476-1846	33496-1601	BLACK	A	33536-1601	X	X								X	X	X	-	33526-1601	33516-1601	33506-1601				
J	33476-1847	33496-1601	BLACK	A	33536-1601	X		X							X			-	33526-1601	33516-1601	33506-1601				
I	33476-1879	33496-1601	BLACK	A	33536-1601				X	X								-	33526-1601	33516-1601	33506-1601				
I	33476-1880	33496-1601	BLACK	A	33536-1601			X	X						X	X	X	-	33526-1601	33516-1601	33506-1601				
I	33476-1882	33496-1601	BLACK	A	33536-1601				X						X	X	X	-	33526-1601	33516-1601	33506-1601				
I	33476-1883	33496-1601	BLACK	A	33536-1601		X			X	X	X	X	X	X	X		-	33526-1601	33516-1601	33506-1601				
I	33476-1884	33496-1601	BLACK	A	33536-1601				X						X	X	X	-	33526-1601	33516-1601	33506-1601				
I	33476-1885	33496-1601	BLACK	A	33536-1601										X	X	X	-	33526-1601	33516-1601	33506-1601				
H	33476-1886	33496-1602	LT.GRAY	B	33536-1601				X						X	X	X	-	33526-1601	33516-1601	33506-1601				
H	33476-1887	33496-1602	LT.GRAY	B	33536-1601			X							X	X	X	-	33526-1601	33516-1601	33506-1601				
H	33476-1888	33496-1601	BLACK	A	33536-1601	X				X	X							-	33526-1601	33516-1601	33506-1601				
H	33476-1889	33496-1601	BLACK	A	33536-1601	X				X					X	X	X	-	33526-1601	33516-1601	33506-1601				
H	33476-1890	33496-1601	BLACK	A	33536-1601		X			X	X							-	33526-1601	33516-1601	33506-1601				
G	33476-2001	33496-1701	BLACK	E	33536-1601													-	33526-1601	33516-1601	33506-1702				
G	33476-2002	33496-1702	LT.GRAY	F	33536-1601													-	33526-1601	33516-1601	33506-1702				
G	33476-2003	33496-1703	BROWN	G	33536-1601													-	33526-1601	33516-1601	33506-1702				
G	33476-2004	33496-1704	YELLOW	H	33536-1601													-	33526-1601	33516-1601	33506-1702				
G	33476-2006	33496-1704	YELLOW	H	33536-1601								X	X				33611-0001	33526-1601	33516-1601	33506-1702				
F	33476-2007	33496-1704	YELLOW	H																					

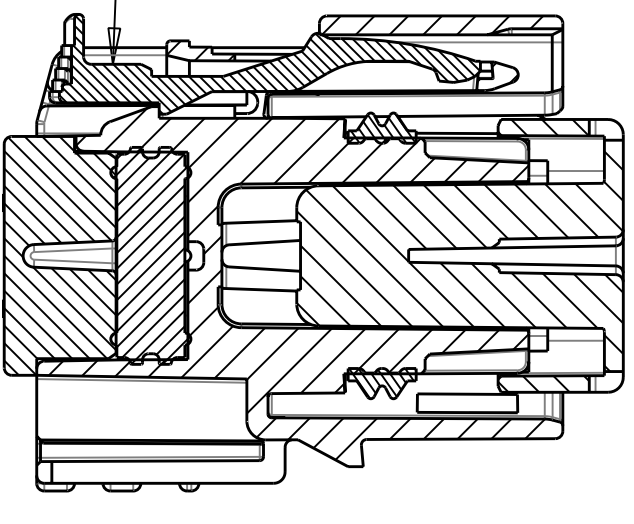


CPA TO BE INSTALLED IN PRE-LOCK POSITION AS SHOWN IN BOTH VIEWS, SEE NOTE #5

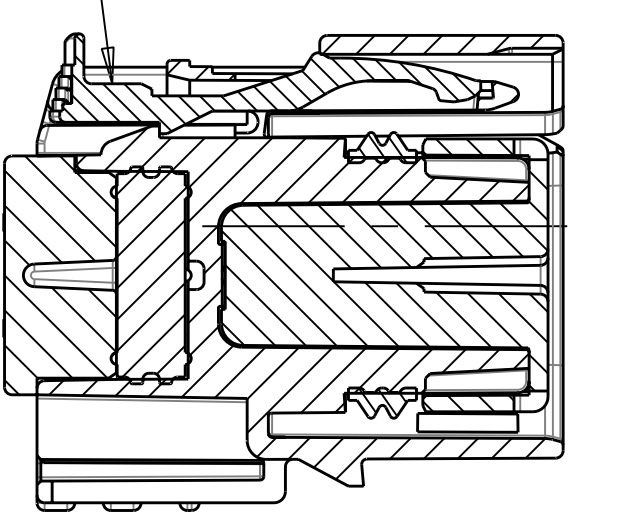
SECTION B-B
(RECEPTACLE INSERT WITH SHORTING BAR LIFTER SHOWN IN PRE-LOCK)
SEE NOTE #2



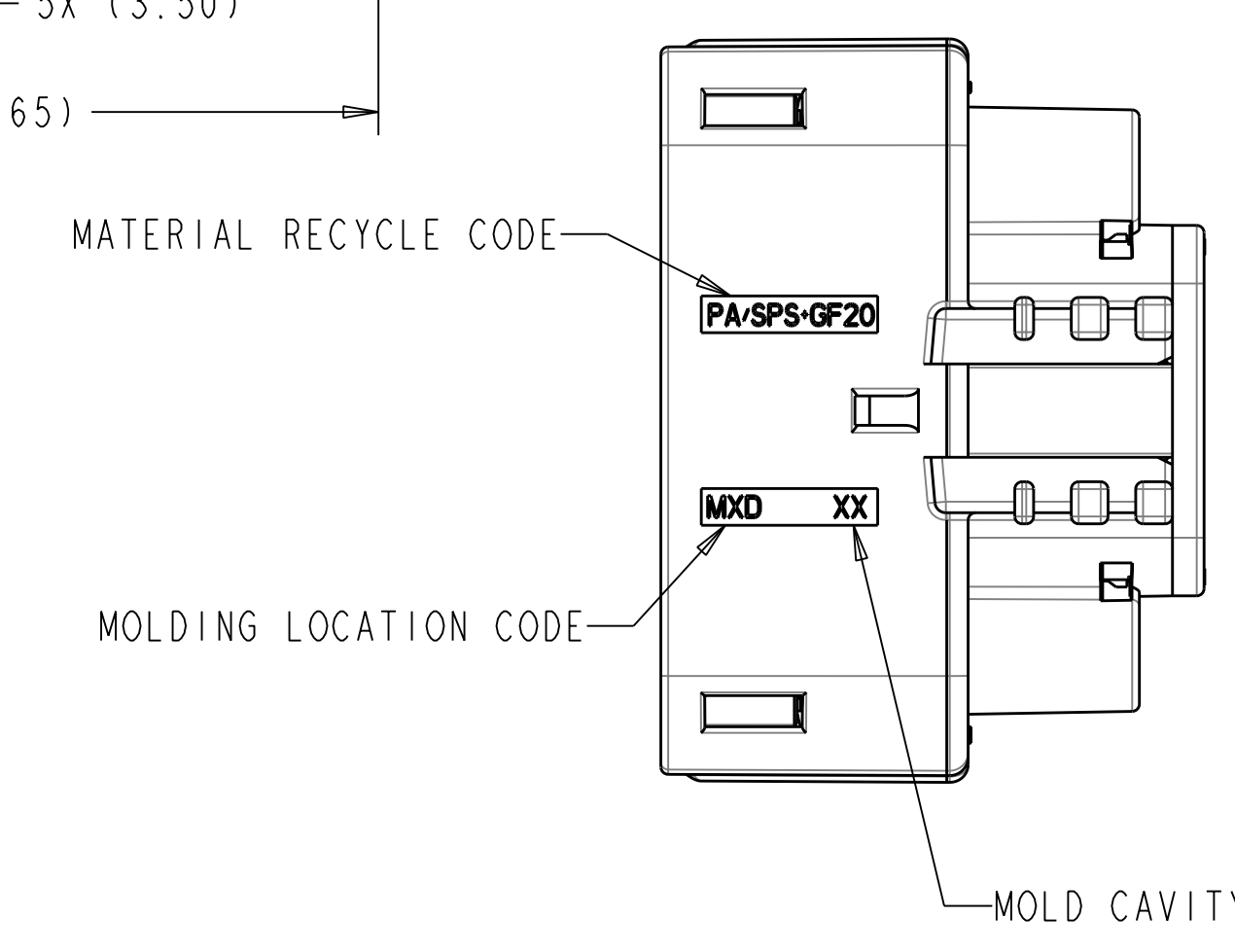
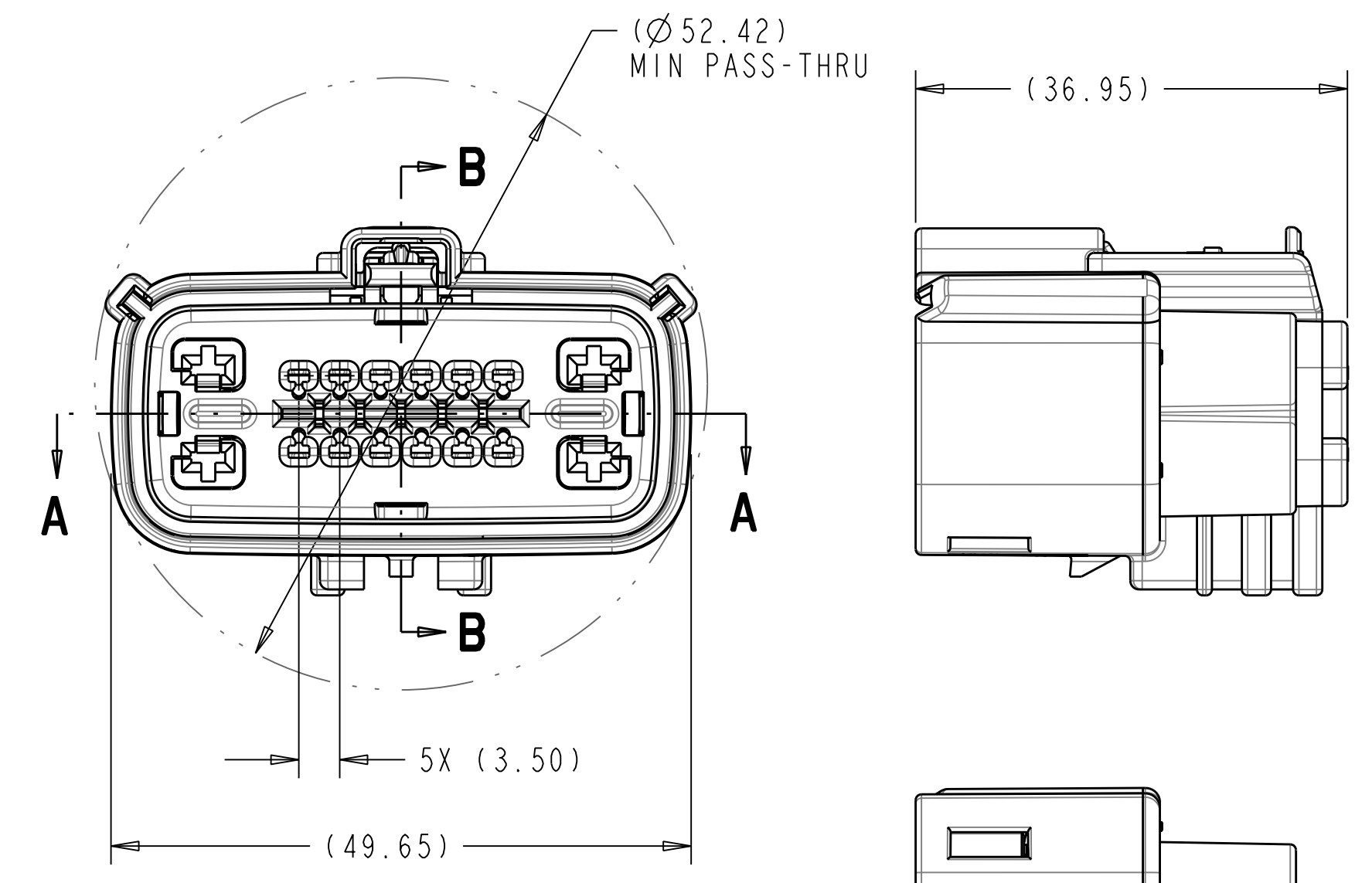
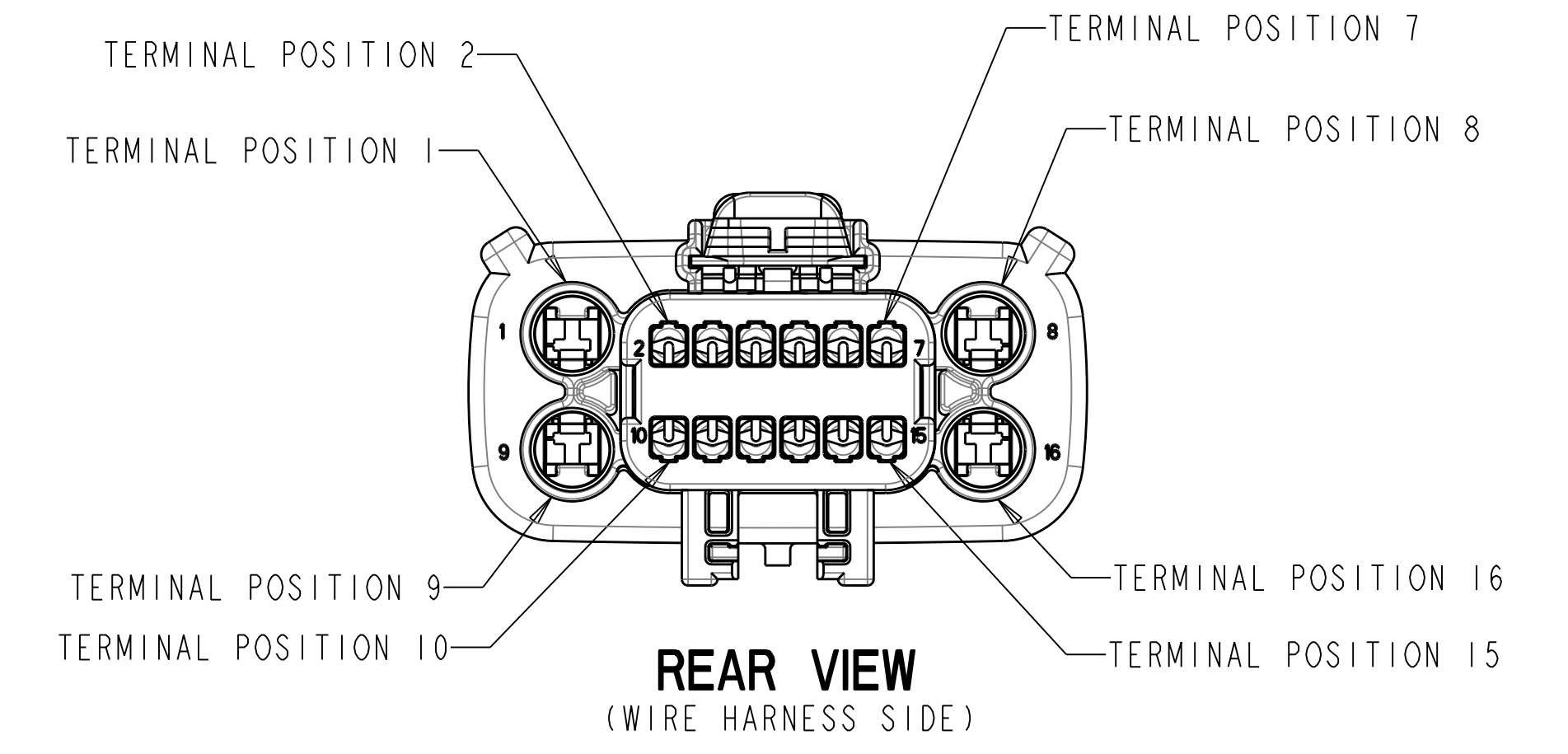
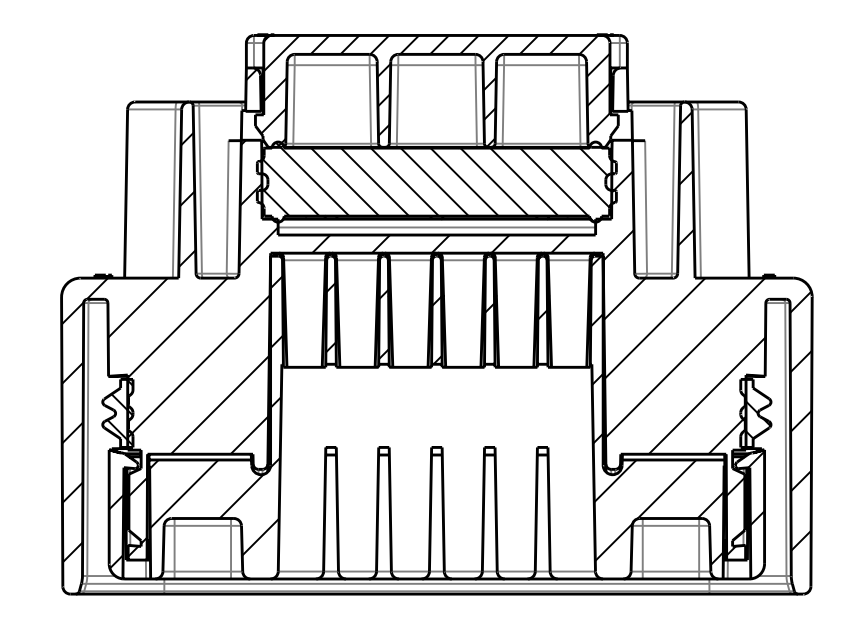
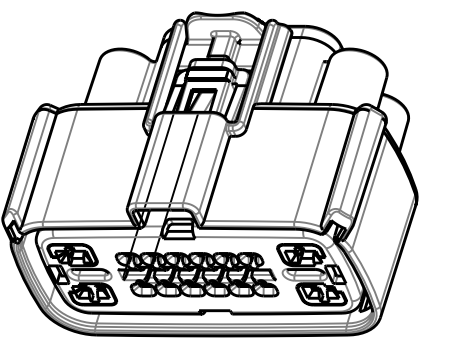
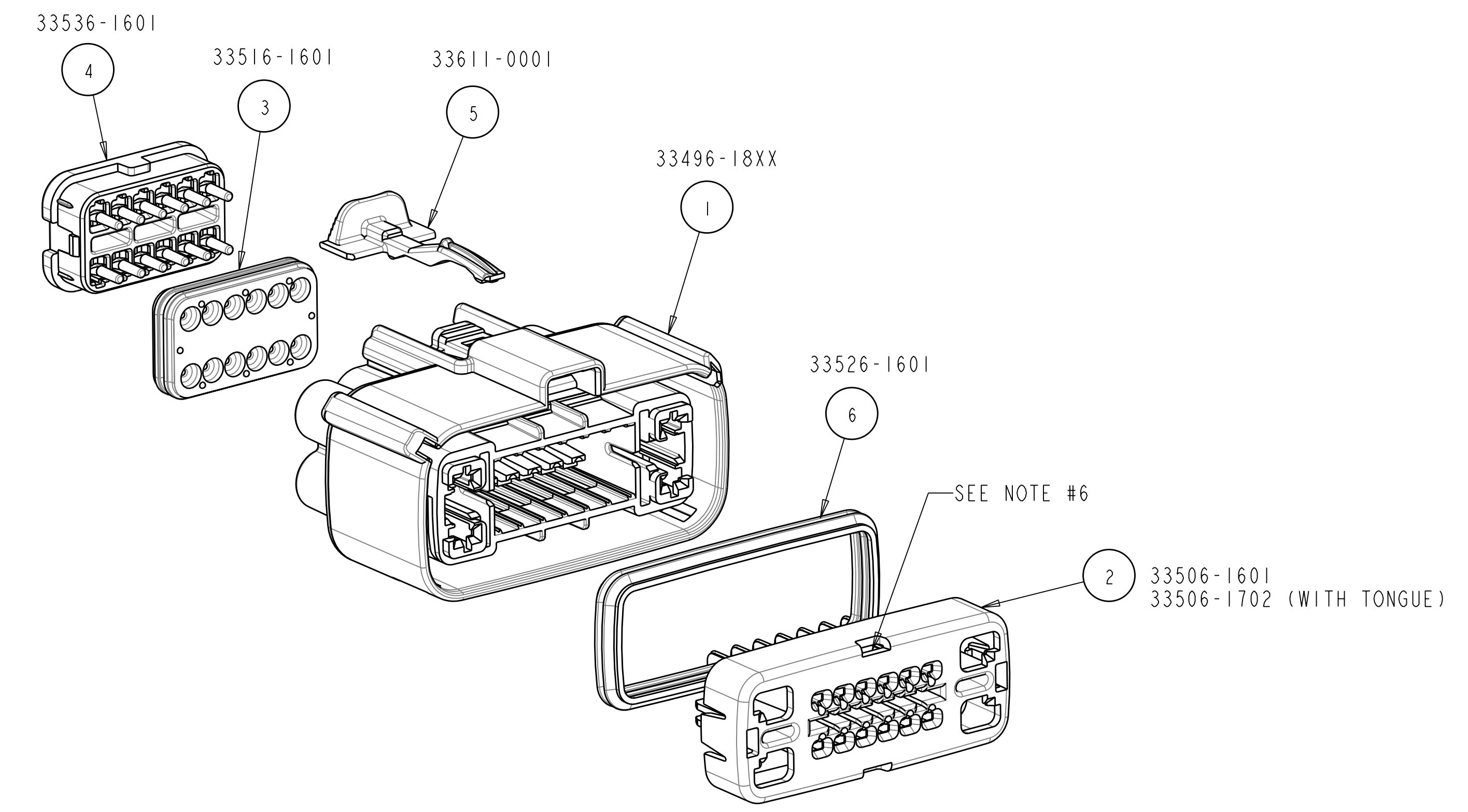
SECTION B-B
(RECEPTACLE INSERT WITH SHORTING BAR LIFTER SHOWN IN FULL-LOCK)
SEE NOTE #2



SECTION B-B
(RECEPTACLE INSERT SHOWN IN PRE-LOCK)
SEE NOTE #2



SECTION B-B
(RECEPTACLE INSERT SHOWN IN FULL-LOCK)
SEE NOTE #2



- NOTES: UNLESS OTHERWISE SPECIFIED
- DESIGNED TO MATE WITH BLADE HOUSING ASSEMBLY SPECIFIED IN CHARTED DRAWING E-33486-161 OR DEVICE CONNECTION AS SPECIFIED IN DRAWING E-33586-161. SEE CHART
 - ASSEMBLY SHIPPED WITH RECEPTACLE INSERT IN PRE-LOCK POSITION (SEE SECTION B-B PRE-LOCK). UPON FULL TERMINAL ASSEMBLY, EACH RECEPTACLE INSERT MUST BE SNAPPED INTO ITS FINAL-LOCK POSITION.
 - FOR 1.5mm RECEPTACLE TERMINALS TO BE USED WITH THIS ASSEMBLY, SEE MOLEX DRAWING E-33012-001. FOR FORD 2.8mm FEMALE RECEPTACLE SEE CHART.
 - SYSTEM TO BE USED WITH WIRE WITHIN Ø RANGE OF 1.2mm TO 2.4mm.
 - OPTIONAL CPA SHOWN IN ALL VIEWS. SEE TABLES FOR SPECIFIC ASSEMBLY OPTION AND NUMBER. CPA MUST BE INSERTED TO THE PRE-LOCK POSITION, AS SHOWN IN SECTION B-B. WHEN CORRECTLY SEATED THE CPA DOES NOT MOVE, FREELY.
 - SERVICE WITH SCREWDRIVER.
 - REFER TO TABLE ON SHEET 2 OF THIS DRAWING FOR ALL PART NUMBER CONFIGURATION OPTIONS.
 - REFER TO ASSEMBLY DRAWING E-33476-161 FOR RECEPTACLE WITHOUT CLIP SLOT OPTIONS.
 - 9a. ENGAGEMENT FORCE - NO TERMINALS (PRE TO FINAL): 15N MIN.
9b. ENGAGEMENT FORCE - WITH TERMINALS (PRE TO FINAL): 60N MAX.
9c. DISENGAGEMENT FORCE - WITH TERMINALS (FINAL TO PRE): 18N MIN, 60N MAX.
9d. PARTIALLY INSTALLED TERMINAL DETECTION - 80N MIN OR 40N GREATER THAN (b) WHICHEVER IS GREATER.
9e. REMOVAL FORCE - WITH TERMINALS (FINAL TO OUT OF CONNECTOR): 25N MIN.

TYCO 2.8mm CABLE SEAL TERMINAL	
FORD P/N	GRIP SIZE
IFIT-14474-KA	12
IFIT-14474-JA	14
IFIT-14474-HA	16
IFIT-14474-GA	18
IFIT-14474-FA	20
IFIT-14474-EA	22

EC NO: UAU2005-0053	DRWN: D.GRIFFITHS 08-11-04	CH'K: D.GRIFFITHS 08-11-04	APPR: D.GRIFFITHS 08-11-04
M	REV	DESCRIPTION	

QUALITY SYMBOLS	GENERAL TOLERANCES (UNLESS SPECIFIED)	
	mm	INCH
4 PLACES	± .10	± .004
3 PLACES	± .15	± .005
2 PLACES	± 0.10	± .004
1 PLACE	± 0.3	± .012
	ANGULAR ± 3°	

SCALE 2:1	DESIGN UNITS mm
DIMENSION STYLE mm	
DRAWN BY D.GRIFFITHS	DATE 05-21-03
CHECKED BY D.GRIFFITHS	DATE 05-21-03
APPROVED BY D.GRIFFITHS	DATE 05-21-03

THIRD ANGLE PROJECTION	REVISE ON CAD ONLY
TITLE 1.5mm/2.8mm HYBRID CONNECTOR, RCPT 2 ROW HOUSING w/ CLIP SLOT SEALED, 16 WAY	
MOLEX MOLEX INCORPORATED	
MATERIAL NO. -	DOCUMENT NO. SD-33476-181
SHEET NO. 1 OF 2	

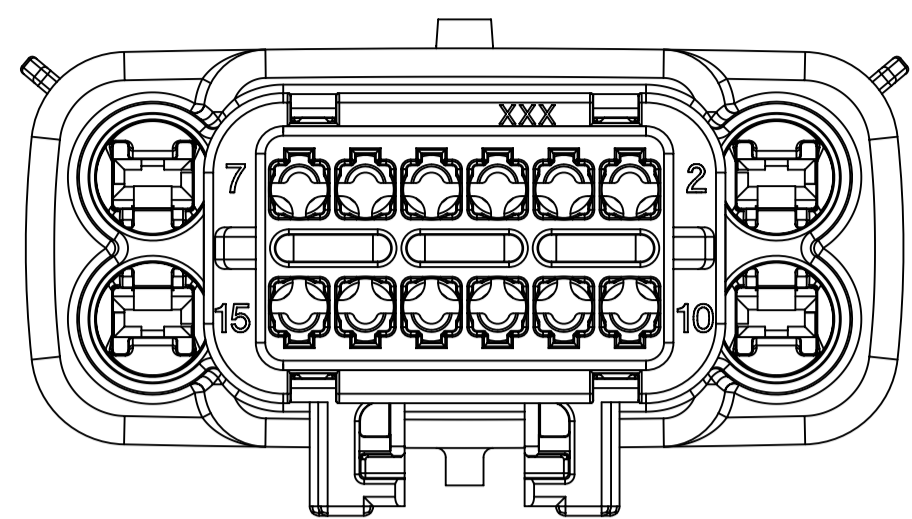
THIS DRAWING CONTAINS INFORMATION THAT IS PROPRIETARY TO MOLEX INCORPORATED AND SHOULD NOT BE USED WITHOUT WRITTEN PERMISSION

T	ASSEMBLY PART NUMBER	HOUSING PART NUMBER	COLOR	KEYING OPTION	MAT SEAL CAP	CAVITY TYPE & STATUS (X = PLUGGED)										CPA	INTERFACE SEAL	MAT SEAL	INSERT/TPA	
						2	3	4	5	6	7	10	11	12	13					14
T	33476-1713	33496-1806	BLACK	E	33536-1601													33526-1601	33516-1601	33506-1702
	33476-1841	33496-1801	BLACK	A	33536-1601													33526-1601	33516-1601	33506-1601
	33476-1848	33496-1801	BLACK	A	33536-1601	X											33611-0001	33526-1601	33516-1601	33506-1601
	33476-1849	33496-1801	BLACK	A	33536-1601												33611-0001	33526-1601	33516-1601	33506-1601
S	33476-1850	33496-1801	BLACK	A	33536-1601	X					X	X					33526-1601	33516-1601	33506-1601	
	33476-1851	33496-1807	LT.GRAY	F	33536-1601	X	X			X	X				X	X	33526-1601	33516-1601	33506-1702	
	33476-1852	33496-1807	LT.GRAY	F	33536-1601					X							33526-1601	33516-1601	33506-1702	
	33476-1853	33496-1807	LT.GRAY	F	33536-1601	X	X			X					X		33526-1601	33516-1601	33506-1702	
	33476-1854	33496-1807	LT.GRAY	F	33536-1601					X					X		33526-1601	33516-1601	33506-1702	
	33476-1855	33496-1807	LT.GRAY	F	33536-1601	X				X		X	X				33526-1601	33516-1601	33506-1702	
R	33476-1856	33496-1807	LT.GRAY	F	33536-1601					X					X		33526-1601	33516-1601	33506-1702	
	33476-1857	33496-1807	LT.GRAY	F	33536-1601					X			X	X			33526-1601	33516-1601	33506-1702	
	33476-1858	33496-1807	LT.GRAY	F	33536-1601	X	X			X							33526-1601	33516-1601	33506-1702	
	33476-1859	33496-1807	LT.GRAY	F	33536-1601							X					33526-1601	33516-1601	33506-1702	
	33476-1860	33496-1807	LT.GRAY	F	33536-1601	X	X	X	X	X		X					33526-1601	33516-1601	33506-1702	
O	33476-1861	33496-1801	BLACK	A	33536-1601	X	X	X				X	X		X		33526-1601	33516-1601	33506-1601	
	33476-1862	33496-1806	BLACK	E	33536-1601	X									X		33526-1601	33516-1601	33506-1702	
	33476-1875	33496-1806	BLACK	E	33536-1601							X	X		X		33526-1601	33516-1601	33506-1702	
	33476-1876	33496-1806	BLACK	E	33536-1601					X	X	X	X		X		33526-1601	33516-1601	33506-1702	
	33476-1877	33496-1806	BLACK	E	33536-1601										X	X	33526-1601	33516-1601	33506-1702	
P	33476-1878	33496-1806	BLACK	E	33536-1601									X			33526-1601	33516-1601	33506-1702	
	33476-1881	33496-1801	BLACK	A	33536-1601					X	X				X		33526-1601	33516-1601	33506-1601	
	33476-1891	33496-1801	BLACK	A	33536-1601	X	X			X							33526-1601	33516-1601	33506-1601	
	33476-1892	33496-1806	BLACK	E	33536-1601	X	X								X	X	33526-1601	33516-1601	33506-1702	
	33476-1893	33496-1806	BLACK	E	33536-1601							X	X		X	X	33526-1601	33516-1601	33506-1702	
O	33476-1894	33496-1807	LT.GRAY	F	33536-1601										X	X	33526-1601	33516-1601	33506-1702	
	33476-1895	33496-1809	YELLOW	H	33536-1601												33526-1601	33516-1601	33506-1702	
	33476-1896	33496-1809	YELLOW	H	33536-1601										X		33526-1601	33516-1601	33506-1702	
	33476-1897	33496-1807	LT.GRAY	F	33536-1601					X	X	X	X	X	X	X	33526-1601	33516-1601	33506-1702	
	33476-1898	33496-1807	LT.GRAY	F	33536-1601					X		X	X	X	X	X	33526-1601	33516-1601	33506-1702	
	33476-1899	33496-1809	YELLOW	H	33536-1601					X	X	X	X		X		33526-1601	33516-1601	33506-1702	
N	33476-1900	33496-1809	YELLOW	H	33536-1601					X		X	X		X		33526-1601	33516-1601	33506-1702	
	33476-2201	33496-1806	BLACK	E	33536-1601												33526-1601	33516-1601	33506-1702	
	33476-2202	33496-1807	LT.GRAY	F	33536-1601	X	X			X	X				X	X	33526-1601	33516-1601	33506-1702	
	33476-2203	33496-1807	LT.GRAY	F	33536-1601					X							33526-1601	33516-1601	33506-1702	
	33476-2204	33496-1807	LT.GRAY	F	33536-1601	X	X			X					X		33526-1601	33516-1601	33506-1702	
M	33476-2205	33496-1807	LT.GRAY	F	33536-1601					X					X		33526-1601	33516-1601	33506-1702	
	33476-2206	33496-1807	LT.GRAY	F	33536-1601	X				X		X	X				33526-1601	33516-1601	33506-1702	
	33476-2207	33496-1807	LT.GRAY	F	33536-1601					X					X		33526-1601	33516-1601	33506-1702	
	33476-2208	33496-1807	LT.GRAY	F	33536-1601					X		X	X				33526-1601	33516-1601	33506-1702	
	33476-2209	33496-1807	LT.GRAY	F	33536-1601	X	X			X		X					33526-1601	33516-1601	33506-1702	
L	33476-2210	33496-1807	LT.GRAY	F	33536-1601							X					33526-1601	33516-1601	33506-1702	
	33476-2211	33496-1807	LT.GRAY	F	33536-1601	X	X	X	X	X							33526-1601	33516-1601	33506-1702	

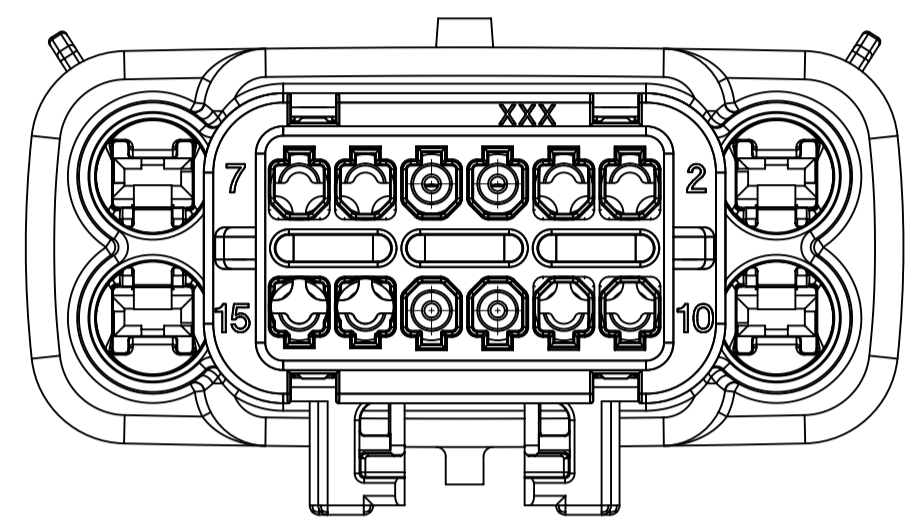
EC NO: UAU2005-0053 DRWN: D.GRIFFITHS 08-11-04 CH'K: D.GRIFFITHS 08-11-04 APPR: D.GRIFFITHS 08-11-04	QUALITY SYMBOLS 	GENERAL TOLERANCES (UNLESS SPECIFIED)		SCALE 2.000	DESIGN UNITS mm	THIRD ANGLE PROJECTION REVISE ON CAD ONLY	
		4 PLACES ± .00	3 PLACES ± .00	DIMENSION STYLE mm			TITLE
		2 PLACES ± 0.10	1 PLACE ± 0.3	DRAWN BY D.GRIFFITHS DATE 05-21-03		1.5mm/2.8mm HYBRID CONNECTOR, RCPT 2 ROW HOUSING w/ CLIP SLOT SEALED, 16 WAY	
		ANGULAR ± 3°		CHECKED BY D.GRIFFITHS DATE 05-21-03		MOLEX INCORPORATED	
M	REV	APPROVED BY D.GRIFFITHS DATE 05-21-03		MATERIAL NO. -	DOCUMENT NO. SD-33476-181	SHEET NO. 2 OF 2	
		THIS DRAWING CONTAINS INFORMATION THAT IS PROPRIETARY TO MOLEX INCORPORATED AND SHOULD NOT BE USED WITHOUT WRITTEN PERMISSION					E

SHEET DESCRIPTION

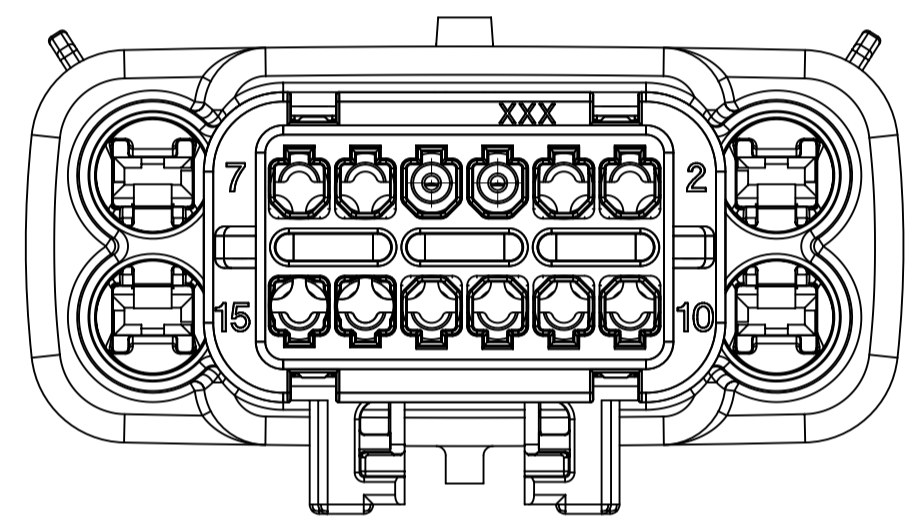
CONFIGURATIONS



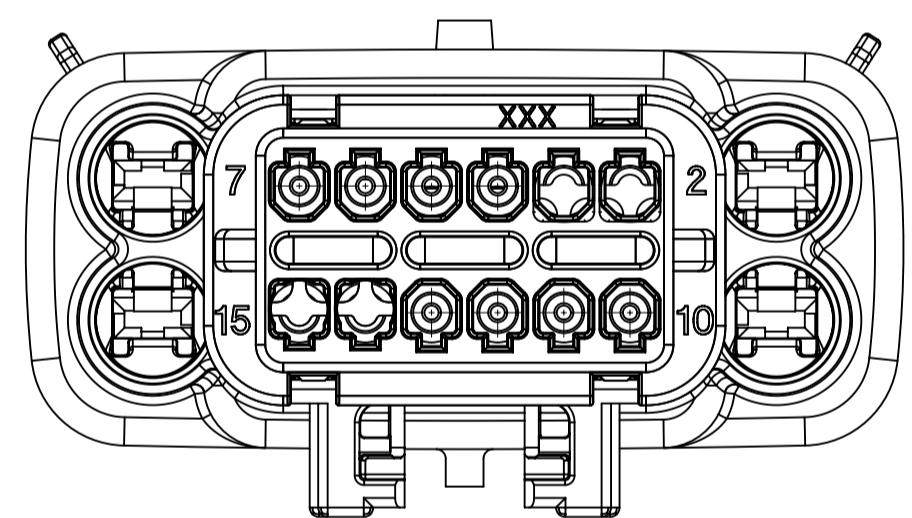
STANDARD GROMMET CAP



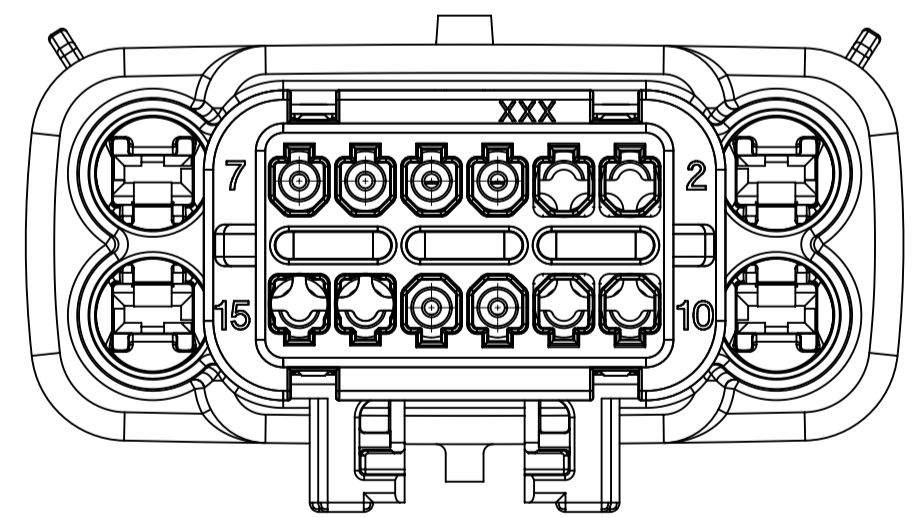
SHORTING BAR GROMMET CAP 1



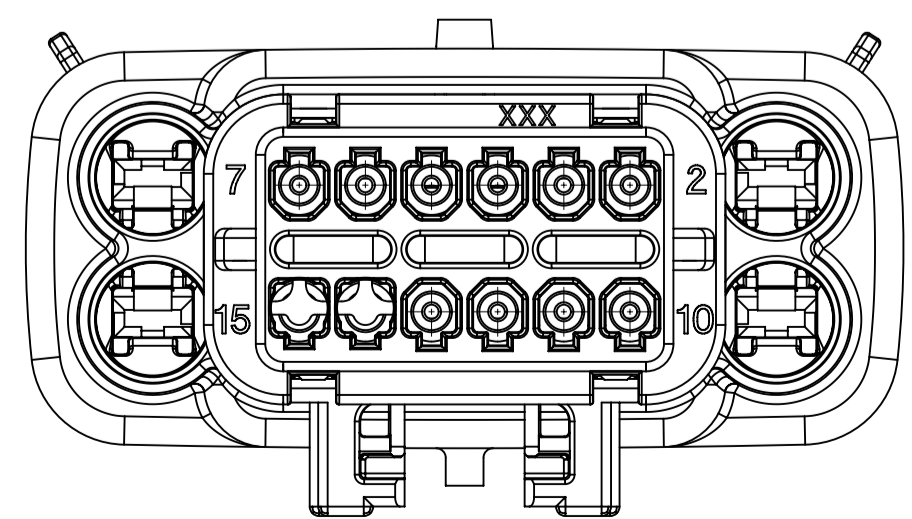
SHORTING BAR GROMMET CAP 2



SHORTING BAR GROMMET CAP 3



SHORTING BAR GROMMET CAP 4

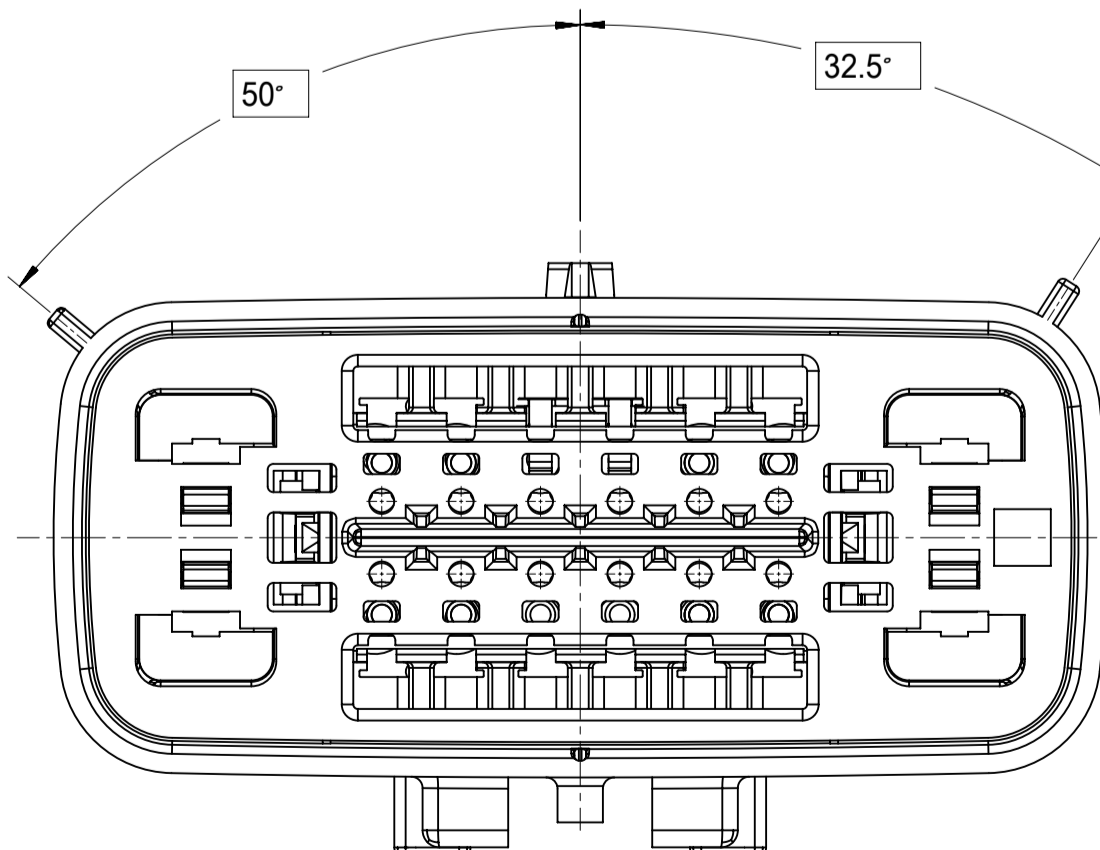
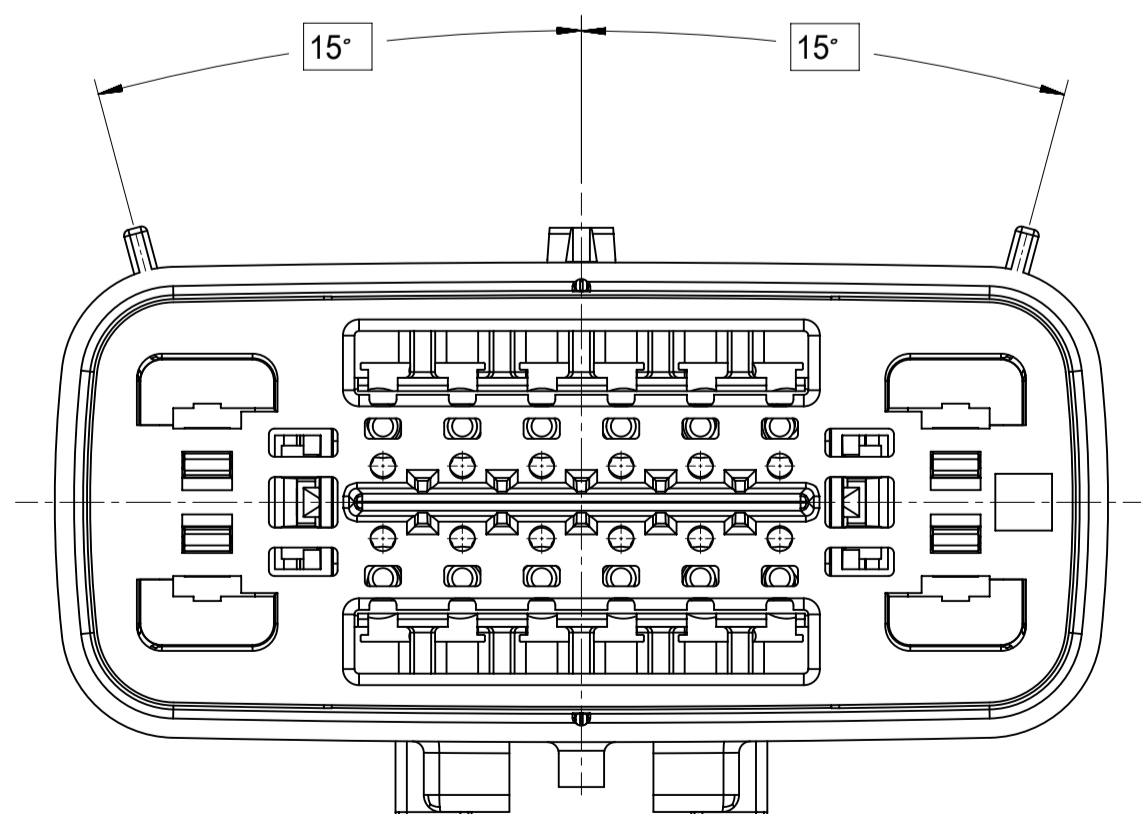
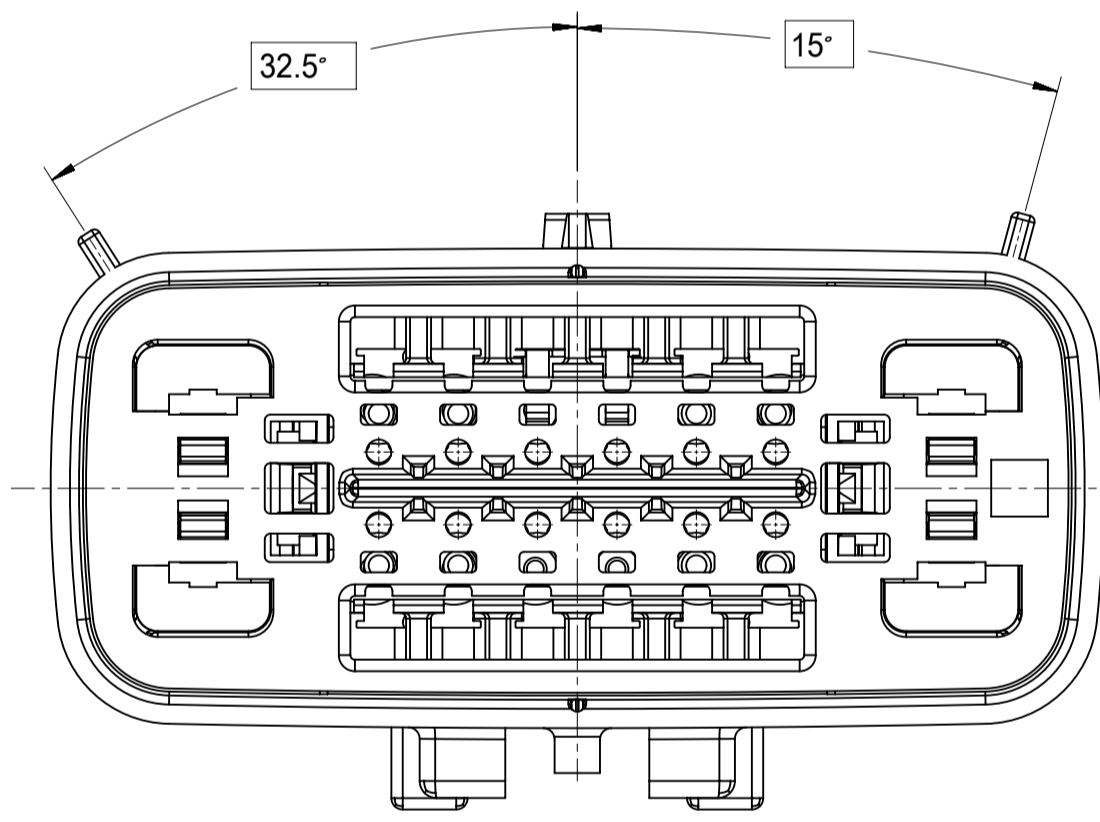
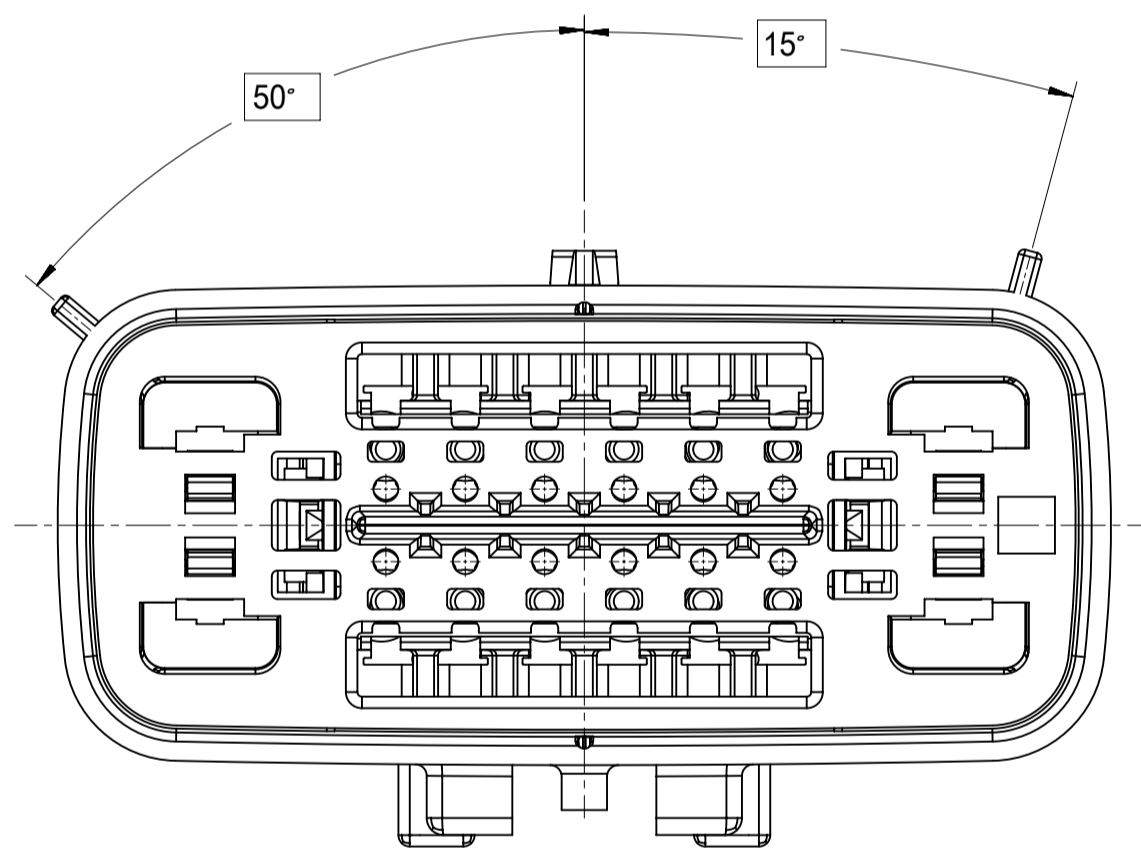
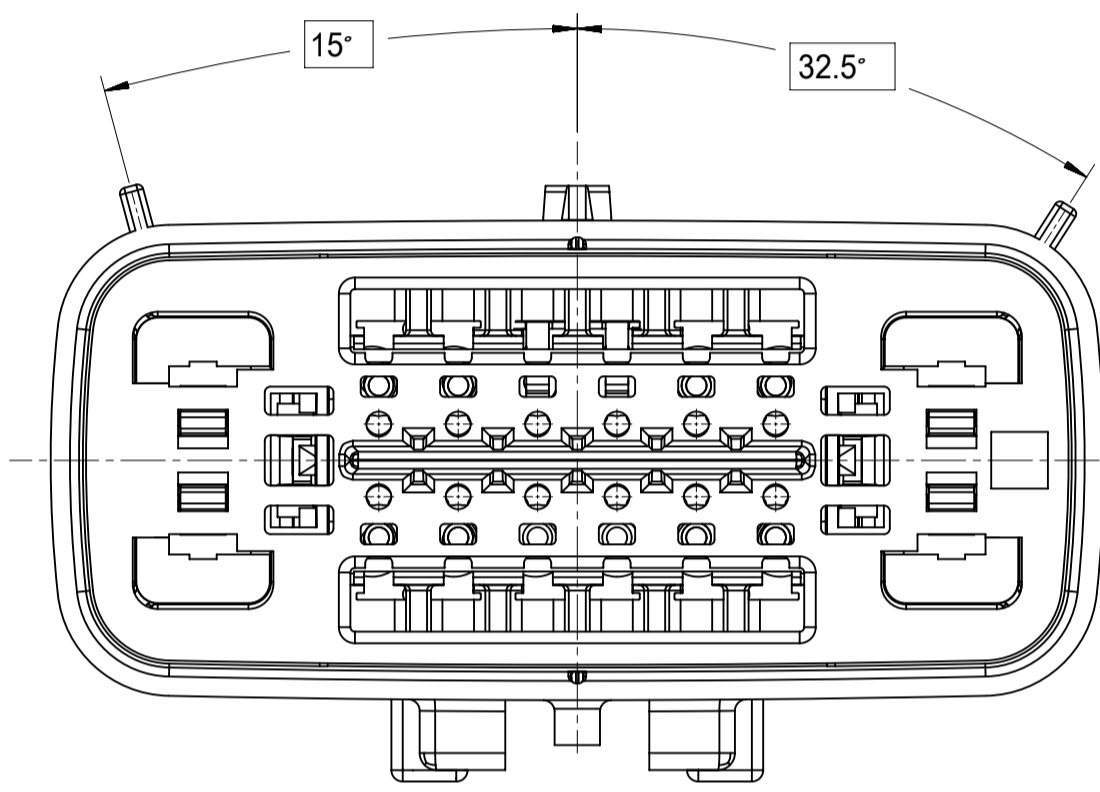
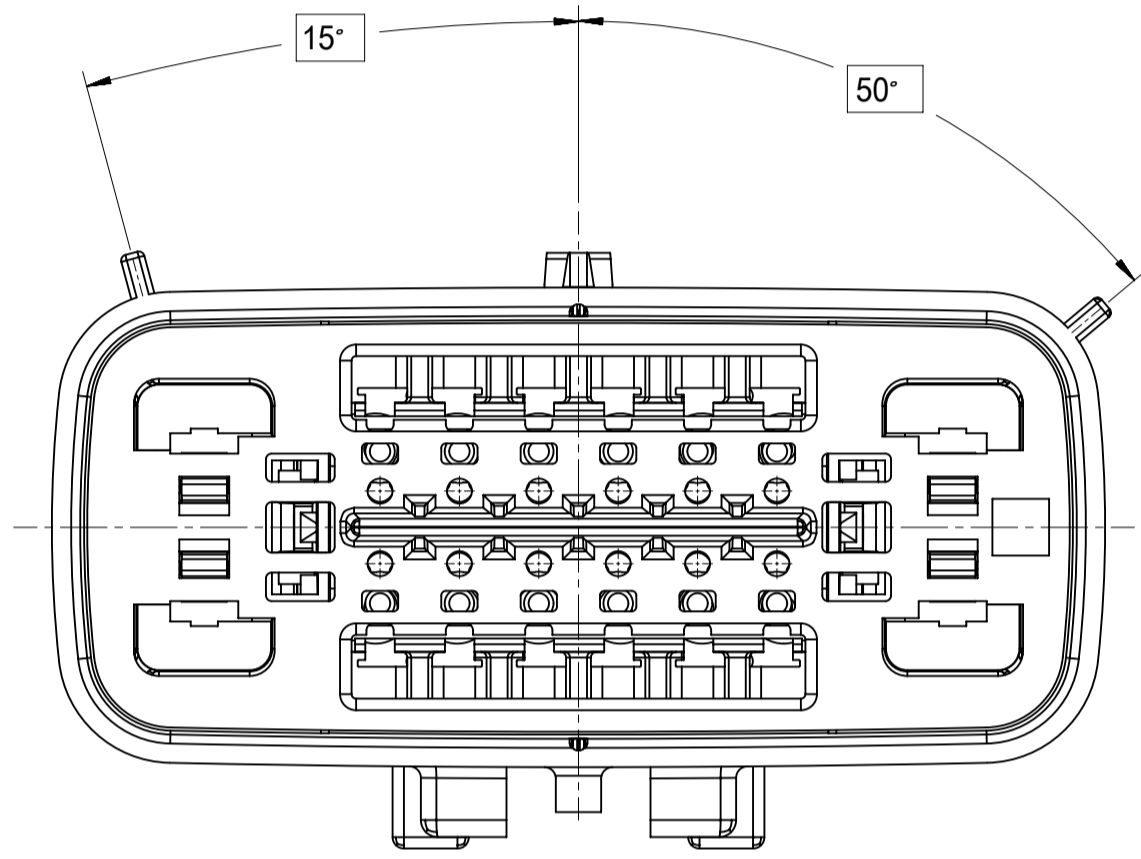
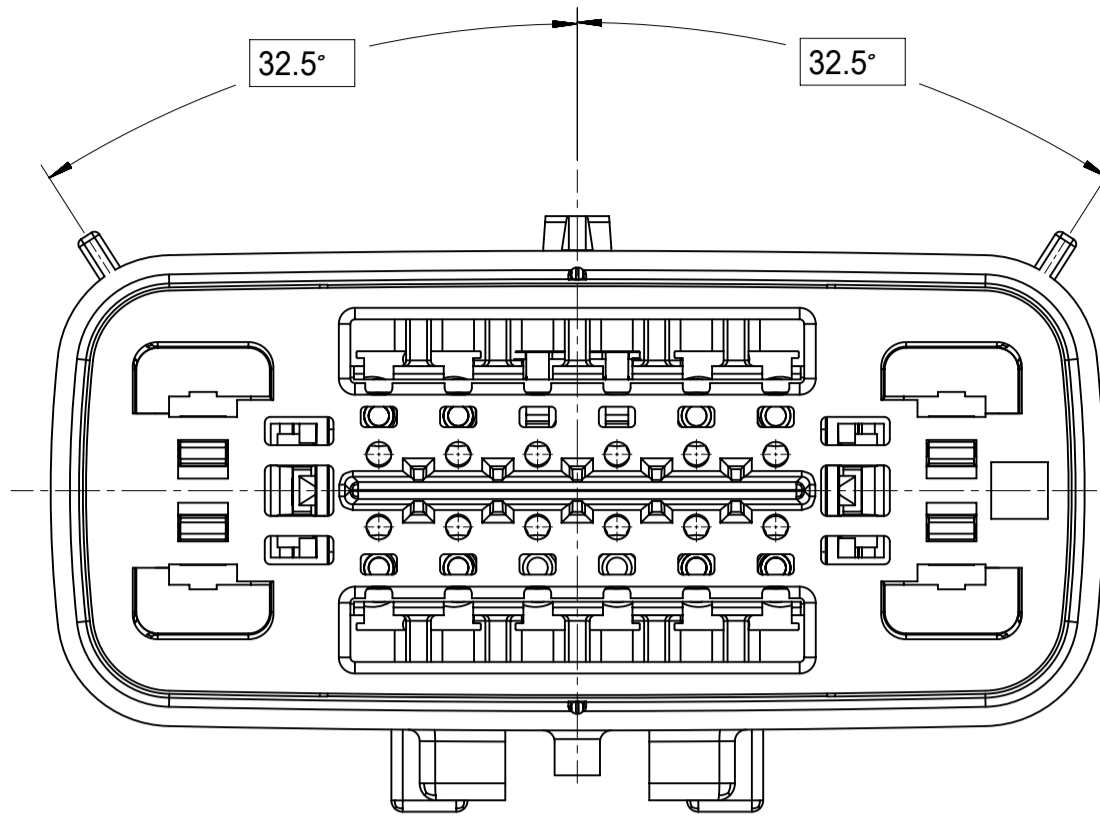
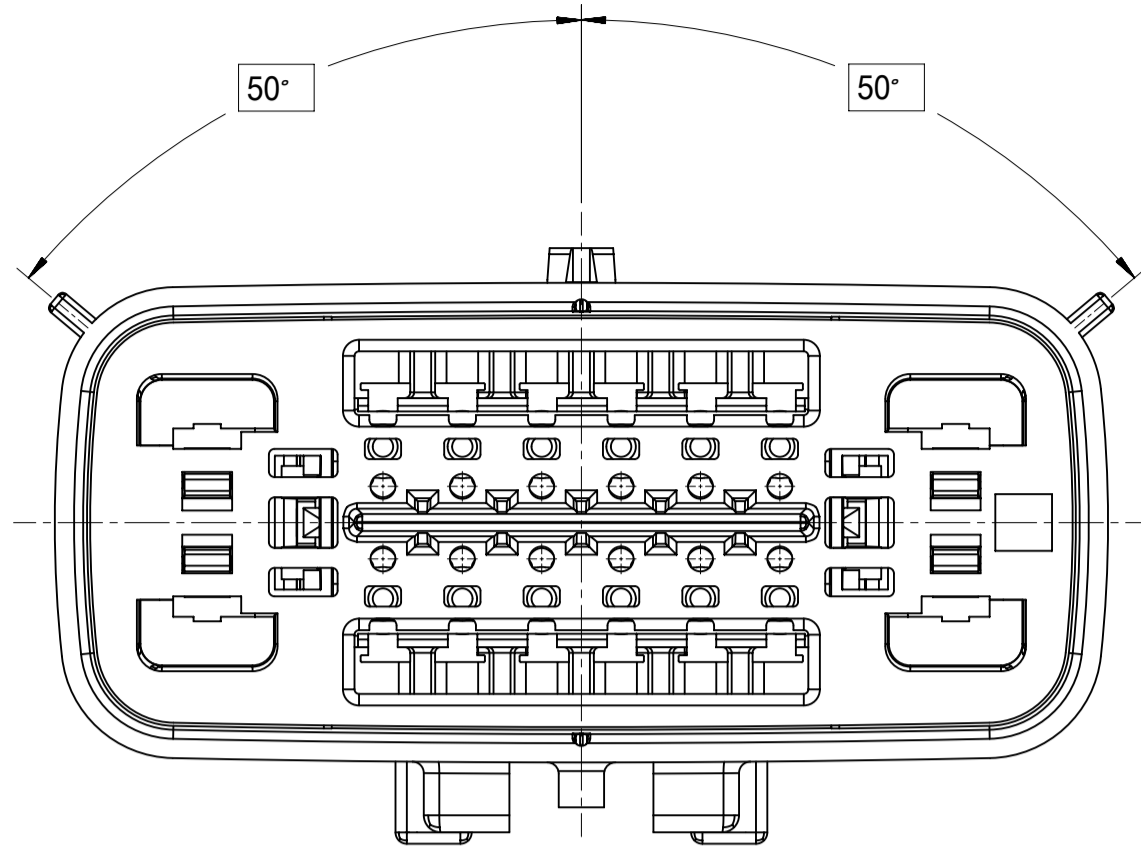


SHORTING BAR GROMMET CAP 5

SYMBOLS	THIS DRAWING CONTAINS INFORMATION THAT IS PROPRIETARY TO MOLEX ELECTRONIC TECHNOLOGIES, LLC AND SHOULD NOT BE USED WITHOUT WRITTEN PERMISSION		CURRENT REV DESC:				
	DIMENSION UNITS	SCALE					
▽ = 0	mm	2.5:1	GENERAL TOLERANCES (UNLESS SPECIFIED)		CHK'D: MVANSLAMBROU	2018/06/12	PRODUCT CUSTOMER DRAWING
▽ = 0	ANGULAR TOL ± 3.0°		APPR: MVANSLAMBROU		2018/06/12	DOCUMENT NUMBER	
▽ = 0	4 PLACES ±		INITIAL REVISION:		DRWN: APROFFITT	2013/05/06	SD-34986-8001
▽ = 0	3 PLACES ±		APPR: VKOSHY		2013/05/16	DOC TYPE	
▽ = 0	2 PLACES ± 0.1		MATERIAL NUMBER		CUSTOMER	REVISION	PSD 001 C1
▽ = 0	1 PLACE ± 0.3		SERIES		GENERAL MARKET	SHEET NUMBER	
▽ = 0	0 PLACES ±		THIRD ANGLE PROJECTION		DRAWING	A1-SIZE	2 OF 5
▽ = 0	DRAFT WHERE APPLICABLE MUST REMAIN WITHIN DIMENSIONS		SERIES		34986		

SHEET DESCRIPTION

KEY CONFIGURATIONS



SYMBOLS	THIS DRAWING CONTAINS INFORMATION THAT IS PROPRIETARY TO MOLEX ELECTRONIC TECHNOLOGIES, LLC AND SHOULD NOT BE USED WITHOUT WRITTEN PERMISSION		CURRENT REV DESC:	
	DIMENSION UNITS	SCALE		
▽ = 0	mm	3:1		
▽ = 0	GENERAL TOLERANCES (UNLESS SPECIFIED)			
▽ = 0	ANGULAR TOL ± 3.0°			
▽ = 0	4 PLACES	±	EC NO: 177763	
▽ = 0	3 PLACES	±	DRWN: LSONG05 2018/05/30	
▽ = 0	2 PLACES	± 0.1	CHK'D: MVANSLAMBROU 2018/06/12	
▽ = 0	1 PLACE	± 0.3	APPR: MVANSLAMBROU 2018/06/12	
▽ = 0	0 PLACES	±	INITIAL REVISION:	
⊠ = 0	DRAFT WHERE APPLICABLE MUST REMAIN WITHIN DIMENSIONS		DRWN: APROFFITT 2013/05/06	
⊠ = 0			APPR: VKOSHY 2013/05/16	
⊠ = 0	THIRD ANGLE PROJECTION	DRAWING	SERIES	DOCUMENT NUMBER
		A1-SIZE	34986	SD-34986-8001
				DOC TYPE DOC PART REVISION
				PSD 001 C1
				PRODUCT CUSTOMER DRAWING
				MATERIAL NUMBER CUSTOMER SHEET NUMBER
				GENERAL MARKET 3 OF 5

molex

MX150 16 WAY HYBRID
BLADE SEALED ASSEMBLY

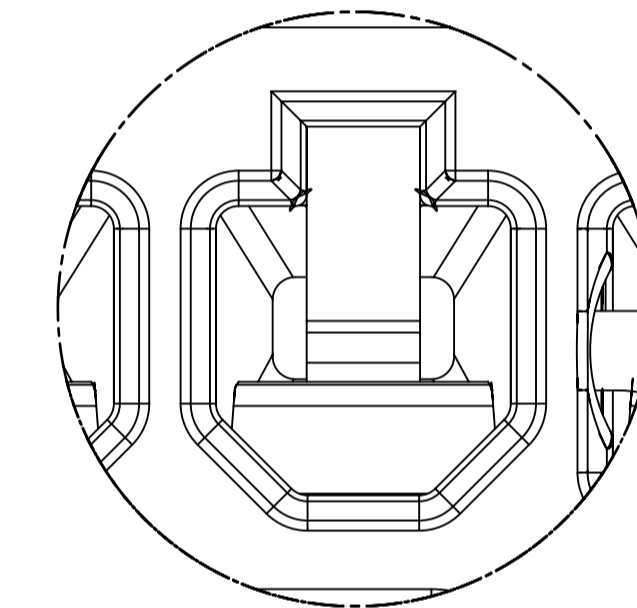
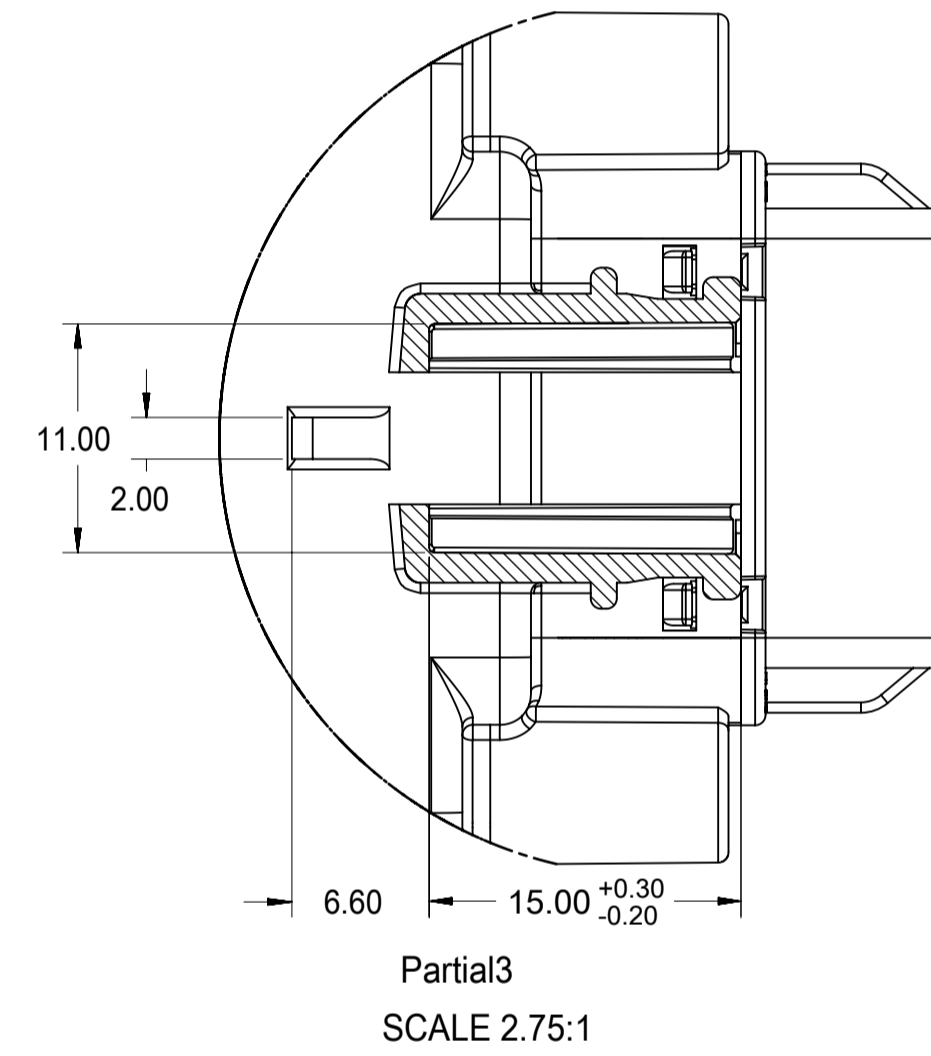
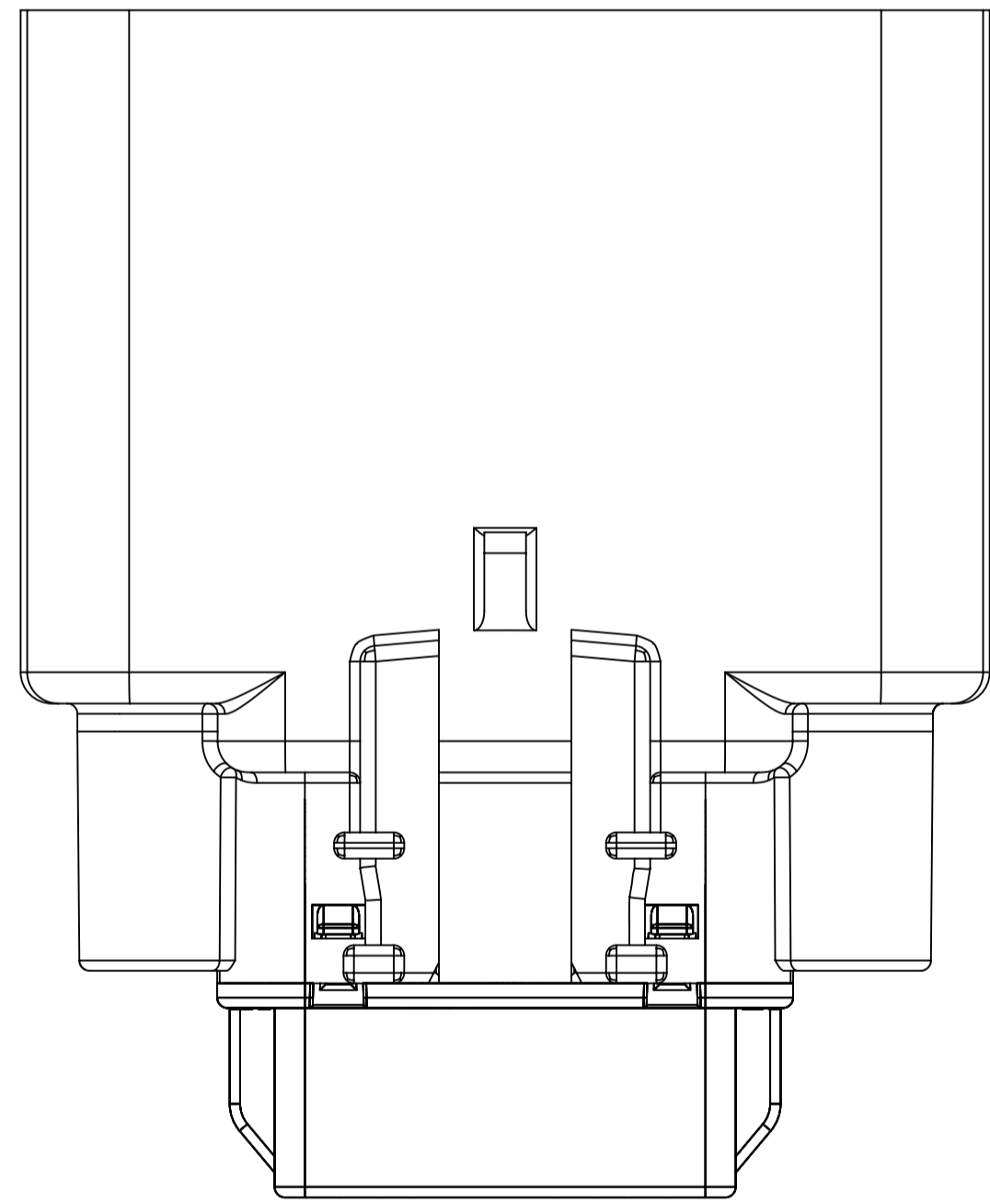
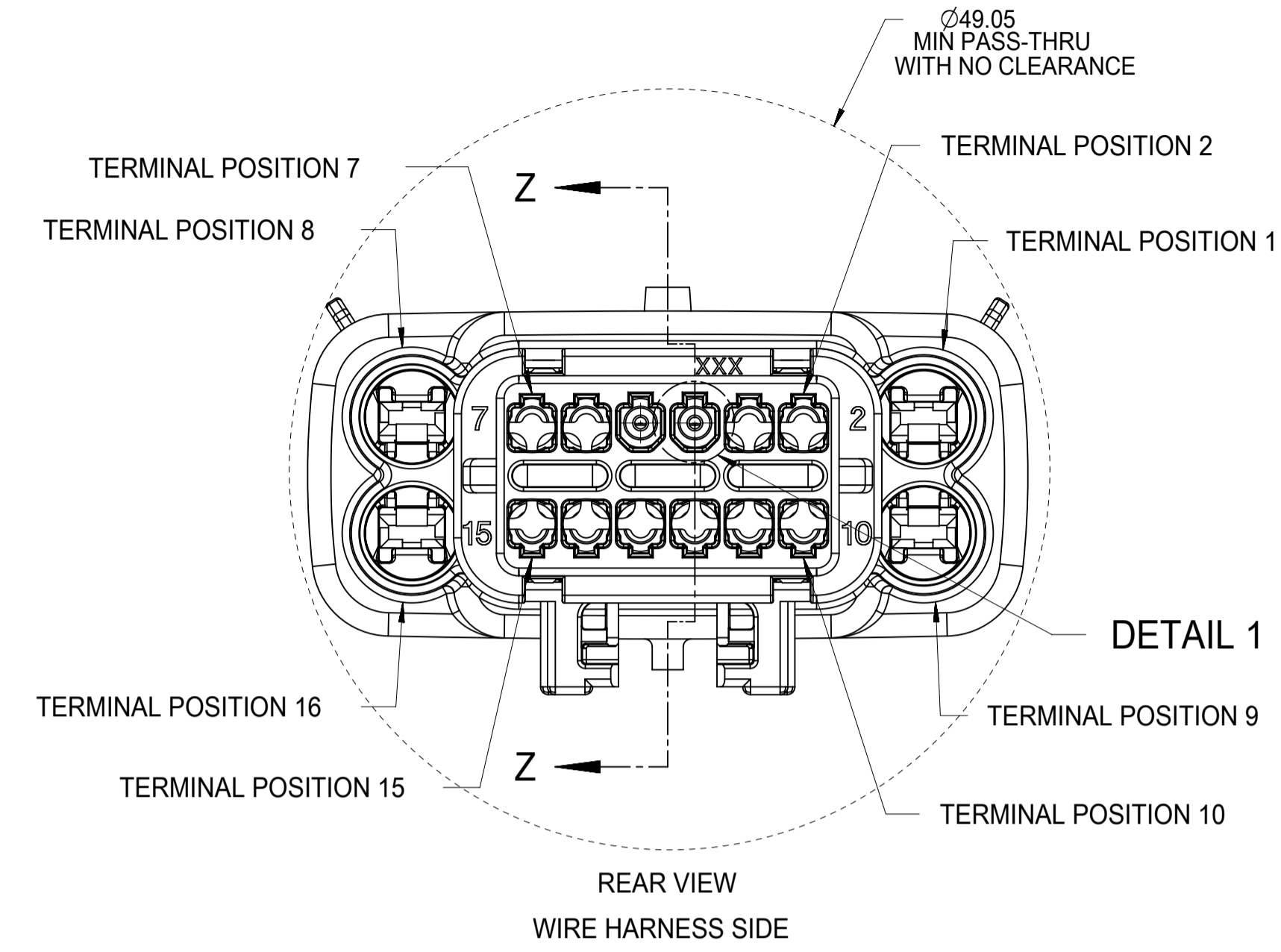
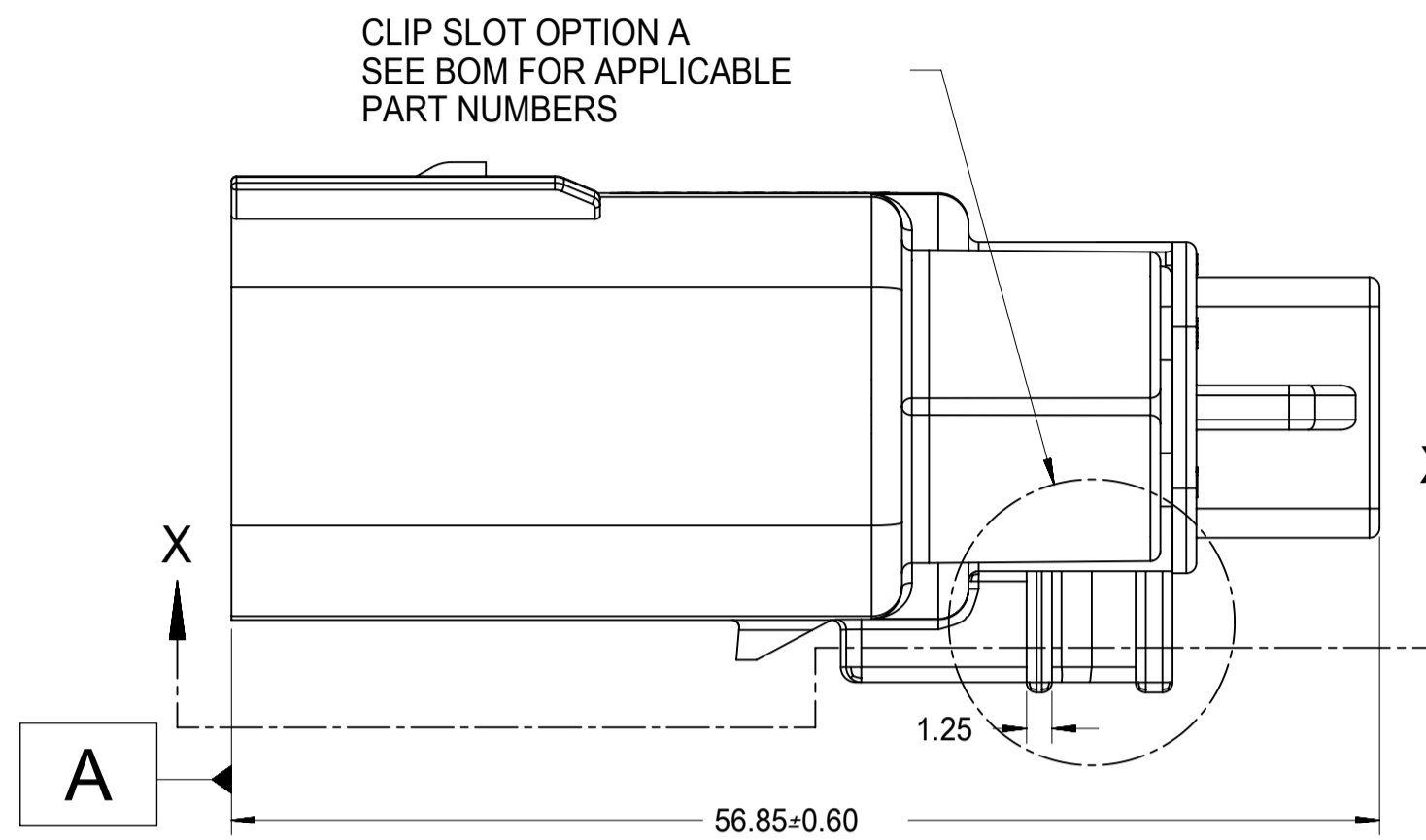
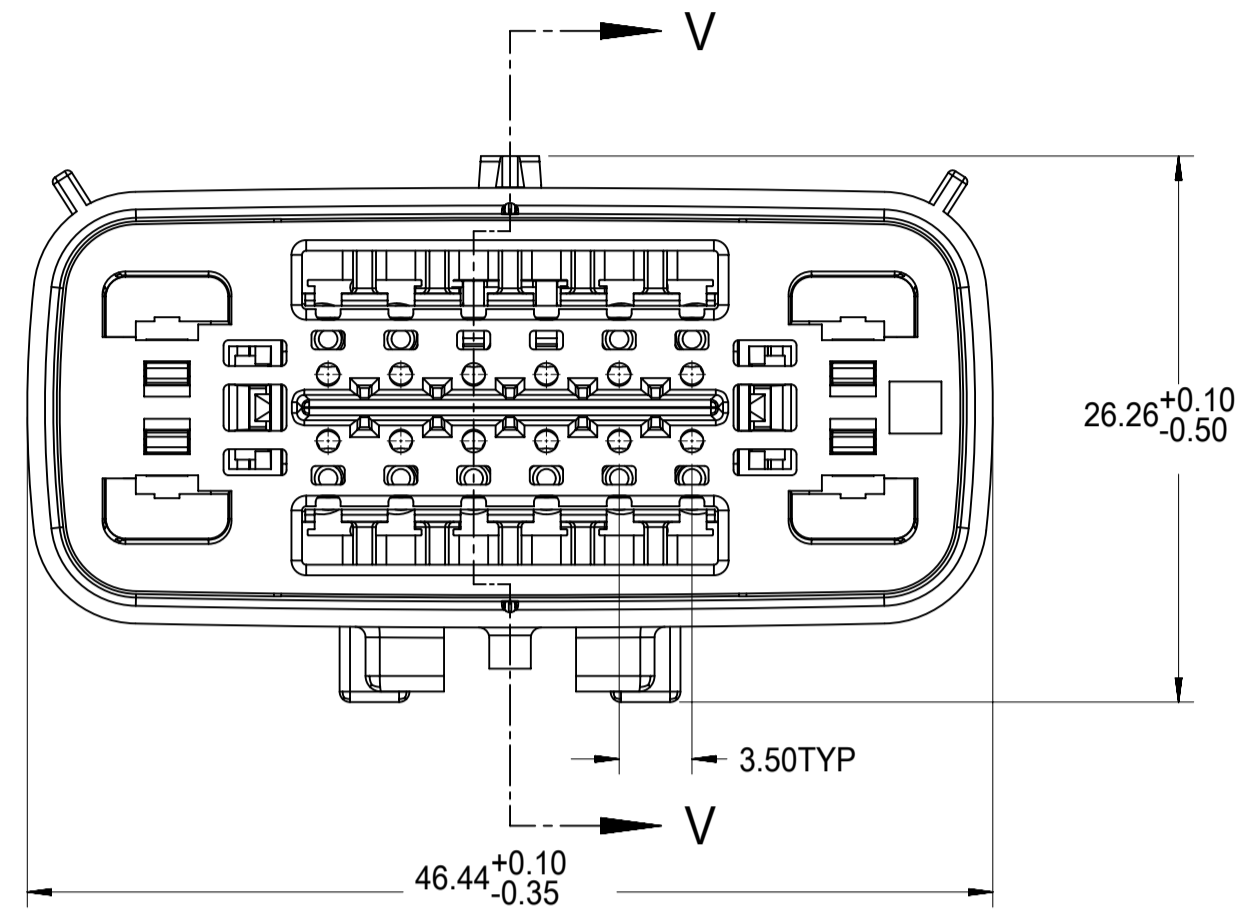
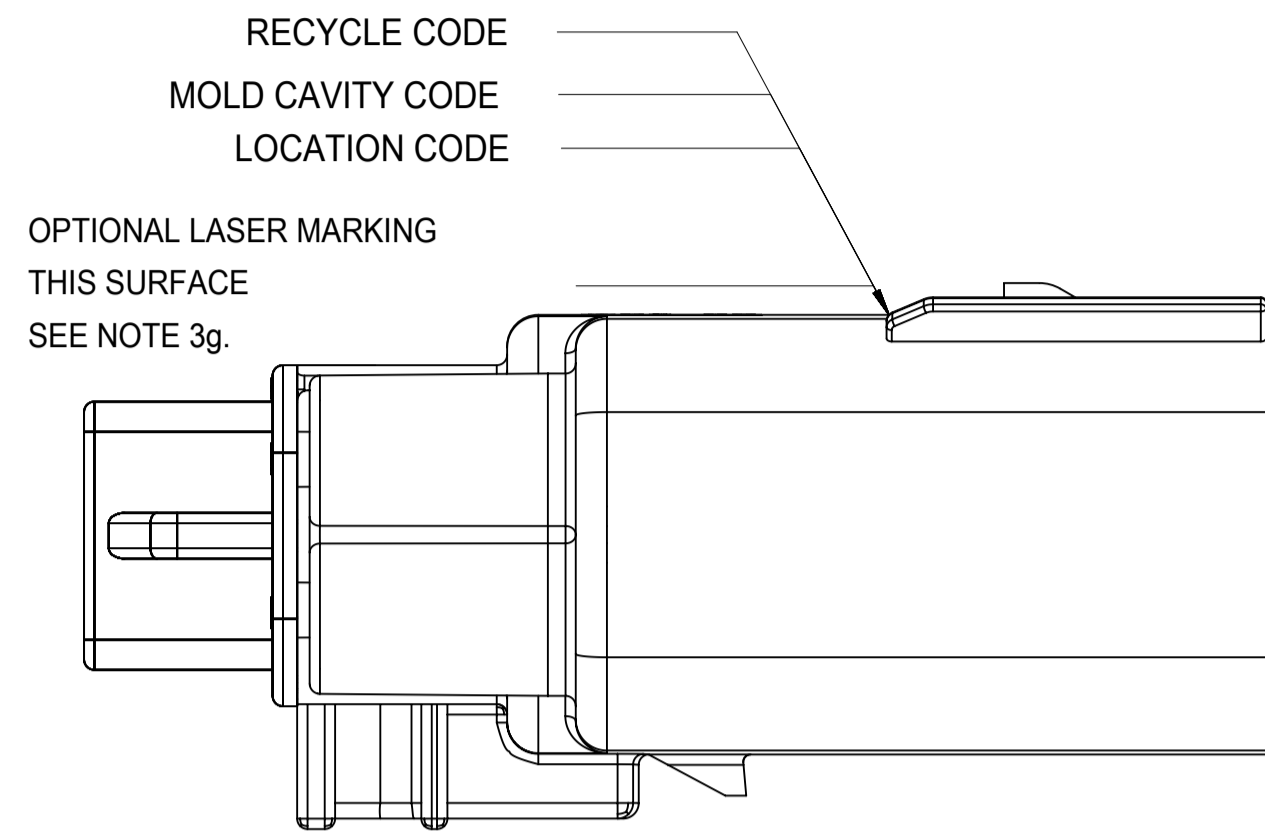
PRODUCT CUSTOMER DRAWING

SD-34986-8001 PSD 001 C1

GENERAL MARKET 3 OF 5

SHEET DESCRIPTION

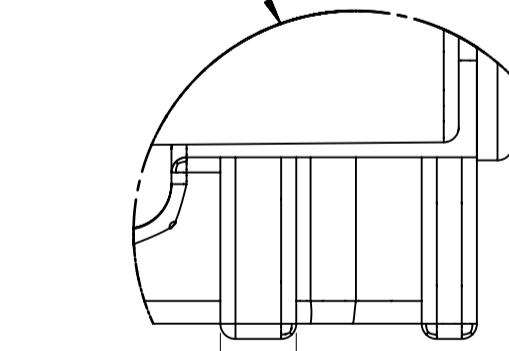
BLADE SEALED ASSEMBLY



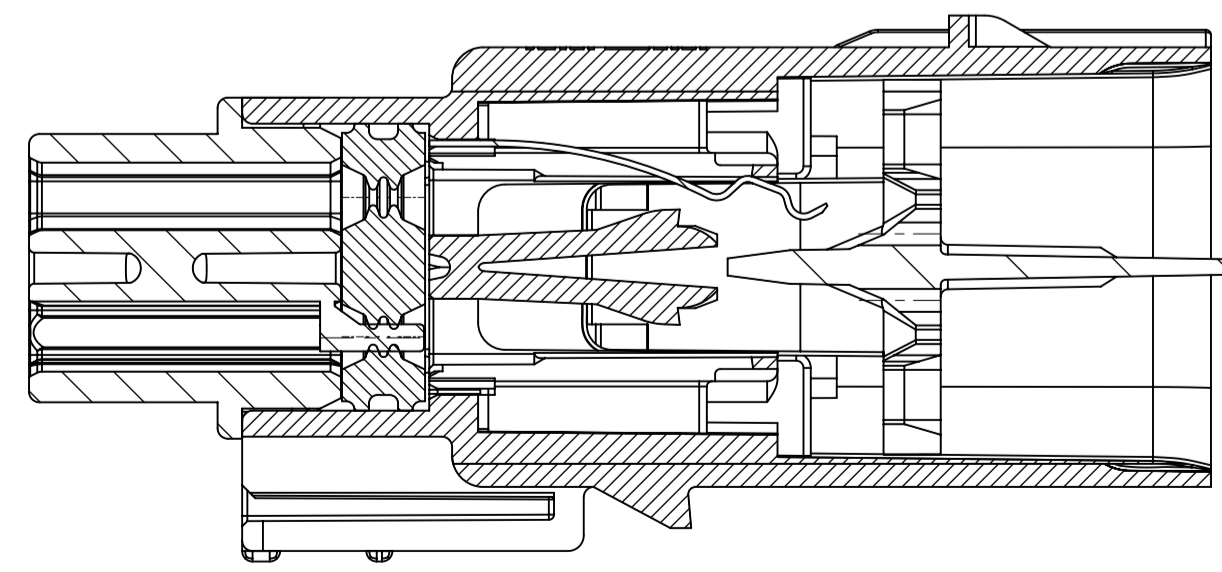
SHORTING BAR (SB) CIRCUITS ARE IDENTIFIED BY THE GROMMET CAP OPENING FEATURE SHOWN ABOVE.

DETAIL 1
SCALE 15:1

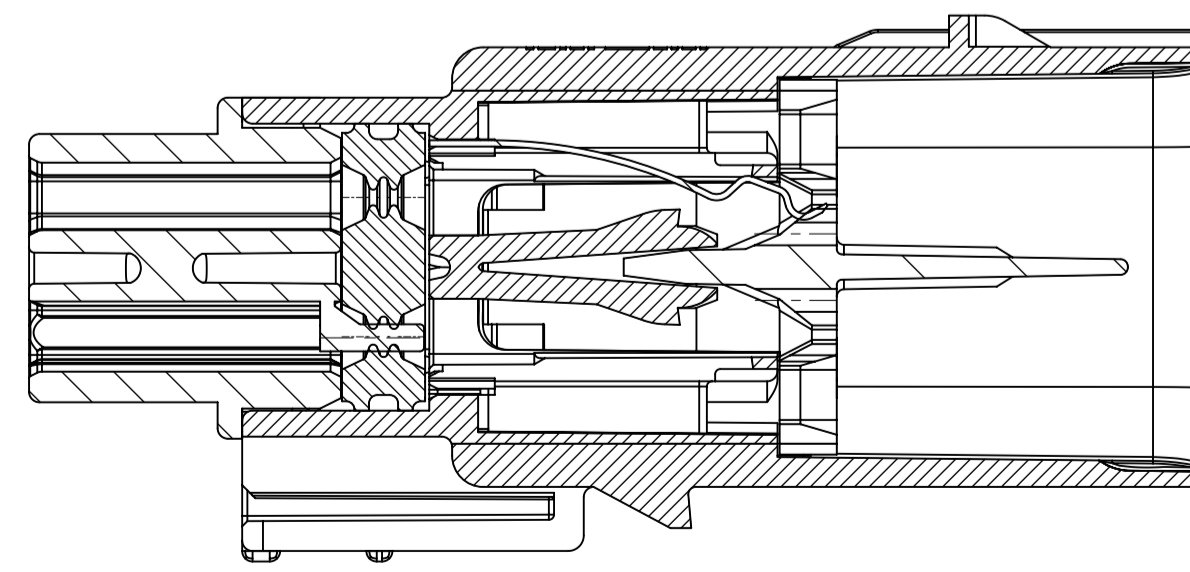
CLIP SLOT OPTION B
SEE BOM FOR APPLICABLE
PART NUMBERS



Partial1
SCALE 4:1



PRIMARY LOCK REINFORCEMENT (PLR) SHOWN
IN PRE-STAGED POSITION
SECTION Z-Z

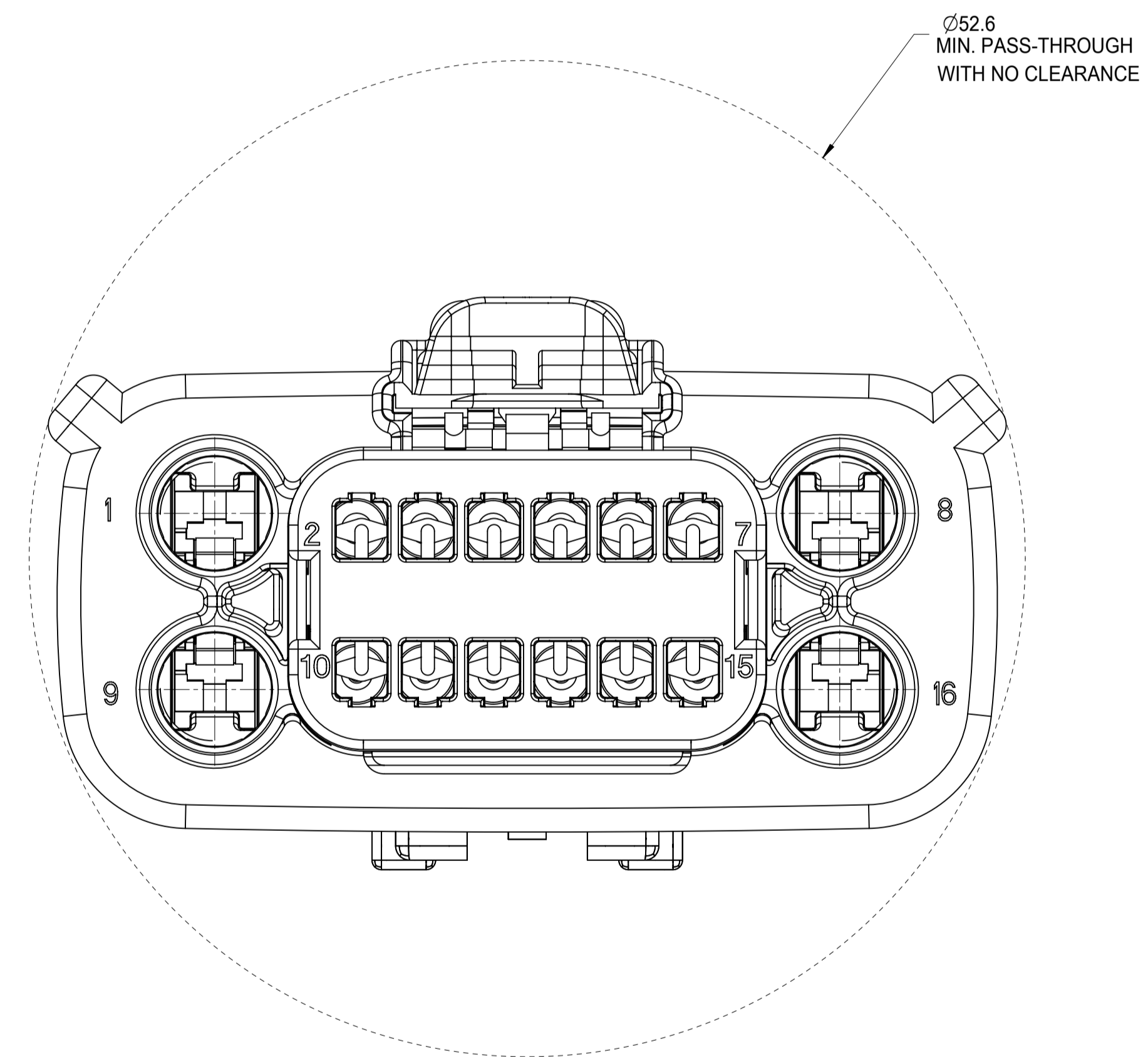
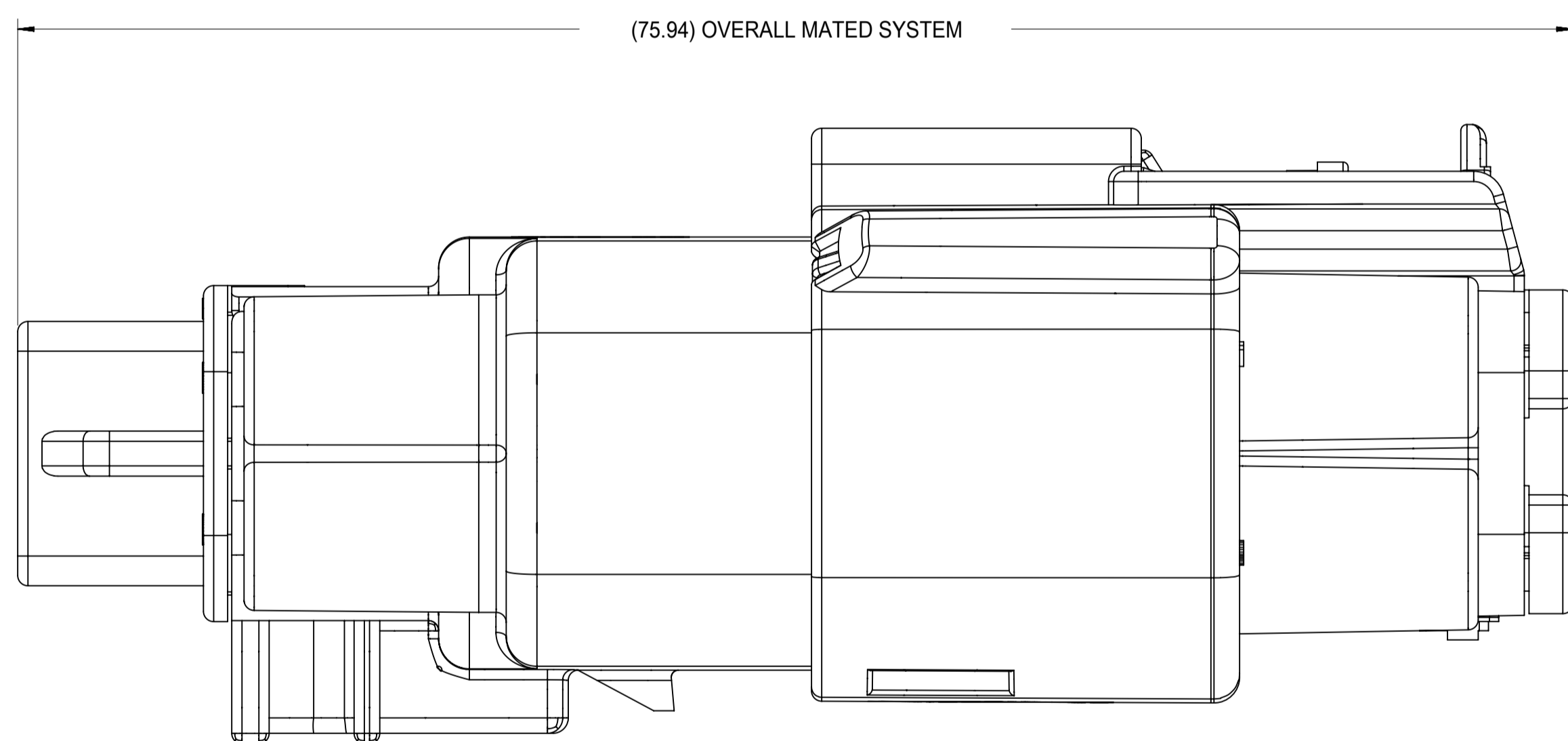


PRIMARY LOCK REINFORCEMENT (PLR) SHOWN
IN FINAL-LOCK POSITION
SECTION V-V

SYMBOLS		THIS DRAWING CONTAINS INFORMATION THAT IS PROPRIETARY TO MOLEX ELECTRONIC TECHNOLOGIES, LLC AND SHOULD NOT BE USED WITHOUT WRITTEN PERMISSION		CURRENT REV DESC:		molex	
	= 0	DIMENSION UNITS	SCALE			MX150 16 WAY HYBRID BLADE SEALED ASSEMBLY	
	= 0	mm	3:1			PRODUCT CUSTOMER DRAWING	
	= 0	GENERAL TOLERANCES (UNLESS SPECIFIED)		EC NO: 177763		DOCUMENT NUMBER	
	= 0	ANGULAR TOL ± 3.0°		DRWN: LSONG05 2018/05/30		DOC TYPE DOC PART REVISION	
	= 0	4 PLACES ±		CHK'D: MVANSLAMBROU 2018/06/12		SD-34986-8001	
	= 0	3 PLACES ±		APPR: MVANSLAMBROU 2018/06/12		PSD 001 C1	
	= 0	2 PLACES ± 0.1		INITIAL REVISION:		MATERIAL NUMBER	
	= 0	1 PLACE ± 0.3		DRWN: APROFFITT 2013/05/06		CUSTOMER	
	= 0	0 PLACES ±		APPR: VKOSHY 2013/05/16		GENERAL MARKET	
	= 0	DRAFT WHERE APPLICABLE MUST REMAIN WITHIN DIMENSIONS		THIRD ANGLE PROJECTION	DRAWING	SERIES	SHEET NUMBER
	= 0				A1-SIZE	34986	4 OF 5

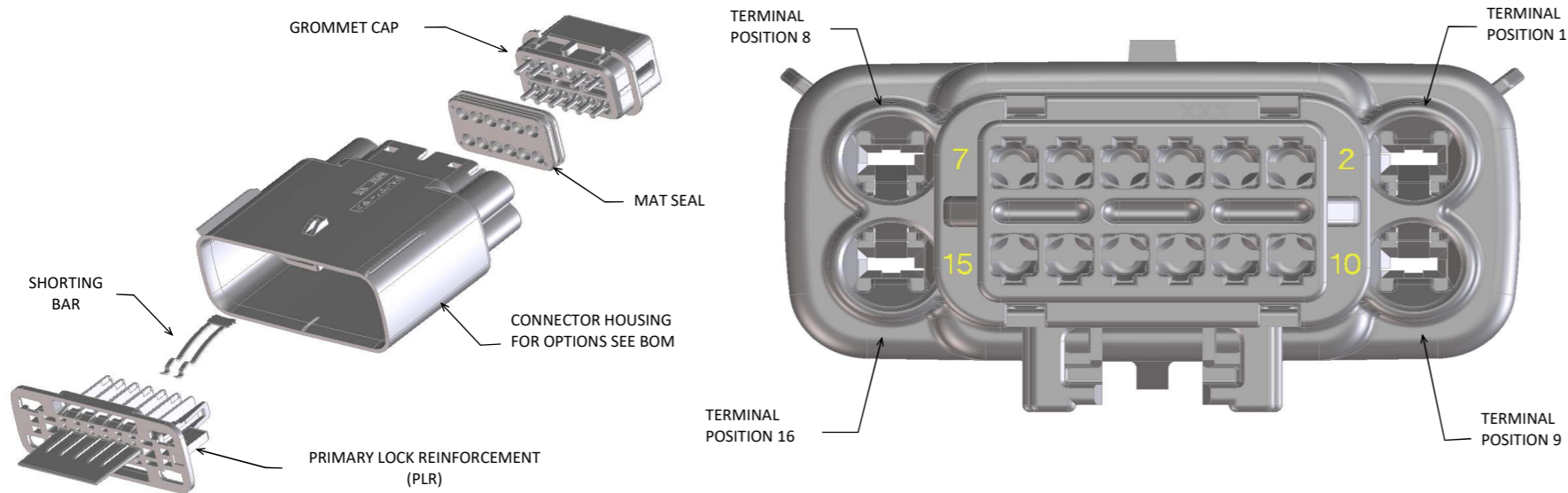
SHEET DESCRIPTION

SYSTEM PACKAGING



SYMBOLS		THIS DRAWING CONTAINS INFORMATION THAT IS PROPRIETARY TO MOLEX ELECTRONIC TECHNOLOGIES, LLC AND SHOULD NOT BE USED WITHOUT WRITTEN PERMISSION		CURRENT REV DESC:		molex	
▽ = 0	DIMENSION UNITS	mm	SCALE	3:1		MX150 16 WAY HYBRID BLADE SEALED ASSEMBLY	
▽ = 0	GENERAL TOLERANCES (UNLESS SPECIFIED)		EC NO: 177763		PRODUCT CUSTOMER DRAWING		
▽ = 0	ANGULAR TOL ± 3.0°		DRWN: LSONG05 2018/05/30		DOCUMENT NUMBER		DOC TYPE DOC PART REVISION
▽ = 0	4 PLACES ±	CHK'D: MVANSLAMBROU 2018/06/12		SD-34986-8001		PSD	001
▽ = 0	3 PLACES ±	APPR: MVANSLAMBROU 2018/06/12		INITIAL REVISION:		C1	
▽ = 0	2 PLACES ± 0.1	DRWN: APROFFITT 2013/05/06		DRWN: APROFFITT 2013/05/06		MATERIAL NUMBER	
▽ = 0	1 PLACE ± 0.3	APPR: VKOSHY 2013/05/16		APPR: VKOSHY 2013/05/16		CUSTOMER	
☒ = 0	DRAFT WHERE APPLICABLE MUST REMAIN WITHIN DIMENSIONS		THIRD ANGLE PROJECTION		DRAWING		SHEET NUMBER
■ = 0			A1-SIZE		SERIES		GENERAL MARKET
▽ = 0			34986		CUSTOMER		5 OF 5

MX150 16 WAY HYBRID BLADE SEALED ASSEMBLY MAT SEAL (2.8mm CAVITIES OPEN)
BOM AND PIN OUT SHEET



ABBREVIATION	DESCRIPTION	COLOR	MATERIAL
A-BLK	HOUSING, KEYING OPTION A	BLACK	SPS/NYLON GF20
B-LG	HOUSING, KEYING OPTION B	LIGHT GRAY	SPS/NYLON GF20
C-BR	HOUSING, KEYING OPTION C	BROWN	SPS/NYLON GF20
D-GR	HOUSING, KEYING OPTION D	GREEN	SPS/NYLON GF20
A-YW	HOUSING, KEYING OPTION A	YELLOW	SPS/NYLON GF20
C-DG	HOUSING, KEYING OPTION C	DARK GRAY	SPS/NYLON GF20
D-SG	HOUSING, KEYING OPTION D	STONE GRAY	SPS/NYLON GF20
E-BLK	HOUSING, KEYING OPTION E	BLACK	SPS/NYLON GF20
F-LG	HOUSING, KEYING OPTION F*	LIGHT GRAY	SPS/NYLON GF20
G-BR	HOUSING, KEYING OPTION G	BROWN	SPS/NYLON GF20
H-YW	HOUSING, KEYING OPTION H	YELLOW	SPS/NYLON GF20
GC-S	STANDARD GROMMET CAP	BLACK	SPS/NYLON GF20
GC-SB1	SHORTING BAR GROMMET CAP 1	BLACK	SPS/NYLON GF20
GC-SB2	SHORTING BAR GROMMET CAP 2	BLACK	SPS/NYLON GF20
GC-SB3	SHORTING BAR GROMMET CAP 3	BLACK	SPS/NYLON GF20
GC-SB4	SHORTING BAR GROMMET CAP 4	BLACK	SPS/NYLON GF20
GC-SB5	SHORTING BAR GROMMET CAP 5	BLACK	SPS/NYLON GF20
GC-SB6	SHORTING BAR GROMMET CAP 6	BLACK	SPS/NYLON GF20
SB	SHORTING BAR	GOLD PL	30100 STAINLESS STEEL
PLR	PLR	NATURAL	SPS/NYLON GF20
M	MAT SEAL	RUST RED	INHERENTLY LUBRICATED SILICONE

CLIPSLOT TYPE "A" STANDARD FOR ALL KEYING OPTIONS
*CLIPSLOT TYPE "B" OPTIONAL

FOR ADDITIONAL INFORMATION SEE SD-34986-8001

ASSEMBLY DESCRIPTION	ASSEMBLY PART NUMBER	COMPONENT					BLOCKED TERMINALS																STATUS	COMMENTS	OPTIONAL ATTACHMENTS SOLD SEPERATELY					
		THE PRESENCE OF AN ABBREVIATION INDICATES THE PRESENCE OF THAT COMPONENT.					CAVITY WITH A NUMBER INDICATES BLOCKED TERMINAL POSITION CAVITY WITHOUT A NUMBER INDICATES OPEN TERMINAL POSITION																		BACKSHELL WITH RIBS	BACKSHELL WITHOUT RIBS				
		HOUSING KEY/COLOR	GROMMET CAP	PLR	MAT SEAL	SB QTY	1	2	3	4	5	6	7	8	9	10	11	12	13	14	15	16								
KEY A, BLACK	34986-1601	A-BLK	GC-S	PLR	M																						SALEABLE		349531610	NOT AVAILABLE
KEY B, LIGHT GRAY	34986-1602	B-LG	GC-S	PLR	M																						SALEABLE		349531610	NOT AVAILABLE
KEY C, BROWN	34986-1603	C-BR	GC-S	PLR	M																						NOT RECOMMENDED	SEE 34986-1959	349531610	NOT AVAILABLE
KEY D, GREEN	34986-1604	D-GR	GC-S	PLR	M																						NOT RECOMMENDED	SEE 34986-1960	349531610	NOT AVAILABLE
KEY A, YELLOW	34986-1605	A-YW	GC-S	PLR	M																						SALEABLE		349531610	NOT AVAILABLE
KEY A, BLACK	34986-1606	A-BLK	GC-S	PLR	M																						SALEABLE		349531610	NOT AVAILABLE
KEY B, LIGHT GRAY	34986-1607	B-LG	GC-S	PLR	M																						SALEABLE		349531610	NOT AVAILABLE
KEY C, BROWN	34986-1608	C-BR	GC-S	PLR	M																						NOT RECOMMENDED		349531610	NOT AVAILABLE
KEY D, GREEN	34986-1609	D-GR	GC-S	PLR	M																						NOT RECOMMENDED		349531610	NOT AVAILABLE
KEY A, YELLOW	34986-1610	A-YW	GC-S	PLR	M																						SALEABLE		349531610	NOT AVAILABLE
KEY A, BLACK	34986-1611	A-BLK	GC-S	PLR	M																						SALEABLE		349531610	NOT AVAILABLE
KEY B, LIGHT GRAY	34986-1612	B-LG	GC-S	PLR	M																						SALEABLE		349531610	NOT AVAILABLE
KEY C, BROWN	34986-1613	C-BR	GC-S	PLR	M																						NOT RECOMMENDED		349531610	NOT AVAILABLE
KEY D, GREEN	34986-1614	D-GR	GC-S	PLR	M																						NOT RECOMMENDED		349531610	NOT AVAILABLE
KEY A, YELLOW	34986-1615	A-YW	GC-S	PLR	M																						SALEABLE		349531610	NOT AVAILABLE
KEY A, BLACK	34986-1621	A-BLK	GC-S	PLR	M																						SALEABLE		349531610	NOT AVAILABLE
KEY A, BLACK	34986-1626	A-BLK	GC-S	PLR	M																						SALEABLE		349531610	NOT AVAILABLE
KEY A, BLACK	34986-1631	A-BLK	GC-S	PLR	M																						SALEABLE		349531610	NOT AVAILABLE
KEY A, BLACK	34986-1636	A-BLK	GC-S	PLR	M																						SALEABLE		349531610	NOT AVAILABLE
KEY A, BLACK	34986-1641	A-BLK	GC-S	PLR	M																						SALEABLE		349531610	NOT AVAILABLE
KEY A, BLACK	34986-1646	A-BLK	GC-S	PLR	M																						SALEABLE		349531610	NOT AVAILABLE
KEY A, BLACK	34986-1651	A-BLK	GC-S	PLR	M																						SALEABLE		349531610	NOT AVAILABLE
KEY A, BLACK	34986-1656	A-BLK	GC-S	PLR	M																						SALEABLE		349531610	NOT AVAILABLE
KEY A, BLACK	34986-1661	A-BLK	GC-S	PLR	M																						SALEABLE		349531610	NOT AVAILABLE
KEY A, BLACK	34986-1666	A-BLK	GC-S	PLR	M																						SALEABLE		349531610	NOT AVAILABLE
KEY A, BLACK	34986-1671	A-BLK	GC-S	PLR	M																						SALEABLE		349531610	NOT AVAILABLE
KEY A, BLACK	34986-1672	A-BLK	GC-S	PLR	M																						SALEABLE		349531610	NOT AVAILABLE
KEY E, BLACK, WITH S.B.	34986-1701	E-BLK	GC-SB1	PLR	M	2																					SALEABLE		349531610	NOT AVAILABLE
KEY F, LIGHT GRAY, WITH S.B.	34986-1702	F-LG	GC-SB1	PLR	M	2																					SALEABLE		349531610	NOT AVAILABLE
KEY G, BROWN, WITH S.B.	34986-1703	G-BR	GC-SB1	PLR	M	2																					SALEABLE		349531610	NOT AVAILABLE
KEY H, YELLOW, WITH S.B.	34986-1704	H-YW	GC-SB1	PLR	M	2																					SALEABLE		349531610	NOT AVAILABLE
KEY H, YELLOW, WITH S.B.	34986-1708	H-YW	GC-SB1	PLR	M	2																					SALEABLE		349531610	NOT AVAILABLE
KEY H, YELLOW, WITH S.B.	34986-1710	H-YW	GC-SB1	PLR	M	2																					SALEABLE		349531610	NOT AVAILABLE
KEY H, YELLOW, WITH S.B.	34986-1712	H-YW	GC-SB1	PLR	M	2																					SALEABLE		349531610	NOT AVAILABLE
KEY E, BLACK, WITH S.B.	34986-1714	E-BLK	GC-SB2	PLR	M	1																					SALEABLE		349531610	NOT AVAILABLE
KEY B, LIGHT GRAY	34986-1715	B-LG	GC-S	PLR	M																						SALEABLE		349531610	NOT AVAILABLE
KEY A, BLACK	34986-1716	A-BLK	GC-S	PLR	M																						SALEABLE		349531610	NOT AVAILABLE
KEY A, BLACK	34986-1717	A-BLK	GC-S	PLR	M																						SALEABLE		349531610	NOT AVAILABLE
KEY A, BLACK	34986-1718	A-BLK	GC-S	PLR	M																						SALEABLE		349531610	NOT AVAILABLE
KEY A, BLACK	34986-1719	A-BLK	GC-S	PLR	M																						SALEABLE		349531610	NOT AVAILABLE
KEY A, BLACK	34986-1720	A-BLK	GC-S	PLR	M																						SALEABLE		349531610	NOT AVAILABLE
KEY F, LIGHT GRAY, WITH S.B.	34986-1721	F-LG	GC-SB2	PLR	M	1																					SALEABLE		349531610	NOT AVAILABLE
KEY F, LIGHT GRAY, WITH S.B.	34986-1722	F-LG	GC-SB2	PLR	M	1																					SALEABLE		349531610	NOT AVAILABLE
KEY F, LIGHT GRAY, WITH S.B.	34986-1723	F-LG	GC-SB2	PLR	M	1																					SALEABLE		349531610	NOT AVAILABLE
KEY F, LIGHT GRAY, WITH S.B.	34986-1724	F-LG	GC-SB2	PLR	M	1																					SALEABLE		349531610	NOT AVAILABLE
KEY F, LIGHT GRAY, WITH S.B.	34986-1725	F-LG	GC-SB2	PLR	M	1																					SALEABLE		349531610	NOT AVAILABLE
KEY F, LIGHT GRAY, WITH S.B.	34986-1726	F-LG	GC-SB2	PLR	M	1																					SALEABLE		349531610	NOT AVAILABLE
KEY F, LIGHT GRAY, WITH S.B.	34986-1727	F-LG	GC-SB2	PLR	M	1																					SALEABLE		349531610	NOT AVAILABLE
KEY F, LIGHT GRAY, WITH S.B.	34986-1728	F-LG	GC-SB2	PLR	M	1																					SALEABLE		349531610	NOT AVAILABLE
KEY F, LIGHT GRAY	34986-1729	F-LG	GC-S	PLR	M																						SALEABLE		349531610	NOT AVAILABLE
KEY F, LIGHT GRAY, WITH S.B.	34986-1731	F-LG	GC-SB2	PLR	M	1																					SALEABLE		349531610	NOT AVAILABLE
KEY A, BLACK	34986-1732	A-BLK	GC-S	PLR	M																						SALEABLE		349531610	NOT AVAILABLE
KEY E, BLACK, WITH S.B.	34986-1733	E-BLK	GC-SB3	PLR	M	4																					SALEABLE		349531610	NOT AVAILABLE
KEY E, BLACK, WITH S.B.	34986-1734	E-BLK	GC-SB4	PLR	M	3																					SALEABLE		349531610	NOT AVAILABLE
KEY E, BLACK, WITH S.B.	34986-1739	E-BLK	GC-SB1	PLR	M	2																					SALEABLE		349531610	NOT AVAILABLE
KEY E, BLACK, WITH S.B.	34986-1740	E-BLK	GC-SB1	PLR	M	2																					SALEABLE		349531610	NOT AVAILABLE
KEY E, BLACK, WITH S.B.	34986-1741	E-BLK	GC-SB1	PLR	M	2																					SALEABLE		349531610	NOT AVAILABLE
KEY E, BLACK, WITH S.B.	34986-1742	E-BLK	GC-SB1	PLR	M	2																					SALEABLE		349531610	NOT AVAILABLE

MX150 16 WAY HYBRID BLADE SEALED ASSEMBLY MAT SEAL (2.8mm CAVITIES OPEN)
BOM AND PIN OUT SHEET

ASSEMBLY DESCRIPTION	ASSEMBLY PART NUMBER	COMPONENT					BLOCKED TERMINALS																STATUS	COMMENTS	OPTIONAL ATTACHMENTS SOLD SEPARATELY			
		THE PRESENCE OF AN ABBREVIATION INDICATES THE PRESENCE OF THAT COMPONENT.					CAVITY WITH A NUMBER INDICATES BLOCKED TERMINAL POSITION CAVITY WITHOUT A NUMBER INDICATES OPEN TERMINAL POSITION																		BACKSHELL WITH RIBS	BACKSHELL WITHOUT RIBS		
		HOUSING KEY/COLOR	GROMMET CAP	PLR	MAT SEAL	SB QTY	1	2	3	4	5	6	7	8	9	10	11	12	13	14	15	16						
KEY A, BLACK	34986-1743	A-BLK	GC-5	PLR	M					5	6														SALEABLE		349531610	NOT AVAILABLE
KEY A, BLACK	34986-1744	A-BLK	GC-5	PLR	M					5	6								13	14	15				SALEABLE		349531610	NOT AVAILABLE
KEY A, BLACK	34986-1745	A-BLK	GC-5	PLR	M			3		6						11			14					SALEABLE		349531610	NOT AVAILABLE	
KEY A, BLACK	34986-1746	A-BLK	GC-5	PLR	M					6						11			14					SALEABLE		349531610	NOT AVAILABLE	
KEY A, BLACK	34986-1747	A-BLK	GC-5	PLR	M			2	3	6					11			14	15					SALEABLE		349531610	NOT AVAILABLE	
KEY A, BLACK	34986-1748	A-BLK	GC-5	PLR	M			2		6					11			14	15					SALEABLE		349531610	NOT AVAILABLE	
KEY A, BLACK	34986-1749	A-BLK	GC-5	PLR	M					6					10	11	12	13	14	15				SALEABLE		349531610	NOT AVAILABLE	
KEY A, BLACK	34986-1750	A-BLK	GC-5	PLR	M										11	12	13	14	15					SALEABLE		349531610	NOT AVAILABLE	
KEY B, LIGHT GRAY	34986-1751	B-LG	GC-5	PLR	M					5								13	14	15				SALEABLE		349531610	NOT AVAILABLE	
KEY B, LIGHT GRAY	34986-1752	B-LG	GC-5	PLR	M					5								13	14	15				SALEABLE		349531610	NOT AVAILABLE	
KEY E, BLACK, WITH S.B.	34986-1753	E-BLK	GC-SB1	PLR	M	2		2		SB	SB							SB	SB		15			SALEABLE		349531610	NOT AVAILABLE	
KEY A, BLACK	34986-1754	A-BLK	GC-5	PLR	M			2							10	11								SALEABLE		349531610	NOT AVAILABLE	
KEY A, BLACK	34986-1755	A-BLK	GC-5	PLR	M			2										13			15			SALEABLE		349531610	NOT AVAILABLE	
KEY A, BLACK	34986-1756	A-BLK	GC-5	PLR	M				3		6	7						13						SALEABLE		349531610	NOT AVAILABLE	
KEY A, BLACK	34986-1757	A-BLK	GC-5	PLR	M			2	3		6													SALEABLE		349531610	NOT AVAILABLE	
KEY A, BLACK	34986-1758	A-BLK	GC-5	PLR	M			2	3		6									14				SALEABLE		349531610	NOT AVAILABLE	
KEY E, BLACK, WITH S.B.	34986-1759	E-BLK	GC-SB4	PLR	M	3		2	3	SB	SB	SB	SB					SB	SB		14	15		SALEABLE		349531610	NOT AVAILABLE	
KEY E, BLACK, WITH S.B.	34986-1760	E-BLK	GC-SB4	PLR	M	3				SB	SB	SB	SB											SALEABLE		349531610	NOT AVAILABLE	
KEY F, LIGHT GRAY, WITH S.B.	34986-1761	F-LG	GC-SB2	PLR	M	1				SB	SB							12	13	14				SALEABLE		349531610	NOT AVAILABLE	
KEY H, YELLOW, WITH S.B.	34986-1762	H-YW	GC-SB1	PLR	M	2				SB	SB								SB	SB				SALEABLE		349531610	NOT AVAILABLE	
KEY H, YELLOW, WITH S.B.	34986-1763	H-YW	GC-SB1	PLR	M	2				SB	SB								SB	SB		14		SALEABLE		349531610	NOT AVAILABLE	
KEY F, LIGHT GRAY, WITH S.B.	34986-1764	F-LG	GC-SB2	PLR	M	1				SB	SB	6	7			10	11	12	13	14				SALEABLE		349531610	NOT AVAILABLE	
KEY F, LIGHT GRAY, WITH S.B.	34986-1765	F-LG	GC-SB2	PLR	M	1				SB	SB	6				10	11	12	13	14				SALEABLE		349531610	NOT AVAILABLE	
KEY H, YELLOW, WITH S.B.	34986-1766	H-YW	GC-SB1	PLR	M	2				SB	SB	6	7			10	11	SB	SB		14			SALEABLE		349531610	NOT AVAILABLE	
KEY H, YELLOW, WITH S.B.	34986-1767	H-YW	GC-SB1	PLR	M	2				SB	SB	6				10	11	SB	SB		14			SALEABLE		349531610	NOT AVAILABLE	
KEY A, BLACK	34986-1768	A-BLK	GC-5	PLR	M				3		5	6				11						15		SALEABLE		349531610	NOT AVAILABLE	
KEY A, BLACK	34986-1769	A-BLK	GC-5	PLR	M						6									14				SALEABLE		349531610	NOT AVAILABLE	
KEY A, BLACK	34986-1770	A-BLK	GC-5	PLR	M								7					12	13	14	15			SALEABLE		349531610	NOT AVAILABLE	
KEY A, BLACK	34986-1771	A-BLK	GC-5	PLR	M			2										12	13	14	15			SALEABLE		349531610	NOT AVAILABLE	
KEY H, YELLOW, WITH S.B.	34986-1772	H-YW	GC-SB2	PLR	M	1				SB	SB							12	13					SALEABLE		349531610	NOT AVAILABLE	
KEY H, YELLOW, WITH S.B.	34986-1773	H-YW	GC-SB2	PLR	M	1		2		SB	SB							12	13			15		SALEABLE		349531610	NOT AVAILABLE	
KEY H, YELLOW, WITH S.B.	34986-1774	H-YW	GC-SB2	PLR	M	1			3	SB	SB	6	7			10	11	12	13	14				SALEABLE		349531610	NOT AVAILABLE	
KEY H, YELLOW, WITH S.B.	34986-1775	H-YW	GC-SB2	PLR	M	1		2	3	SB	SB	6	7			10	11	12	13	14	15			SALEABLE		349531610	NOT AVAILABLE	
KEY A, BLACK	34986-1776	A-BLK	GC-5	PLR	M				2	3						10	11			14	15			SALEABLE		349531610	NOT AVAILABLE	
KEY A, BLACK	34986-1777	A-BLK	GC-5	PLR	M			2	3							10	11	12		14	15			SALEABLE		349531610	NOT AVAILABLE	
KEY A, BLACK	34986-1778	A-BLK	GC-5	PLR	M				2	4	5	6	7			10	11	12		14	15			SALEABLE		349531610	NOT AVAILABLE	
KEY A, BLACK	34986-1779	A-BLK	GC-5	PLR	M			2	3													15		SALEABLE		349531610	NOT AVAILABLE	
KEY A, BLACK	34986-1780	A-BLK	GC-5	PLR	M			2		4						10	11			13		15		SALEABLE		349531610	NOT AVAILABLE	
KEY A, BLACK	34986-1781	A-BLK	GC-5	PLR	M			2	3							10				13		15		SALEABLE		349531610	NOT AVAILABLE	
KEY E, BLACK, WITH S.B.	34986-1782	E-BLK	GC-SB4	PLR	M	3				SB	SB	SB	SB						SB	SB		14	15	SALEABLE		349531610	NOT AVAILABLE	
KEY A, BLACK	34986-1783	A-BLK	GC-5	PLR	M				2	3								11	12		14			SALEABLE		349531610	NOT AVAILABLE	
KEY A, BLACK	34986-1784	A-BLK	GC-5	PLR	M			2										11			14	15		SALEABLE		349531610	NOT AVAILABLE	
KEY A, BLACK	34986-1785	A-BLK	GC-5	PLR	M			2										11	12		14	15		SALEABLE		349531610	NOT AVAILABLE	
KEY A, BLACK	34986-1786	A-BLK	GC-5	PLR	M			2										11	12					SALEABLE		349531610	NOT AVAILABLE	
KEY A, BLACK	34986-1787	A-BLK	GC-5	PLR	M			2										11						SALEABLE		349531610	NOT AVAILABLE	
KEY A, BLACK	34986-1788	A-BLK	GC-5	PLR	M					3														SALEABLE		349531610	NOT AVAILABLE	
KEY A, BLACK	34986-1789	A-BLK	GC-5	PLR	M																			SALEABLE		349531610	NOT AVAILABLE	
KEY A, BLACK	34986-1790	A-BLK	GC-5	PLR	M			2		4										13		15		SALEABLE		349531610	NOT AVAILABLE	
KEY A, BLACK	34986-1791	A-BLK	GC-5	PLR	M			2		4												15		SALEABLE		349531610	NOT AVAILABLE	
KEY A, BLACK	34986-1792	A-BLK	GC-5	PLR	M					3														SALEABLE		349531610	NOT AVAILABLE	
KEY A, BLACK	34986-1793	A-BLK	GC-5	PLR	M																			SALEABLE		349531610	NOT AVAILABLE	
KEY A, BLACK	34986-1794	A-BLK	GC-5	PLR	M					3														SALEABLE		349531610	NOT AVAILABLE	
KEY A, BLACK	34986-1795	A-BLK	GC-5	PLR	M			2		4												15		SALEABLE		349531610	NOT AVAILABLE	
KEY A, BLACK	34986-1796	A-BLK	GC-5	PLR	M													11						SALEABLE		349531610	NOT AVAILABLE	
KEY A, BLACK	34986-1797	A-BLK	GC-5	PLR	M													11	12	13				SALEABLE		349531610	NOT AVAILABLE	
KEY A, BLACK	34986-1798	A-BLK	GC-5	PLR	M					3											13		15	SALEABLE		349531610	NOT AVAILABLE	
KEY A, BLACK	34986-1799	A-BLK	GC-5	PLR	M			2	3												13		15	SALEABLE		349531610	NOT AVAILABLE	
KEY A, BLACK	34986-1801	A-BLK	GC-5	PLR	M			2	3	4											13	14	15	SALEABLE		349531610	NOT AVAILABLE	
KEY A, BLACK	34986-1802	A-BLK	GC-5	PLR	M			2													12			SALEABLE		349531610	NOT AVAILABLE	
KEY A, BLACK	34986-1803	A-BLK	GC-5	PLR	M					3	4	5												SALEABLE		349531610	NOT AVAILABLE	
KEY A, BLACK	34986-1804	A-BLK	GC-5	PLR	M					3	4	5												SALEABLE		349531610	NOT AVAILABLE	
KEY A, BLACK	34986-1805	A-BLK	GC-5	PLR	M																			SALEABLE		349531610	NOT AVAILABLE	
KEY A, BLACK	34986-1806	A-BLK	GC-5	PLR	M																			SALEABLE		349531610	NOT AVAILABLE	
KEY A, BLACK	34986-1807	A-BLK	GC-5	PLR	M			2	3															SALEABLE		349531610	NOT AVAILABLE	
KEY A, YELLOW	34986-1808	A-YW	GC-5	PLR	M																			SALEABLE		349531610	NOT AVAILABLE	
KEY B, LIGHT GRAY	34986-1809	B-LG	GC-5	PLR	M																			SALEABLE		349531610	NOT AVAILABLE	
KEY B, LIGHT GRAY	34986-1810	B-LG	GC-5	PLR	M																			SALEABLE		349531610	NOT AVAILABLE	
KEY B, LIGHT GRAY	34986-1811	B-LG	GC-5	PLR	M																			SALEABLE		349531610	NOT AVAILABLE	
KEY A, BLACK	34986-1812	A-BLK	GC-5	PLR	M			2</																				

MX150 16 WAY HYBRID BLADE SEALED ASSEMBLY MAT SEAL (2.8mm CAVITIES OPEN)
BOM AND PIN OUT SHEET

ASSEMBLY DESCRIPTION	ASSEMBLY PART NUMBER	COMPONENT					BLOCKED TERMINALS																STATUS	COMMENTS	OPTIONAL ATTACHMENTS SOLD SEPARATELY	
		THE PRESENCE OF AN ABBREVIATION INDICATES THE PRESENCE OF THAT COMPONENT.					CAVITY WITH A NUMBER INDICATES BLOCKED TERMINAL POSITION CAVITY WITHOUT A NUMBER INDICATES OPEN TERMINAL POSITION																		BACKSHELL WITH RIBS	BACKSHELL WITHOUT RIBS
		HOUSING KEY/COLOR	GROMMET CAP	PLR	MAT SEAL	SB QTY	1	2	3	4	5	6	7	8	9	10	11	12	13	14	15	16				
KEY B, LIGHT GRAY	34986-1928	B-LG	GC-5	PLR	M			2	3	4	5	6	7			10	11	12	13	14	15	SALEABLE		349531610	NOT AVAILABLE	
KEY B, LIGHT GRAY	34986-1929	B-LG	GC-5	PLR	M							6	7									15	SALEABLE		349531610	NOT AVAILABLE
KEY A, BLACK	34986-1930	A-BLK	GC-5	PLR	M			2			5	6				10	11	12	13			SALEABLE		349531610	NOT AVAILABLE	
KEY A, BLACK	34986-1931	A-BLK	GC-5	PLR	M			2		4	5					10		12	13			SALEABLE		349531610	NOT AVAILABLE	
KEY A, BLACK	34986-1932	A-BLK	GC-5	PLR	M			2		4								12	13			SALEABLE		349531610	NOT AVAILABLE	
KEY A, BLACK	34986-1933	A-BLK	GC-5	PLR	M			2				6						12	13	14	15	SALEABLE		349531610	NOT AVAILABLE	
KEY A, BLACK	34986-1934	A-BLK	GC-5	PLR	M						5	6	7			10	11	12	13	14	15	SALEABLE		349531610	NOT AVAILABLE	
KEY A, BLACK	34986-1935	A-BLK	GC-5	PLR	M				3	4		6				10	11	12	13	14	15	SALEABLE		349531610	NOT AVAILABLE	
KEY A, BLACK	34986-1936	A-BLK	GC-5	PLR	M			2			5						11		13		15	SALEABLE		349531610	NOT AVAILABLE	
KEY A, BLACK	34986-1937	A-BLK	GC-5	PLR	M			2			5				10	11		13			15	SALEABLE		349531610	NOT AVAILABLE	
KEY A, BLACK	34986-1938	A-BLK	GC-5	PLR	M			2				6				10	11	12	13	14	15	SALEABLE		349531610	NOT AVAILABLE	
KEY A, BLACK	34986-1939	A-BLK	GC-5	PLR	M					4	5							12			15	SALEABLE		349531610	NOT AVAILABLE	
KEY A, BLACK	34986-1940	A-BLK	GC-5	PLR	M				3	4				7			10	11	12		14	15	SALEABLE		349531610	NOT AVAILABLE
KEY A, BLACK	34986-1941	A-BLK	GC-5	PLR	M																	15	SALEABLE		349531610	NOT AVAILABLE
KEY A, BLACK	34986-1942	A-BLK	GC-5	PLR	M			2	3		5		7			10	11	12	13	14	15	SALEABLE		349531610	NOT AVAILABLE	
KEY A, BLACK	34986-1943	A-BLK	GC-5	PLR	M							6	7				11		13			SALEABLE		349531610	NOT AVAILABLE	
KEY B, LIGHT GRAY	34986-1944	B-LG	GC-5	PLR	M					4									13			SALEABLE		349531610	NOT AVAILABLE	
KEY A, BLACK	34986-1945	A-BLK	GC-5	PLR	M				3	4						10	11	12				SALEABLE		349531610	NOT AVAILABLE	
KEY A, BLACK	34986-1946	A-BLK	GC-5	PLR	M							6						11		13		SALEABLE		349531610	NOT AVAILABLE	
KEY A, BLACK	34986-1947	A-BLK	GC-5	PLR	M			2	3			6					11		13			SALEABLE		349531610	NOT AVAILABLE	
KEY A, BLACK	34986-1948	A-BLK	GC-5	PLR	M					4											14	SALEABLE		349531610	NOT AVAILABLE	
KEY B, LIGHT GRAY	34986-1949	B-LG	GC-5	PLR	M					4												SALEABLE		349531610	NOT AVAILABLE	
KEY A, BLACK	34986-1950	A-BLK	GC-5	PLR	M								7			10		13	14	15		SALEABLE		349531610	NOT AVAILABLE	
KEY A, BLACK	34986-1951	A-BLK	GC-5	PLR	M								7					13	14	15		SALEABLE		349531610	NOT AVAILABLE	
KEY A, BLACK	34986-1952	A-BLK	GC-5	PLR	M										10			13	14			SALEABLE		349531610	NOT AVAILABLE	
KEY A, BLACK	34986-1953	A-BLK	GC-5	PLR	M									7		10		13			15	SALEABLE		349531610	NOT AVAILABLE	
KEY H, YELLOW, WITH S.B.	34986-1954	H-YW	GC-SB1	PLR	M	2		2	3	SB	SB							SB	SB		15	SALEABLE		349531610	NOT AVAILABLE	
KEY A, BLACK	34986-1955	A-BLK	GC-5	PLR	M							6						13				SALEABLE		349531610	NOT AVAILABLE	
KEY A, BLACK	34986-1956	A-BLK	GC-5	PLR	M								6					12	13	14	15	SALEABLE		349531610	NOT AVAILABLE	
KEY A, BLACK	34986-1957	A-BLK	GC-5	PLR	M									7				13		15		SALEABLE		349531610	NOT AVAILABLE	
KEY A, BLACK	34986-1958	A-BLK	GC-5	PLR	M										10			13				SALEABLE		349531610	NOT AVAILABLE	
KEY C, DARK GRAY	34986-1959	C-DG	GC-5	PLR	M																	SALEABLE		349531610	NOT AVAILABLE	
KEY D, STONE GRAY	34986-1960	D-SG	GC-5	PLR	M																	SALEABLE		349531610	NOT AVAILABLE	
KEY A, YELLOW	34986-1961	A-YW	GC-5	PLR	M			2													15	SALEABLE		349531610	NOT AVAILABLE	
KEY F, LIGHT GRAY	34986-1962	F-LG	GC-5	PLR	M					4	5	6	7			10	11	12	13	14	15	SALEABLE		349531610	NOT AVAILABLE	
KEY F, LIGHT GRAY, WITH S.B.	34986-1963	F-LG	GC-SB1	PLR	M	2		2	3	SB	SB	6	7					SB	SB	14	15	SALEABLE		349531610	NOT AVAILABLE	
KEY F, LIGHT GRAY, WITH S.B.	34986-1964	F-LG	GC-SB1	PLR	M	2				SB	SB	6	7					SB	SB	14	15	SALEABLE		349531610	NOT AVAILABLE	
KEY A, BLACK	34986-1965	A-BLK	GC-5	PLR	M				3		5					10	11	12				SALEABLE		349531610	NOT AVAILABLE	
KEY A, BLACK	34986-1966	A-BLK	GC-5	PLR	M			2	3	4	5					10	11	12	13		15	SALEABLE		349531610	NOT AVAILABLE	
KEY A, BLACK	34986-1967	A-BLK	GC-5	PLR	M			2	3			6					11					SALEABLE		349531610	NOT AVAILABLE	
KEY B, LIGHT GRAY	34986-1968	B-LG	GC-5	PLR	M					4		6							13			SALEABLE		349531610	NOT AVAILABLE	
KEY A, BLACK	34986-1969	A-BLK	GC-5	PLR	M			2	3		5	6					11				15	SALEABLE		349531610	NOT AVAILABLE	
KEY A, BLACK	34986-1970	A-BLK	GC-5	PLR	M			2			5	6					11				15	SALEABLE		349531610	NOT AVAILABLE	
KEY A, BLACK	34986-1971	A-BLK	GC-5	PLR	M			2	3	4						10	11	12				SALEABLE		349531610	NOT AVAILABLE	
KEY A, BLACK	34986-1972	A-BLK	GC-5	PLR	M											10					15	SALEABLE		349531610	NOT AVAILABLE	
KEY A, BLACK	34986-1973	A-BLK	GC-5	PLR	M											10	11	12	13	14	15	SALEABLE		349531610	NOT AVAILABLE	
KEY A, BLACK	34986-1974	A-BLK	GC-5	PLR	M			2								10	11	12	13	14	15	SALEABLE		349531610	NOT AVAILABLE	
KEY E, BLACK	34986-1975	E-BLK	GC-5	PLR	M			2	3	4	5	6	7			10	11	12	13	14	15	SALEABLE		349531610	NOT AVAILABLE	
KEY A, BLACK	34986-1976	A-BLK	GC-5	PLR	M			2	3			6	7					10	11	12	13	14	SALEABLE		349531610	NOT AVAILABLE
KEY A, BLACK	34986-1977	A-BLK	GC-5	PLR	M											10	11					SALEABLE		349531610	NOT AVAILABLE	
KEY A, BLACK	34986-1978	A-BLK	GC-5	PLR	M			2										12	13	14		SALEABLE		349531610	NOT AVAILABLE	
KEY A, BLACK	34986-1979	A-BLK	GC-5	PLR	M			2	3		5	6					11	12	13		15	SALEABLE		349531610	NOT AVAILABLE	
KEY A, BLACK	34986-1980	A-BLK	GC-5	PLR	M				3		5	6	7			10	11	12	13	14	15	SALEABLE		349531610	NOT AVAILABLE	
KEY A, BLACK	34986-1981	A-BLK	GC-5	PLR	M			2			5	6						12	13	14		SALEABLE		349531610	NOT AVAILABLE	
KEY A, BLACK	34986-1982	A-BLK	GC-5	PLR	M			2			5	6	7			10	11	12	13	14		SALEABLE		349531610	NOT AVAILABLE	
KEY A, BLACK	34986-1983	A-BLK	GC-5	PLR	M						5	6	7								15	SALEABLE		349531610	NOT AVAILABLE	
KEY A, BLACK	34986-1984	A-BLK	GC-5	PLR	M				3		5	6	7								15	SALEABLE		349531610	NOT AVAILABLE	
KEY A, BLACK	34986-1985	A-BLK	GC-5	PLR	M				3		5	6	7			10	11				15	SALEABLE		349531610	NOT AVAILABLE	
KEY A, BLACK	34986-1986	A-BLK	GC-5	PLR	M						5	6	7			10	11	12	13	14		SALEABLE		349531610	NOT AVAILABLE	
KEY A, BLACK	34986-1987	A-BLK	GC-5	PLR	M						5					10	11	12				SALEABLE		349531610	NOT AVAILABLE	
KEY A, BLACK	34986-1988	A-BLK	GC-5	PLR	M			2		4	5					10	11	12	13	14	15	SALEABLE		349531610	NOT AVAILABLE	
KEY A, BLACK	34986-1989	A-BLK	GC-5	PLR	M			2				6										SALEABLE		349531610	NOT AVAILABLE	
KEY A, BLACK	34986-1990	A-BLK	GC-5	PLR	M						5	6	7			10	11	12	13			SALEABLE		349531610	NOT AVAILABLE	
KEY A, BLACK	34986-1991	A-BLK	GC-5	PLR	M			2	3		5	6	7			10	11	12	13		15	SALEABLE		349531610	NOT AVAILABLE	
KEY A, BLACK	34986-1992	A-BLK	GC-5	PLR	M				3	4	5						11	12		14	15	SALEABLE		349531610	NOT AVAILABLE	
KEY A, BLACK	34986-1993	A-BLK	GC-5	PLR	M			2	3	4	5	6	7			10	11		13	14	15	SALEABLE		349531610	NOT AVAILABLE	
KEY A, BLACK	34986-1994	A-BLK	GC-5	PLR	M			2					7			10	11		13			SALEABLE		349531610	NOT AVAILABLE	
KEY A, BLACK	34986-1995	A-BLK	GC-5	PLR	M			2	3	4	5									14	15	SALEABLE		349531610	NOT AVAILABLE	
KEY A, BLACK	34986-1996	A-BLK	GC-5	PLR	M							6				10	11	12		14	15	SALEABLE		349531610	NOT AVAILABLE	
KEY A, BLACK	34986-1997	A-BLK	GC-5	PLR	M				3		6					10	11	12	13	14	15	SALEABLE		349531610	NOT AVAILABLE	
KEY A, BLACK	34986-1998	A-BLK	GC-5	PLR	M																					

MX150 16 WAY HYBRID BLADE SEALED ASSEMBLY MAT SEAL (2.8mm CAVITIES OPEN)
BOM AND PIN OUT SHEET

ASSEMBLY DESCRIPTION	ASSEMBLY PART NUMBER	COMPONENT					BLOCKED TERMINALS																STATUS	COMMENTS	OPTIONAL ATTACHMENTS SOLD SEPARATELY						
		THE PRESENCE OF AN ABBREVIATION INDICATES THE PRESENCE OF THAT COMPONENT.					CAVITY WITH A NUMBER INDICATES BLOCKED TERMINAL POSITION CAVITY WITHOUT A NUMBER INDICATES OPEN TERMINAL POSITION																		BACKSHELL WITH RIBS	BACKSHELL WITHOUT RIBS					
		HOUSING KEY/COLOR	GROMMET CAP	PLR	MAT SEAL	SB QTY	1	2	3	4	5	6	7	8	9	10	11	12	13	14	15	16									
KEY A, BLACK	34986-2108	A-BLK	GC-5	PLR	M			2											12	13	14	15	SALEABLE		349531610	NOT AVAILABLE					
KEY A, BLACK	34986-2109	A-BLK	GC-5	PLR	M			2	3										12	13	14	15	SALEABLE		349531610	NOT AVAILABLE					
KEY F, LIGHT GRAY, WITH S.B.	34986-2110	F-LG	GC-5	PLR	M	2					SB	SB							SB	SB		15	SALEABLE	SEE NOTE 4	349531610	NOT AVAILABLE					
KEY A, BLACK	34986-2111	A-BLK	GC-5	PLR	M			2								10	11		13	14			SALEABLE		349531610	NOT AVAILABLE					
KEY A, BLACK	34986-2112	A-BLK	GC-5	PLR	M												11				14	15	SALEABLE		349531610	NOT AVAILABLE					
KEY A, BLACK	34986-2113	A-BLK	GC-5	PLR	M			2	3								11				14	15	SALEABLE		349531610	NOT AVAILABLE					
KEY A, BLACK	34986-2114	A-BLK	GC-5	PLR	M										10				13				SALEABLE		349531610	NOT AVAILABLE					
KEY A, BLACK	34986-2115	A-BLK	GC-5	PLR	M						3	4					11	12					SALEABLE		349531610	NOT AVAILABLE					
KEY A, BLACK	34986-2116	A-BLK	GC-5	PLR	M						3	4					11	12	13				SALEABLE		349531610	NOT AVAILABLE					
KEY A, BLACK	34986-2117	A-BLK	GC-5	PLR	M						3	4				10	11	12	13				SALEABLE		349531610	NOT AVAILABLE					
KEY A, BLACK	34986-2118	A-BLK	GC-5	PLR	M			2	3										13	14	15		SALEABLE		349531610	NOT AVAILABLE					
KEY A, BLACK	34986-2119	A-BLK	GC-5	PLR	M										10				13	14	15		SALEABLE		349531610	NOT AVAILABLE					
KEY A, BLACK	34986-2120	A-BLK	GC-5	PLR	M														13			15	SALEABLE		349531610	NOT AVAILABLE					
KEY A, BLACK	34986-2121	A-BLK	GC-5	PLR	M						3								13	14	15		SALEABLE		349531610	NOT AVAILABLE					
KEY A, BLACK	34986-2122	A-BLK	GC-5	PLR	M														11			14	SALEABLE		349531610	NOT AVAILABLE					
KEY A, BLACK	34986-2123	A-BLK	GC-5	PLR	M														11			14	SALEABLE		349531610	NOT AVAILABLE					
KEY A, BLACK	34986-2124	A-BLK	GC-5	PLR	M			2	3												14	15	SALEABLE		349531610	NOT AVAILABLE					
KEY A, BLACK	34986-2125	A-BLK	GC-5	PLR	M			2													14		SALEABLE		349531610	NOT AVAILABLE					
KEY A, BLACK	34986-2126	A-BLK	GC-5	PLR	M																	15	SALEABLE		349531610	NOT AVAILABLE					
KEY A, BLACK	34986-2127	A-BLK	GC-5	PLR	M						3										13	14	15	SALEABLE		349531610	NOT AVAILABLE				
KEY A, BLACK	34986-2128	A-BLK	GC-5	PLR	M																12	13	SALEABLE		349531610	NOT AVAILABLE					
KEY A, BLACK	34986-2129	A-BLK	GC-5	PLR	M			2	3												12	13	14	15	SALEABLE		349531610	NOT AVAILABLE			
KEY A, BLACK	34986-2130	A-BLK	GC-5	PLR	M			2													12	13	14	15	SALEABLE		349531610	NOT AVAILABLE			
KEY A, BLACK	34986-2131	A-BLK	GC-5	PLR	M			2													11	12			SALEABLE		349531610	NOT AVAILABLE			
KEY A, BLACK	34986-2132	A-BLK	GC-5	PLR	M			2	3												11	12			SALEABLE		349531610	NOT AVAILABLE			
KEY A, BLACK	34986-2133	A-BLK	GC-5	PLR	M			2													10	11	12	13	14	SALEABLE		349531610	NOT AVAILABLE		
KEY A, BLACK	34986-2134	A-BLK	GC-5	PLR	M			2	3												7				SALEABLE		349531610	NOT AVAILABLE			
KEY A, BLACK	34986-2135	A-BLK	GC-5	PLR	M			2	3												10	11	12	13	14	15	SALEABLE		349531610	NOT AVAILABLE	
KEY A, BLACK	34986-2136	A-BLK	GC-5	PLR	M			2	3	4												14	15			SALEABLE		349531610	NOT AVAILABLE		
KEY A, BLACK	34986-2137	A-BLK	GC-5	PLR	M			2	3												7				10	11	12	SALEABLE		349531610	NOT AVAILABLE
KEY A, BLACK	34986-2138	A-BLK	GC-5	PLR	M			2	3	4											5	6	7					SALEABLE		349531610	NOT AVAILABLE
KEY A, BLACK	34986-2139	A-BLK	GC-5	PLR	M			2	3	4											6	7						SALEABLE		349531610	NOT AVAILABLE
KEY A, BLACK	34986-2140	A-BLK	GC-5	PLR	M			2	3												5	6						SALEABLE		349531610	NOT AVAILABLE
KEY A, BLACK	34986-2141	A-BLK	GC-5	PLR	M			2	3																			SALEABLE		349531610	NOT AVAILABLE
KEY A, BLACK	34986-2142	A-BLK	GC-5	PLR	M																							SALEABLE		349531610	NOT AVAILABLE
KEY A, BLACK	34986-2143	A-BLK	GC-5	PLR	M																							SALEABLE		349531610	NOT AVAILABLE
KEY A, BLACK	34986-2144	A-BLK	GC-5	PLR	M						3	4																SALEABLE		349531610	NOT AVAILABLE
KEY A, BLACK	34986-2145	A-BLK	GC-5	PLR	M																							SALEABLE		349531610	NOT AVAILABLE
KEY A, BLACK	34986-2146	A-BLK	GC-5	PLR	M																							SALEABLE		349531610	NOT AVAILABLE
KEY A, BLACK	34986-2147	A-BLK	GC-5	PLR	M			2	3																			SALEABLE		349531610	NOT AVAILABLE
KEY A, BLACK	34986-2148	A-BLK	GC-5	PLR	M			2																				SALEABLE		349531610	NOT AVAILABLE
KEY A, BLACK	34986-2149	A-BLK	GC-5	PLR	M																							SALEABLE		349531610	NOT AVAILABLE
KEY A, BLACK	34986-2150	A-BLK	GC-5	PLR	M																							SALEABLE		349531610	NOT AVAILABLE
KEY A, BLACK	34986-2151	A-BLK	GC-5	PLR	M																							SALEABLE		349531610	NOT AVAILABLE
KEY A, BLACK	34986-2152	A-BLK	GC-5	PLR	M																							SALEABLE		349531610	NOT AVAILABLE
KEY A, BLACK	34986-2153	A-BLK	GC-5	PLR	M			2	3	4																		SALEABLE		349531610	NOT AVAILABLE
KEY A, BLACK	34986-2154	A-BLK	GC-5	PLR	M																							SALEABLE		349531610	NOT AVAILABLE
KEY A, BLACK	34986-2155	A-BLK	GC-5	PLR	M			2	3	4																		SALEABLE		349531610	NOT AVAILABLE
KEY A, BLACK	34986-2156	A-BLK	GC-5	PLR	M																							SALEABLE		349531610	NOT AVAILABLE
KEY A, BLACK	34986-2157	A-BLK	GC-5	PLR	M																							SALEABLE		349531610	NOT AVAILABLE
KEY A, YELLOW	34986-2158	A-YW	GC-5	PLR	M																							SALEABLE		349531610	NOT AVAILABLE
KEY A, BLACK	34986-2159	A-BLK	GC-5	PLR	M																							SALEABLE		349531610	NOT AVAILABLE
KEY A, BLACK	34986-2160	A-BLK	GC-5	PLR	M			2																				SALEABLE		349531610	NOT AVAILABLE
KEY A, BLACK	34986-2161	A-BLK	GC-5	PLR	M			2																				SALEABLE		349531610	NOT AVAILABLE
KEY A, BLACK	34986-2162	A-BLK	GC-5	PLR	M																							SALEABLE		349531610	NOT AVAILABLE
KEY A, BLACK	34986-2163	A-BLK	GC-5	PLR	M																							SALEABLE		349531610	NOT AVAILABLE
KEY A, BLACK	34986-2164	A-BLK	GC-5	PLR	M																							SALEABLE		349531610	NOT AVAILABLE
KEY B, LIGHT GRAY	34986-2165	B-LG	GC-5	PLR	M																							SALEABLE		349531610	NOT AVAILABLE
KEY A, BLACK	34986-2166	A-BLK	GC-5	PLR	M			2																				SALEABLE		349531610	NOT AVAILABLE
KEY A, BLACK	34986-2167	A-BLK	GC-5	PLR	M			2																				SALEABLE		349531610	NOT AVAILABLE
KEY A, BLACK	34986-2168	A-BLK	GC-5	PLR	M			2																				SALEABLE		349531610	NOT AVAILABLE
KEY A, BLACK	34986-2169	A-BLK	GC-5	PLR	M																							SALEABLE		349531610	NOT AVAILABLE
KEY A, BLACK	34986-2170	A-BLK	GC-5	PLR	M																							SALEABLE		349531610	NOT AVAILABLE
KEY A, BLACK	34986-2171	A-BLK	GC-5	PLR	M																							SALEABLE		349531610	NOT AVAILABLE
KEY A, BLACK	34986-2172	A-BLK	GC-5	PLR	M																							SALEABLE		349531610	NOT AVAILABLE
KEY A, BLACK	34986-2173	A-BLK	GC-5	PLR	M																							SALEABLE		349531610	NOT AVAILABLE
KEY A, BLACK	34986-2174	A-BLK	GC-5	PLR	M																							SALEABLE		349531610	NOT AVAILABLE
KEY A, BLACK	34986-2175	A-BLK	GC-5	PLR	M																										

**MX150 16 WAY HYBRID BLADE SEALED ASSEMBLY MAT SEAL (2.8mm CAVITIES OPEN)
BOM AND PIN OUT SHEET**

ASSEMBLY DESCRIPTION	ASSEMBLY PART NUMBER	COMPONENT					BLOCKED TERMINALS																STATUS	COMMENTS	OPTIONAL ATTACHMENTS SOLD SEPERATELY						
		THE PRESENCE OF AN ABBREVIATION INDICATES THE PRESENCE OF THAT COMPONENT.					CAVITY WITH A NUMBER INDICATES BLOCKED TERMINAL POSITION CAVITY WITHOUT A NUMBER INDICATES OPEN TERMINAL POSITION																		BACKSHELL WITH RIBS	BACKSHELL WITHOUT RIBS					
		HOUSING KEY/COLOR	GROMMET CAP	PLR	MAT SEAL	SB QTY	1	2	3	4	5	6	7	8	9	10	11	12	13	14	15	16									
KEY B, LIGHT GRAY	34986-2288	B-LG	GC-S	PLR	M																	12			14			SALEABLE		349531610	NOT AVAILABLE
KEY A, BLACK	34986-2289	A-BLK	GC-S	PLR	M				4	5	6																	SALEABLE		349531610	NOT AVAILABLE
KEY B, LIGHT GRAY	34986-2290	B-LG	GC-S	PLR	M																	11						SALEABLE		349531610	NOT AVAILABLE
KEY B, LIGHT GRAY	34986-2291	B-LG	GC-S	PLR	M		2	3	4	5		7												14	15			SALEABLE		349531610	NOT AVAILABLE
KEY A, BLACK	34986-2292	A-BLK	GC-S	PLR	M		2			5		7				10	11	12	13						15			SALEABLE		349531610	NOT AVAILABLE
KEY A, BLACK	34986-2293	A-BLK	GC-S	PLR	M		2			5		7				10	11	12							15			SALEABLE		349531610	NOT AVAILABLE
KEY A, BLACK	34986-2294	A-BLK	GC-S	PLR	M		2	3	4							10	11	12					14	15				SALEABLE		349531610	NOT AVAILABLE
KEY A, BLACK	34986-2295	A-BLK	GC-S	PLR	M				4							10	11	12	13									SALEABLE		349531610	NOT AVAILABLE
KEY A, BLACK	34986-2296	A-BLK	GC-S	PLR	M				4								11	12	13						15			SALEABLE		349531610	NOT AVAILABLE
KEY A, BLACK	34986-2297	A-BLK	GC-S	PLR	M		2	3			6	7				10	11						14	15				SALEABLE		349531610	NOT AVAILABLE
KEY A, BLACK	34986-2298	A-BLK	GC-S	PLR	M		2			5		7				10	11			13			15					SALEABLE		349531610	NOT AVAILABLE
KEY A, BLACK	34986-2299	A-BLK	GC-S	PLR	M				4	5	6					10	11	12					14	15				SALEABLE		349531610	NOT AVAILABLE