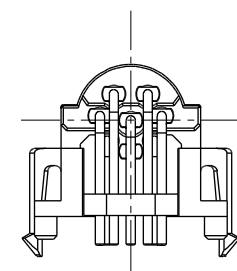
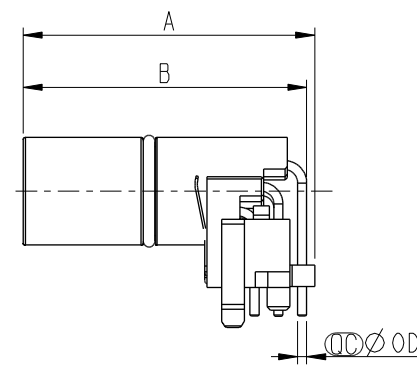
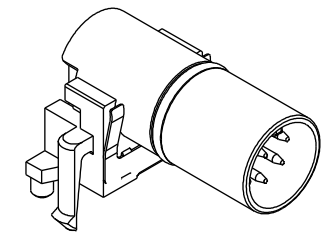
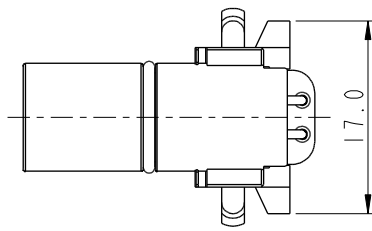
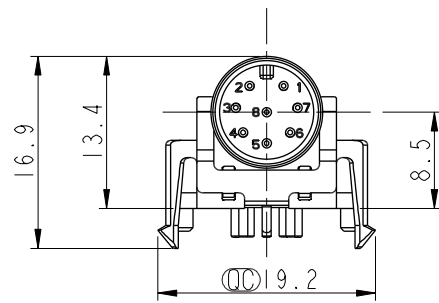


THIS DOCUMENT IS SUBJECT TO CHANGE WITHOUT NOTICE. IT IS CONFIDENTIAL AND A PROPERTY OF Amphenol LTW. DISCLOSURE TO THIRD PARTY HAS TO BE AUTHORIZED BY Amphenol LTW.

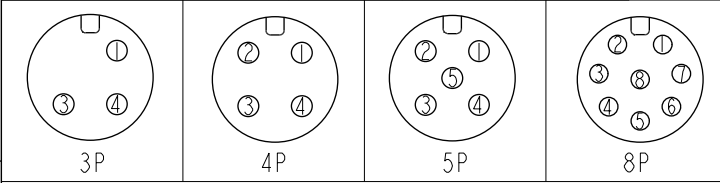
REV.	ECN NO.	DATE	SIGN	DESCRIPTION
A		2022-01-20	Jiahe Lin	Rev.01 To Rev.A

MSAS-XXPMMR-EE0001
 XX: No. Of Pin

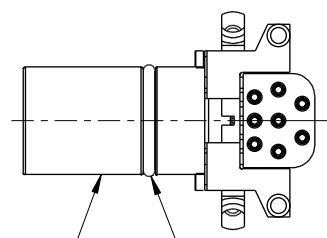


MSAS-03PMMR-EE0001	25.9	24.8	1.0
MSAS-04PMMR-EE0001	25.9	24.8	1.0
MSAS-05PMMR-EE0001	25.9	24.8	1.0
MSAS-08PMMR-EE0001	25.7	25.0	0.8

Item No.	A	B	OD
----------	---	---	----



Pin Assignment Front View



- Note:
- * RoHS Compliant
 - * \varnothing Important dimension
 - * Waterproof rate: Non-Waterproof
 - * Connector
 - Housing: Thermoplastic, Black
 - Pin: Copper alloy, Gold plated
 - O-Ring: Rubber, Black
 - * For pcb thickness max: 1.6mm

UNIT: mm		TITLE N SEN, M12 A -SHLD, RECEPTACLE, M, M, PCB R
TOLERANCE .X ±0.25 .XX ±0.1 .XXX ±0.05 ANGLES ±1°	SCALE 3:2 SIZE A4 SHEET 1 OF 2 REV. A WC-REV. A.1 \varnothing : Inspection item	Amphenol LTW 安費諾亮泰企業股份有限公司

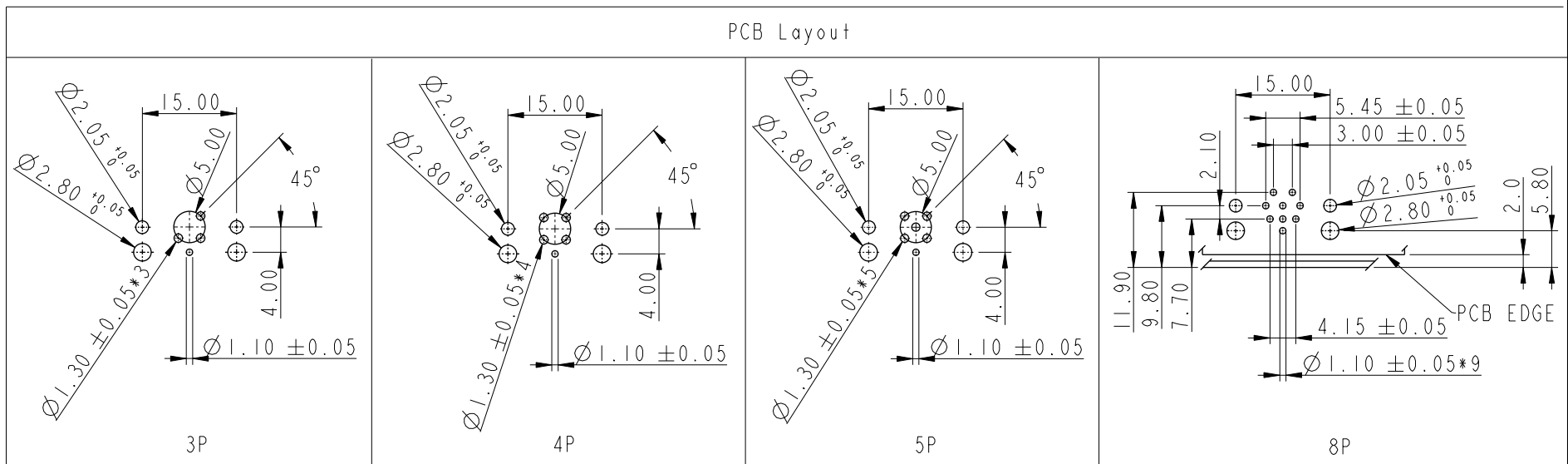
ITEM NO.	DRAWN BY	DATE
DWG NO.	CHECKED BY	DATE
CUSTOMER	APPROVED BY	DATE
MSAS-XXPMMR-EE0001	Jiahe Lin	2022-01-20
ALTW	Allen Pan	2022-01-20
	Fred Lee	2022-01-20

THIS DOCUMENT IS SUBJECT TO CHANGE WITHOUT NOTICE. IT IS CONFIDENTIAL AND A PROPERTY OF Amphenol LTW. DISCLOSURE TO THIRD PARTY HAS TO BE AUTHORIZED BY Amphenol LTW.

1 2 3 4 5 6 7 8

F
E
D
C
B
A

PCB Layout



UNIT: mm			
TOLERANCE			
.X	±0.25		
.XX	±0.1		
.XXX	±0.05		
ANGLES	±1°		

TITLE N SEN, M12 A -SHLD, RECEPTACLE, M, M, PCB R			
SCALE	3:2	SIZE	A4
		SHEET	2 OF 2
REV.	A	WC-REV.	A.1
		☉: Inspection item	

Amphenol LTW
安費諾亮泰企業股份有限公司

ITEM NO	
DWG NO	MSAS-XXPMMR-EE0001
CUSTOMER	ALTW

DRAWN BY	Jiahe Lin
CHECKED BY	Allen Pan
APPROVED BY	Fred Lee

DATE	2022-01-20
DATE	2022-01-20
DATE	2022-01-20

2 3 4 5 6 7 8 W10814-03-001A2