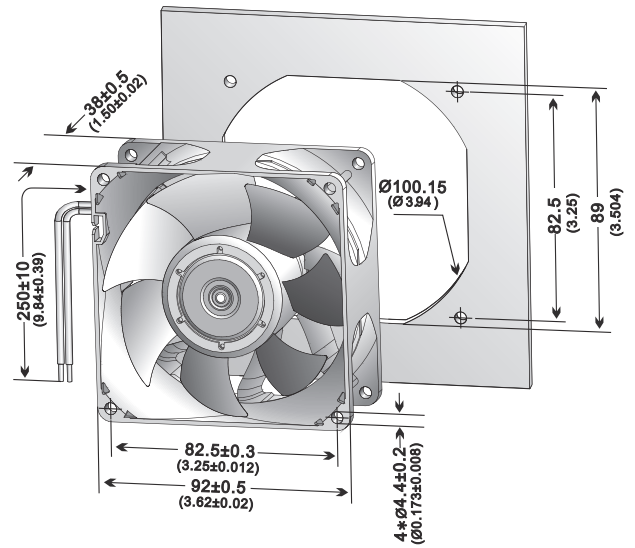


# K-SERIES

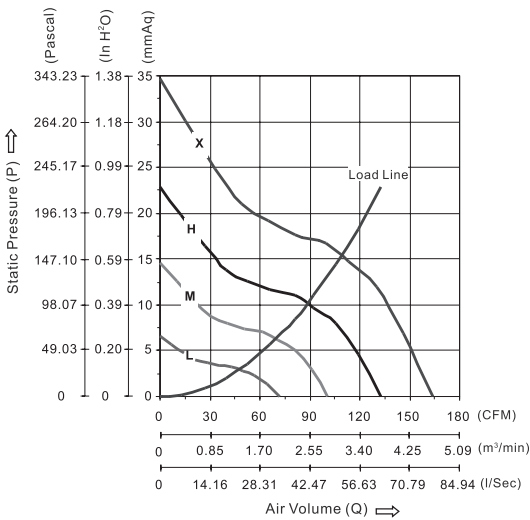


## 92 x 92 x 38 mm

Frame: Thermoplastic PBT (GF 30%), UL94-V0  
 Impeller: Thermoplastic PBT (GF 15%), UL94-V0  
 Bearing System: Ball Bearing  
 Lead Wire: UL 1007, AWG 24 / 250 mm, Red (+), Black (-)  
 Protection: Locked rotor protected for minimum 72 hours



### PQ GRAPH (AT RATED VOLTAGE)



### AVAILABLE FUNCTIONS

1a. IR	1b. AS	1c. MS	2a. FG	2b. RD	2c. RD <sub>b</sub>	2d. LD	3. SG/PWM
●	●		●	●	●	●	●
4. OV	5a. TPWM	5b. RPWM	6. CL	7. CS	8a. VPWM	8b. IPWM	8c. PPWM
	●	●	●	●	●	●	●

Part Number	Voltage (VDC)	Current (Amp.)	Power (Watts)	Speed (RPM)	Air Flow (Q)		Pressure (P)		Noise (dBA)	Unit Weight (Q'TY/CTN)
					(CFM)	(m³/min)	(mmAq)	(In H <sub>2</sub> O)		
K9238H12BPLBx-7	12 (07-14)	1.420	17.04	6500	132.94	3.766	22.88	0.900	59.10	223g (60pcs)
K9238M12BPLBx-7		0.630	7.56	5000	102.26	2.897	13.54	0.533	52.20	
K9238L12BPLBx-7		0.250	3.00	3500	71.58	2.030	6.63	0.261	43.00	
K9238X24BPLBx-7	24 (15-27)	1.200	28.80	8000	163.61	4.635	34.65	1.364	64.50	223g (60pcs)
K9238H24BPLBx-7		0.620	14.88	6500	132.94	3.766	22.88	0.900	59.10	
K9238M24BPLBx-7		0.330	7.92	5000	102.26	2.897	13.54	0.533	52.20	
K9238L24BPLBx-7		0.130	3.12	3500	71.58	2.030	6.63	0.261	43.00	
K9238X48BPLBx-7	48 (30-57)	0.600	28.80	8000	163.61	4.635	34.65	1.364	64.50	223g (60pcs)
K9238H48BPLBx-7		0.300	14.40	6500	132.94	3.766	22.88	0.900	59.10	
K9238M48BPLBx-7		0.150	7.20	5000	102.26	2.897	13.54	0.533	52.20	
K9238L48BPLBx-7		0.080	3.84	3500	71.58	2.030	6.63	0.261	43.00	

- All MICRONEL fans listed here refer to double ball bearing types; Sleeve bearing types may consume about 10% more power for the same speed.
- Noise Measurements are taken with background noise of 16.8 dBA.
- Please see «Function Legend» for explanation of each function.
- Specifications are subject to change without notice.