

4

3

2

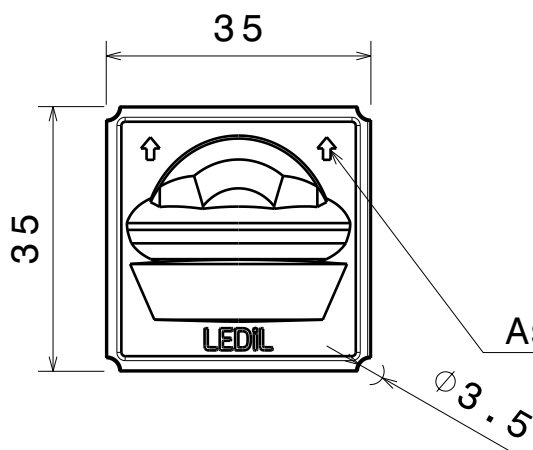
1

D

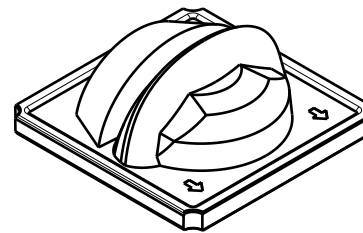
C

B

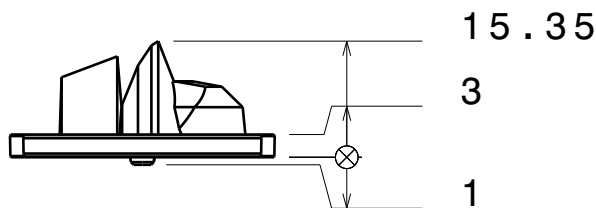
A



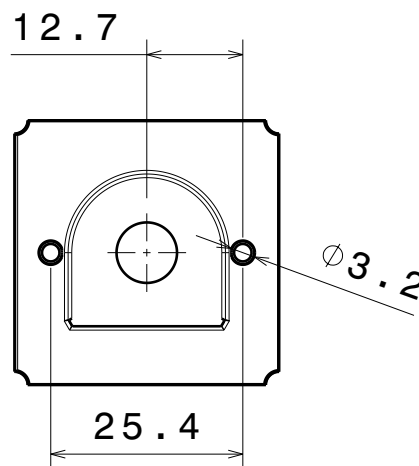
Top view
Scale: 1:1



Asymmetric light direction



Side view
Scale: 1:1



Bottom view
Scale: 1:1

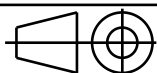
INDEX	PART NO	DESCRIPTION	MATERIAL	COLOUR
1	F15909	JENNY-FT65	optical grade silicone	

Tolerances if not otherwise shown
According to DIN ISO 2768-1
Linear measures:
Up to 30mm class M, otherwise class C.
According to DIN ISO 2768-2
Form and position: class L

LEDiL

Ledil Oy
Salorankatu 10
FIN 24240 SALO
Finland

THIRD ANGLE PROJECTION:



DRAWING TITLE

F15909_JENNY-FT65

This drawing is the property of LEDiL Oy. It may not be reproduced, copied or communicated without a written agreement with LEDiL Oy.

SIZE PART NUMBER

A4

F15909

SCALE 1:1 WEIGHT 5,96 g SHEET 1/1

D

A