

CTLFLPF Series

CHARACTERISTICS

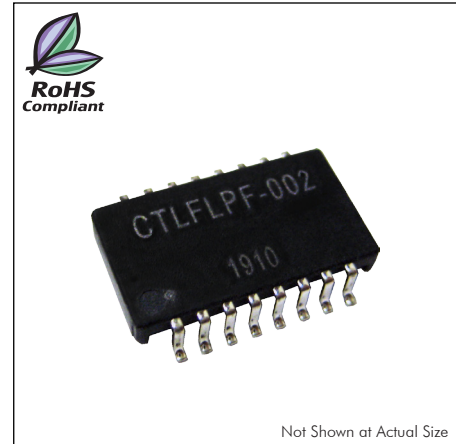
Description: 10/100 Base-T

Applications: PC Card, LAN magnetics modules

Operating Temperature: 0°C to 70°C

Features:

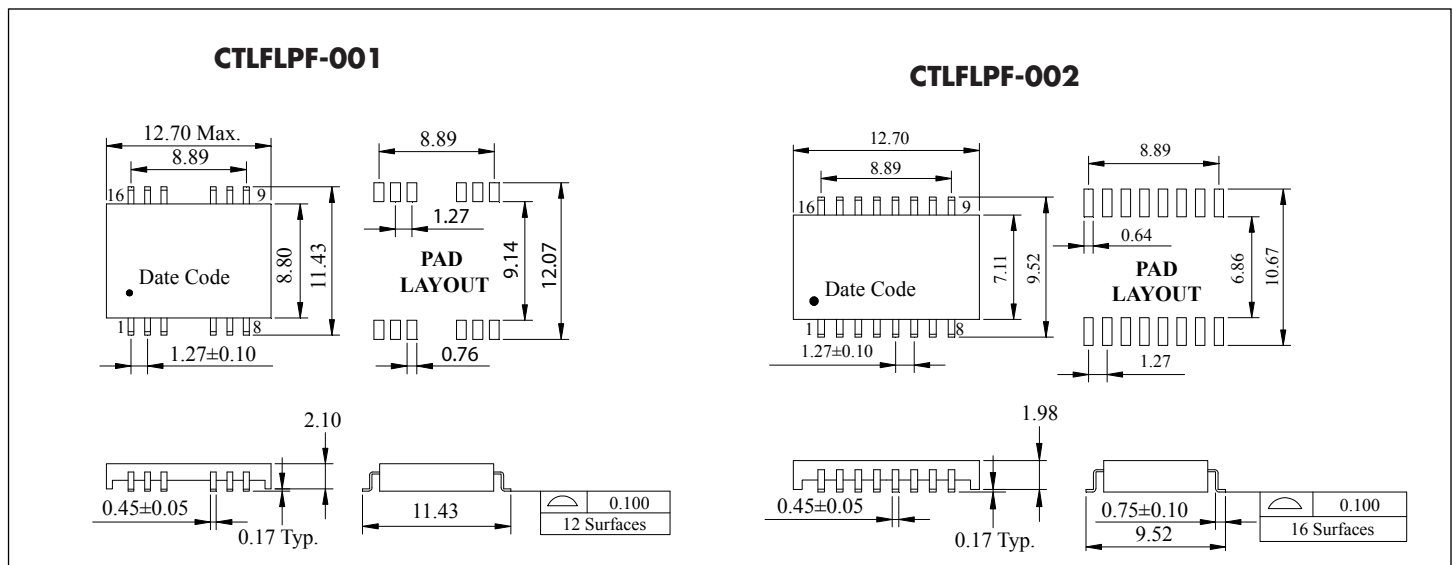
- Half port and single port designs for maximum layout flexibility
- Low profile packages from 0.094”(2.39mm) to 0.078”(1.98mm) for PC card



SPECIFICATIONS

| Part number | Turns Ratio (±5%) | | Insertion Loss (dB Max.) | Return Loss (dB Min.) | | | Differential to Common Mode Rejection (dB Min.) | | | Crosstalk (dB Min.) | | | Hipot Vrms Min. |
|-------------|-------------------|---------|--------------------------|-----------------------|--------|--------|---|--------|---------|---------------------|--------|---------|-----------------|
| | Transmit | Receive | | 30 MHz | 60 MHz | 80 MHz | 30 MHz | 50 MHz | 100 MHz | 30 MHz | 62 MHz | 100 MHz | |
| CTLFLPF-001 | 1CT:1CT | 1CT:1CT | -1.0 | -17 | -12 | -10 | -30 | -30 | -30 | -40 | -35 | -30 | 1500 |
| CTLFLPF-002 | 1CT:1CT | 1CT:1CT | -0.9 | -16 | -12 | -11 | -35 | -33 | -20 | -50 | -45 | -40 | 1500 |

PHYSICAL DIMENSIONS & PAD LAYOUT

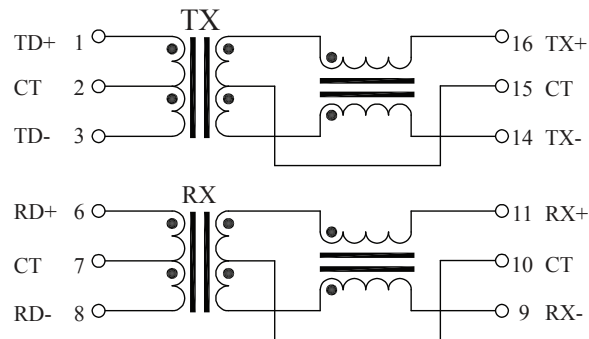


Unit: mm Unless otherwise specified, all tolerances are ±0.25

CTLFLPF

SCHEMATICS

CTLFLPF-001



CTLFLPF-002

