



ANATECH ELECTRONICS INC
RF & Microwave Filters & Products

2700 MHz Cavity Band Pass Filter

Part Number: AE2700B5580



Electrical Specifications

Center Frequency: 2700 MHz
0.1dB Bandwidth: 6 MHz
Insertion Loss: 3.0 dB Max.
Return Loss: 14 dB Min.
Rejection1: ≥ 60 dB @ 2645 MHz
Rejection2: ≥60 dB @ 2755 MHz
Rejection3: ≥70 dB @ 2590 MHz
Rejection4: ≥70 dB @ 2810 MHz

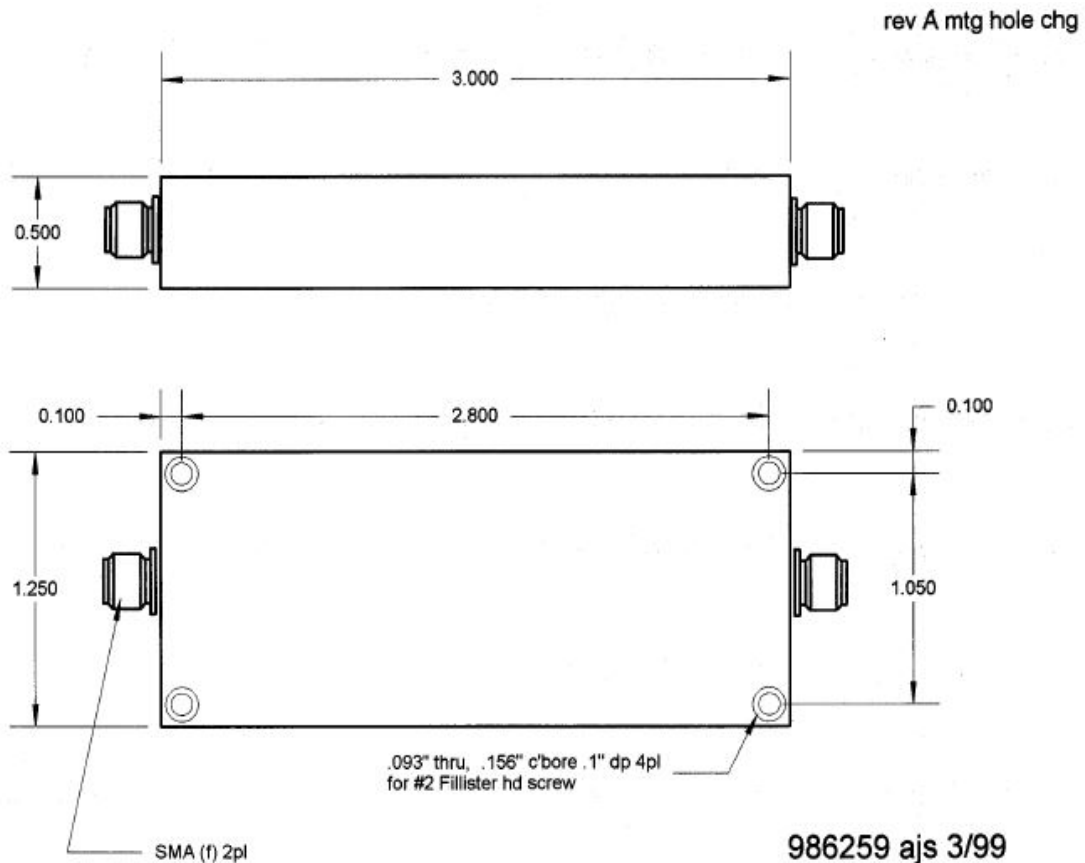
Mechanical

Mounting Method: Through Holes
Connector Type: SMA(F)
Dimensions: 3.0" X 1.25" x 0.5"

Environmental

Operating Temperature: -25°C to +70°C
Storage Temperature: -40°C to +90°C
Shock: 20 G. 11ms
Vibration: 20 G. 5 to 200Hz

Outline Drawing:



2 decimal places: +/-0.01 inches [+/-0.3mm]
 3 decimal places: +/-0.005 inches [+/-0.13mm]
 Angles: +/-1 Deg.

When max dimensions are called out the above tolerances do not apply as long as it is under the max call out.

70 Outwater Lane Phone: (973) 772-4242
Garfield, NJ 07026 Fax : (973) 321-3941

Email: sales@anatechelectronics.com
Web: www.anatechelectronics.com



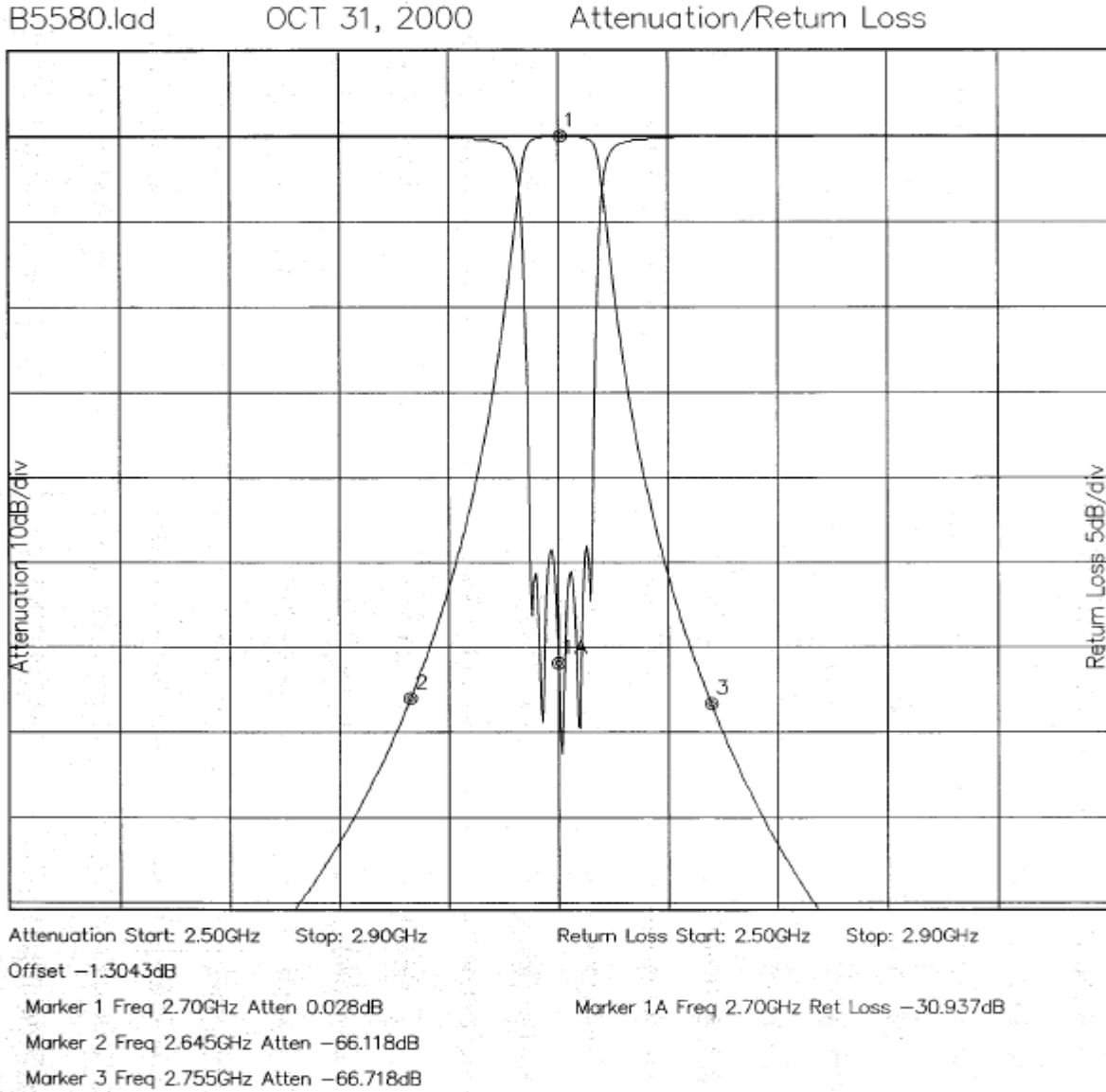
ANATECH ELECTRONICS INC
RF & Microwave Filters & Products

2700 MHz Cavity Band Pass Filter

Part Number: AE2700B5580



Simulation Plot:



Note: This is a simulation Plot. Actual response plot might differ once product is manufactured.

70 Outwater Lane Phone: (973) 772-4242
Garfield, NJ 07026 Fax : (973) 321-3941

Email: sales@anatechelectronics.com
Web: www.anatechelectronics.com