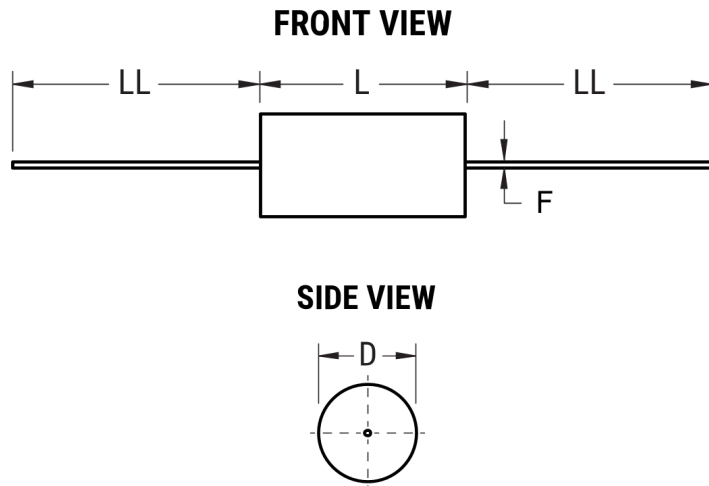


A50MH31002660M

Aliases (50MH31002660M)

A50, Film, Metallized Polyester, Automotive Grade, 0.1 uF, 20%, 200 VAC, 400 VDC, 85°C



Click [here](#) for the 3D model.

Dimensions	
D	6.5mm MAX
L	14mm MAX
LL	20mm MIN
F	0.6mm +/-0.05mm

Packaging Specifications	
Packaging	T&R
Packaging Quantity	1200

General Information	
Series	A50
Dielectric	Metallized Polyester
Style	Axial
Features	Automotive Grade
RoHS	Yes
Lead	Wire Leads
Qualifications	AEC-Q200
AEC-Q200	Yes
Component Weight	0.8 g
Miscellaneous	Above 85C DC And AC Voltage Derating Is 1.25%/C. maxKO = 11000.

Specifications	
Capacitance	0.1 uF
Capacitance Tolerance	20%
Voltage AC	200 VAC
Voltage DC	400 VDC, 300 VDC (105C)
Temperature Range	-55/+105°C
Rated Temperature	85°C
Dissipation Factor	0.8% 1kHz, 1.2% 10kHz
Insulation Resistance	30 GOhms
Max dV/dt	13.5 V/us
Inductance	7 nH