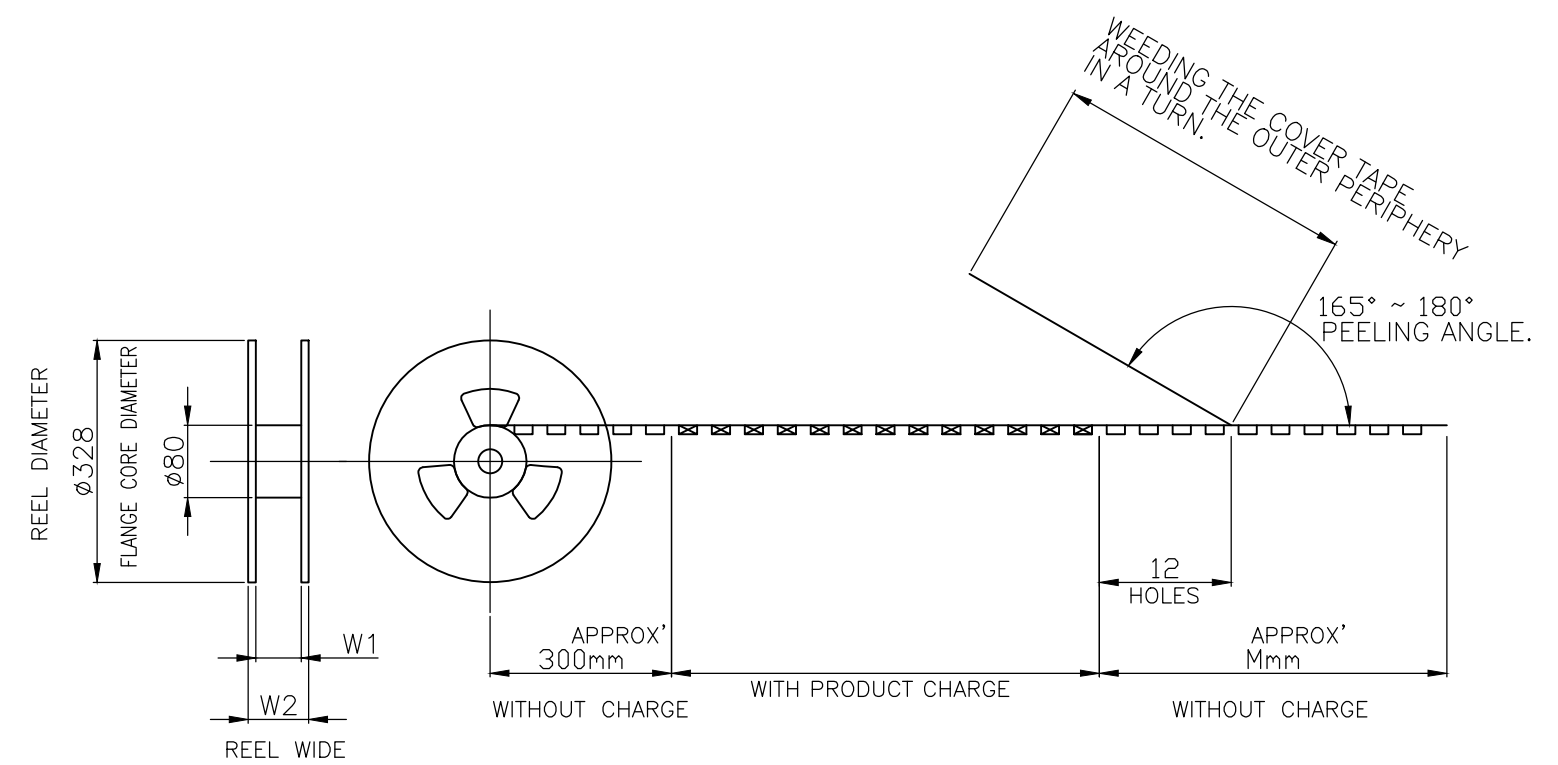
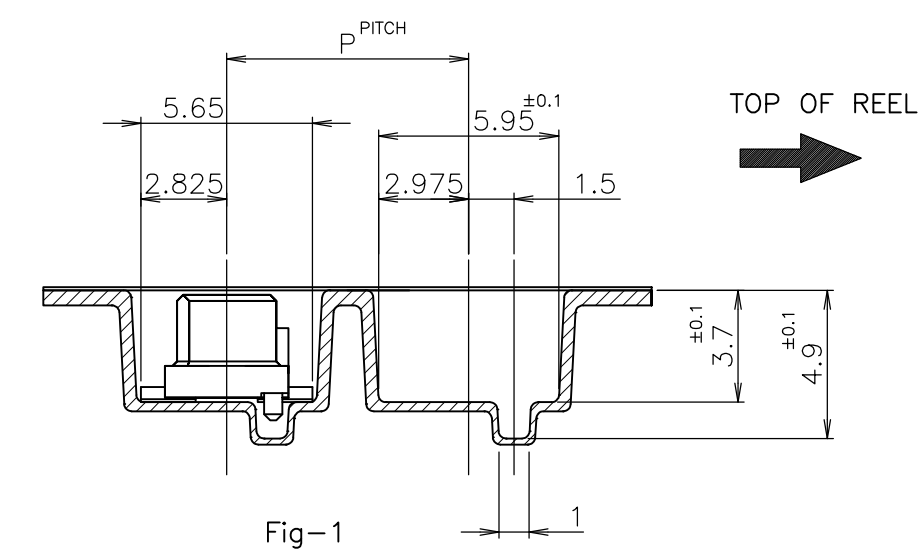
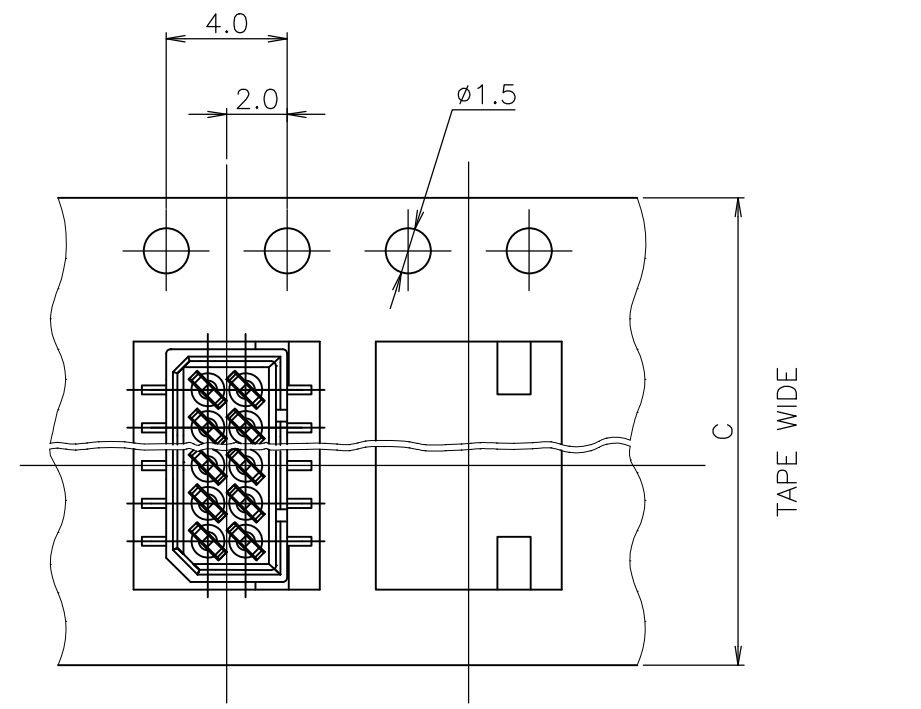


THIS DRAWING IS UNPUBLISHED. RELEASED FOR PUBLICATION
 © COPYRIGHT By - ALL RIGHTS RESERVED.

P	LTR	DESCRIPTION	DATE	DWN	APVD
J		REVISED PER ECR-16-013051	14SEP2016	WL	SY
K		REVISED PER ECO-17-010005	10OCT2017	R.L	S.Y



NOTES;
 ▲ PACKING SPEC : 107-5123-1

							20	2-	4	5-	0	5-	0
							18	2-	-3	4-	-8	4-	-8
29	26	600	12	24	1000	16		-9	4-	-6	4-	-6	
						14	2-	-2	4-	-4	4-	-4	
						12		-8	4-	-2	4-	-2	
						10	1-720999-1		4-	-0	4-	-0	
21	18	300	8	16	1500	6	1-912050-3		3-174639-6			3-175638-6	
W ₂	W ₁	M	P	C	QTY/REEL	Pos.	EMBOSS TAPE P/N		CONNECTOR P/N			TAPING P/N	

THIS DRAWING IS A CONTROLLED DOCUMENT.		DWN J.TANIGAWA 28MAY88	TE Connectivity	
DIMENSIONS: mm		CHK S.KIKUCHI 30MAY88		
TOLERANCES UNLESS OTHERWISE SPECIFIED:		APVD N.ONOUE 30MAY88	NAME	
0-PLC ± 1-PLC ± 2-PLC ± 3-PLC ± 4-PLC ± ANGLES ± FINISH ±		PRODUCT SPEC	ON TAPING 1.25 F-P CONNECTOR DOUBLE ROW REC HDR ASS'Y (V) SMT TYPE WITH BOSS	
MATERIAL		APPLICATION SPEC	SIZE	RESTRICTED TO
		WEIGHT 0.000000	CAGE CODE A300779	DRAWING NO C-175638
		CUSTOMER DRAWING	SCALE 4:1	SHEET 1 OF 2
				REV K

THIS DRAWING IS UNPUBLISHED. RELEASED FOR PUBLICATION
 © COPYRIGHT By - ALL RIGHTS RESERVED.

REVISIONS					
P	LTR	DESCRIPTION	DATE	DWN	APVD
-	-	SEE SHEET 1	-	-	-

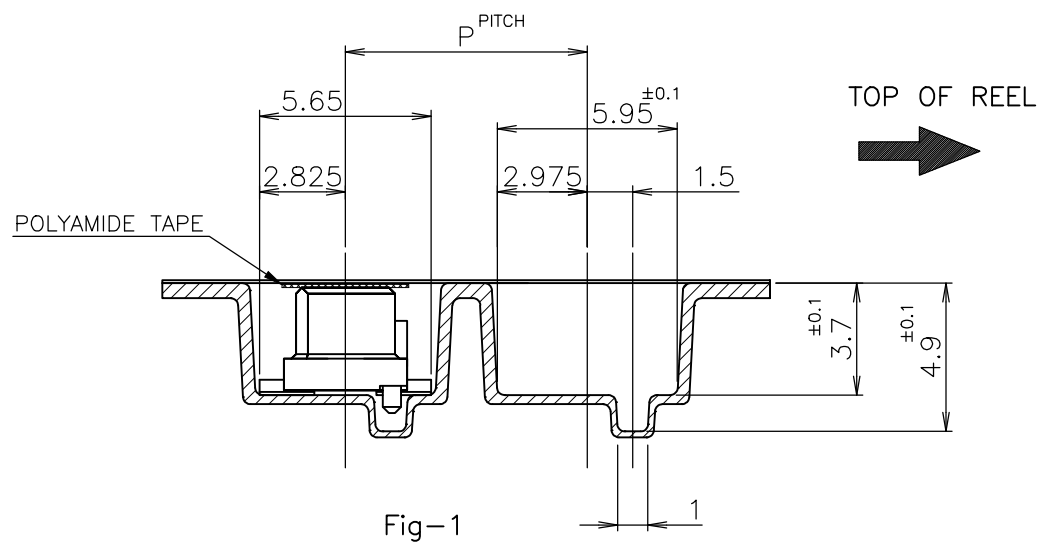
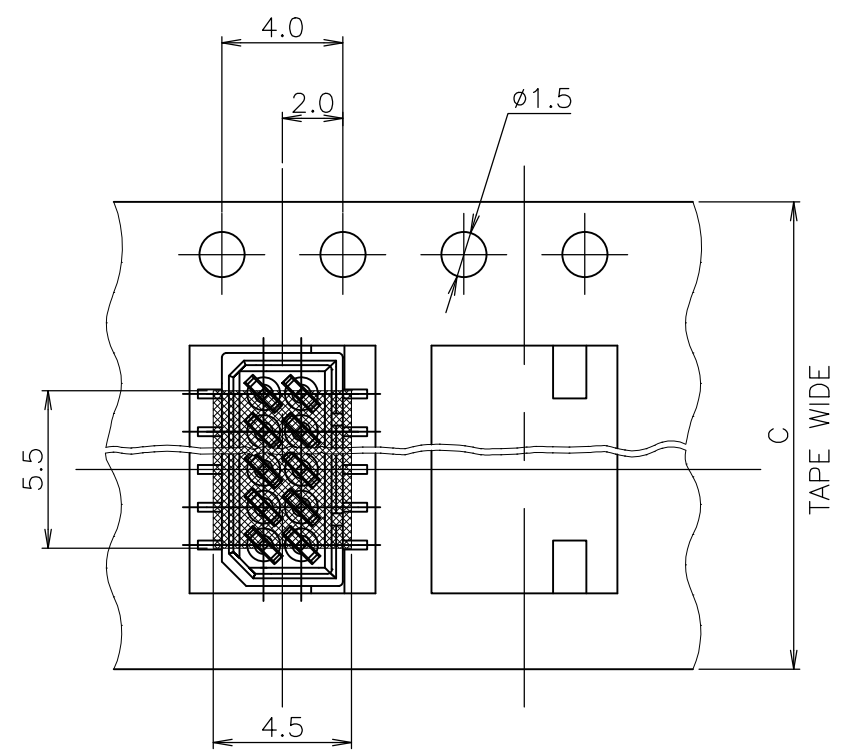
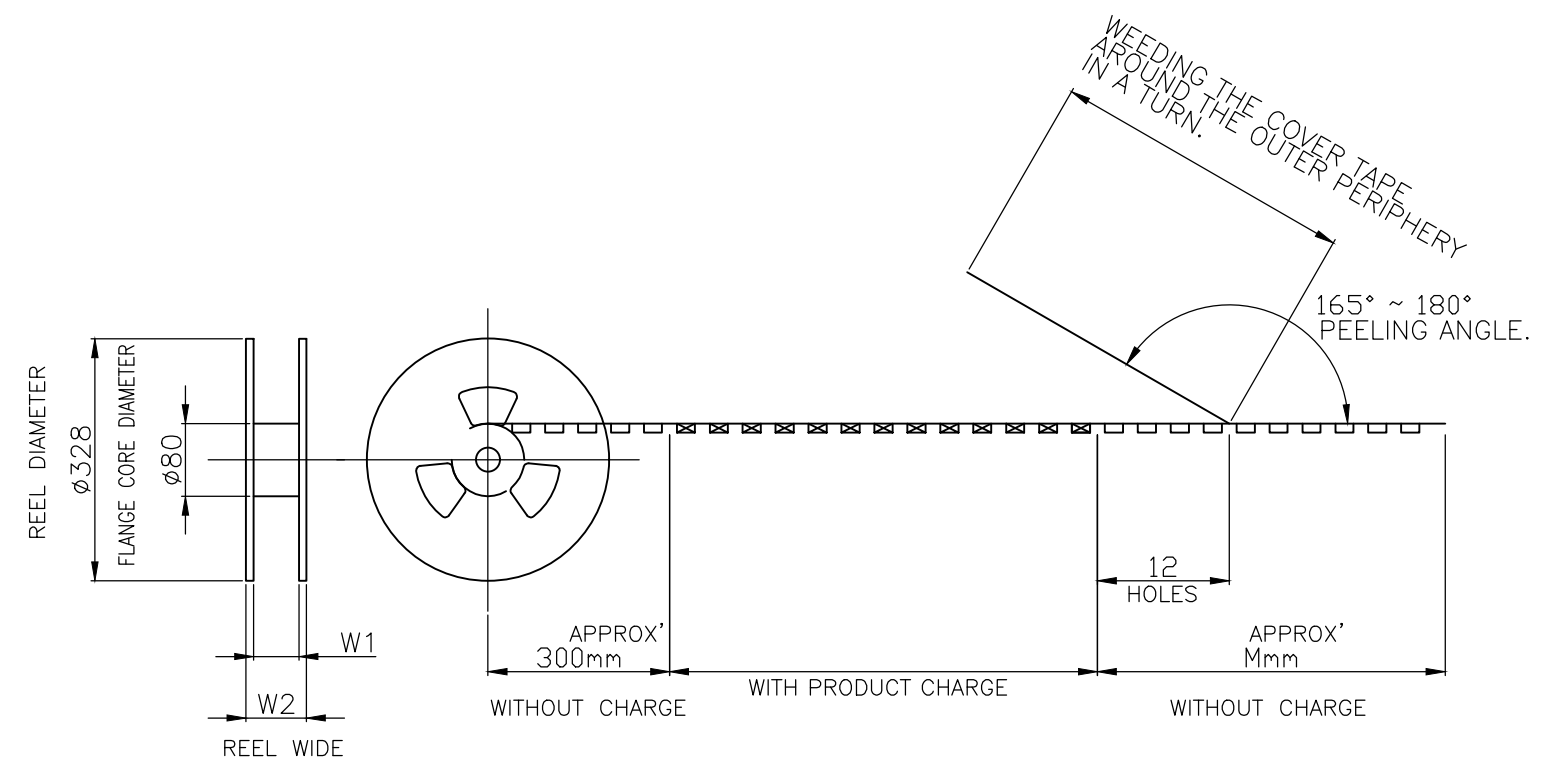


Fig-1

WITH POLYAMIDE TAPE



NOTES;
 △ PACKING SPEC : 107-5123-1

Ⓜ OBSOLETE

								20	2-	4	5-	0	7-	0
								18	2-	-3	4-	-8	6-	-8
	29	26	600	12	24	1000	16		-9	4-	-6	6-	-6	
							14	2-	-2	4-	-4	6-	-4	
							12		-8	4-	-2	6-	-2	
							10	1-720999-1	4-	-0	6-	-0		
	21	18	300	8	16	1500	6	1-912050-3	3-174639-6	5-175638-6				
	W ₂	W ₁	M	P	C	QTY/REEL	Pos.	EMBOSS TAPE P/N	CONNECTOR P/N	TAPING P/N				

THIS DRAWING IS A CONTROLLED DOCUMENT.		DWN J.TANIGAWA 28MAY88	TE Connectivity			
DIMENSIONS: mm		CHK S.KIKUCHI 30MAY88				
TOLERANCES UNLESS OTHERWISE SPECIFIED:		APVD N.ONOUE 30MAY88	NAME			
0-PLC ± 1-PLC ± 2-PLC ± 3-PLC ± 4-PLC ± ANGLES ± FINISH ±		PRODUCT SPEC	ON TAPING 1.25 F-P CONNECTOR DOUBLE ROW REC HDR ASS'Y (V) SMT TYPE WITH BOSS			
MATERIAL		APPLICATION SPEC	SIZE	CAGE CODE	DRAWING NO	RESTRICTED TO
		WEIGHT 0.000000	A3	00779	C-175638	-
		CUSTOMER DRAWING	SCALE 4:1	SHEET 2 OF 2	REV K	