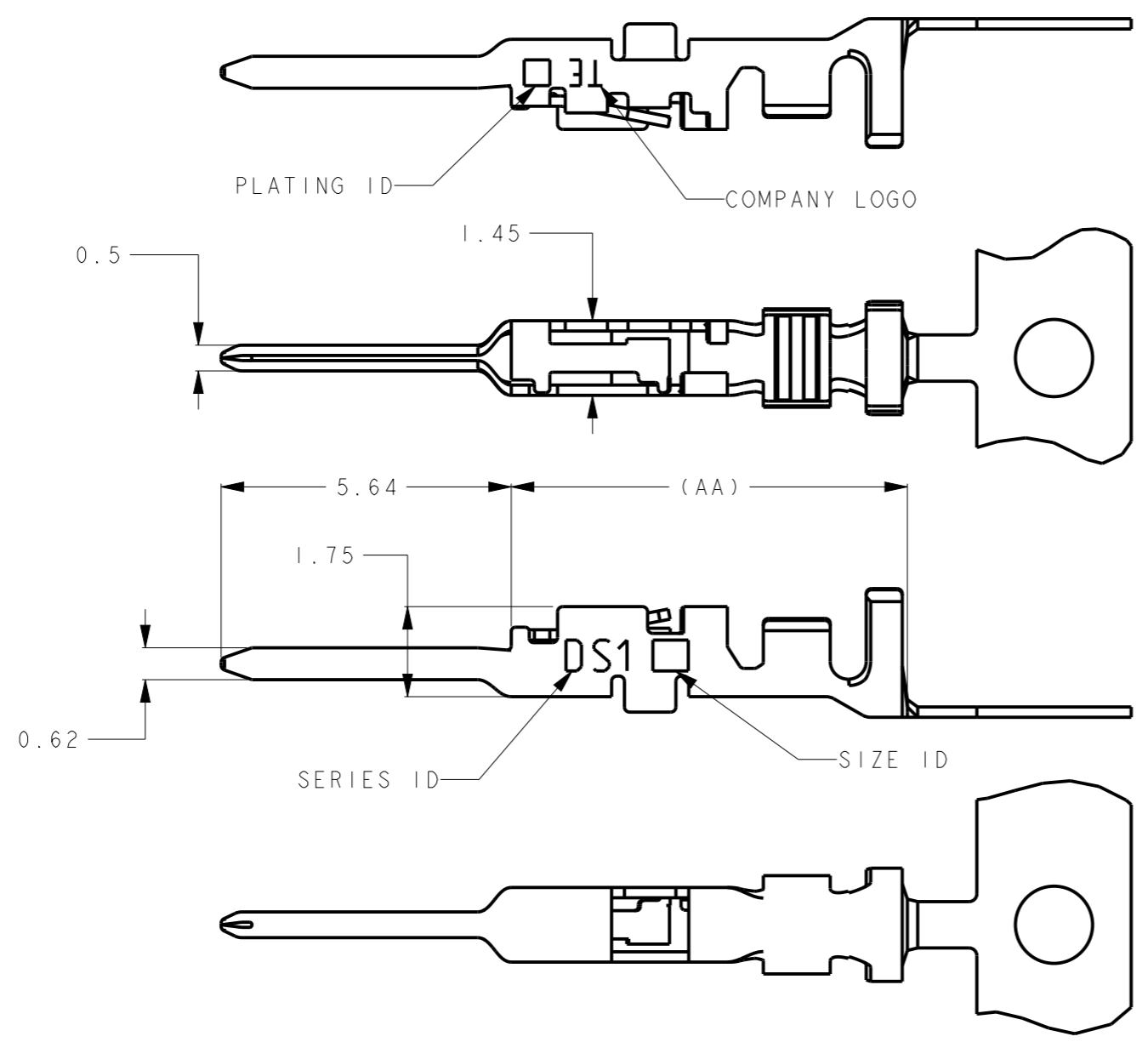


THIS DRAWING IS UNPUBLISHED. RELEASED FOR PUBLICATION 20
 © COPYRIGHT 20 BY - ALL RIGHTS RESERVED.

REVISIONS					
P	LTR	DESCRIPTION	DATE	DWN	APVD
	A	RELEASED	23MAR2021	Y.O	E.I



1. TECHNICAL CHARACTERISTICS:
 CONTACT MATERIAL: Cu ALLOY
 SURFACE PLATING:
 GOLD PLATING: 0.2μmMIN

7.7	0.1g	M	I	1.08-1.6	AWG28-22, 0.08-0.375Qmm	M SIZE, GOLD 0.2μm	2367819-2
7.7	0.1g	S	I	0.6-1.2	AWG30-28, 0.05-0.15Qmm	S SIZE, GOLD 0.2μm	2367819-1
DIMENSION AA	NET WEIGHT	SIZE ID	PLATING ID	INSUL. RANGE	WIRE RANGE	DESCRIPTION	PART NO

THIS DRAWING IS A CONTROLLED DOCUMENT.

DIMENSIONS:	TOLERANCES UNLESS OTHERWISE SPECIFIED:
mm	
	0 PLC ±0.5
	1 PLC ±0.5
	2 PLC ±0.5
	3 PLC ±0.5
	4 PLC ±0.5
	ANGLES ±3°
MATERIAL	FINISH
-	-
-	-

DWN	Y. OKADA	13APR2020
CHK	T. SHIMOYASU	13APR2020
APVD	F. IKEMATSU	13APR2020
PRODUCT SPEC	108-140257	
APPLICATION SPEC	114-5377	
WEIGHT	-	
CUSTOMER DRAWING		

STE TE Connectivity

NAME: TAB CONTACT, D1000 SLIM, DYNAMIC

SIZE	CAGE CODE	DRAWING NO	RESTRICTED TO
A3	-	©-2367819	-

SCALE: 8:1 SHEET 1 OF 1 REV A