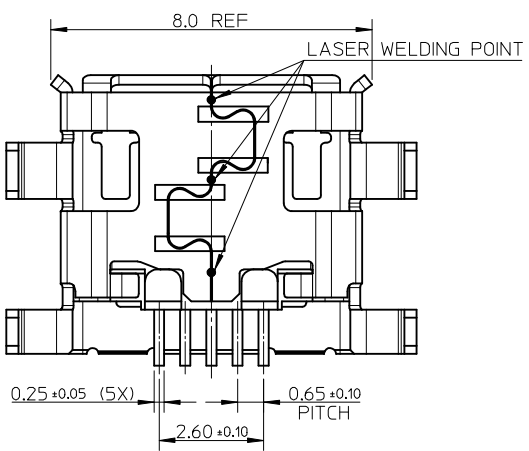
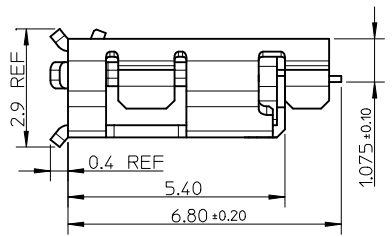
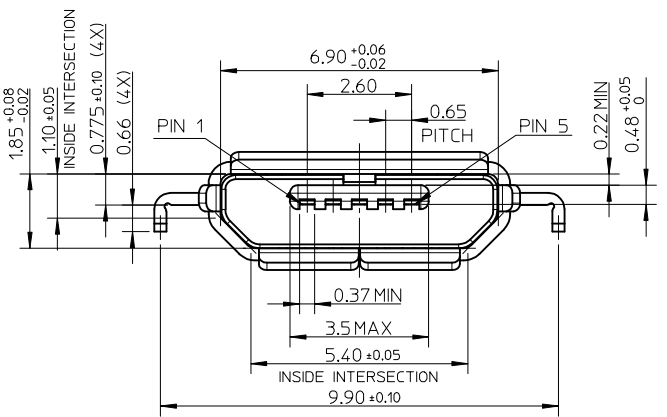


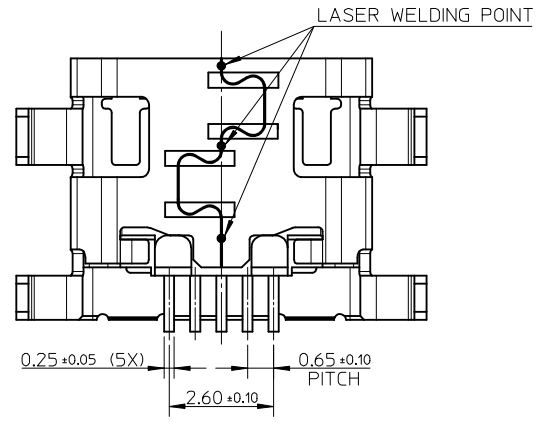
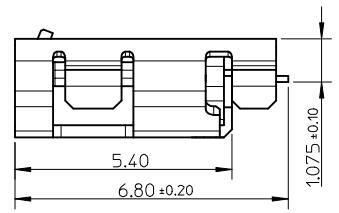
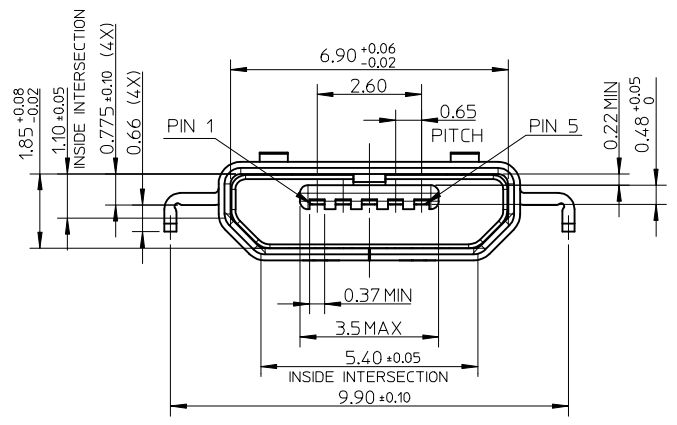
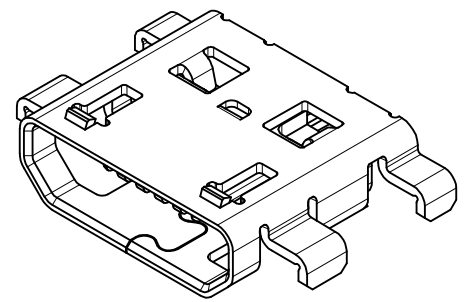
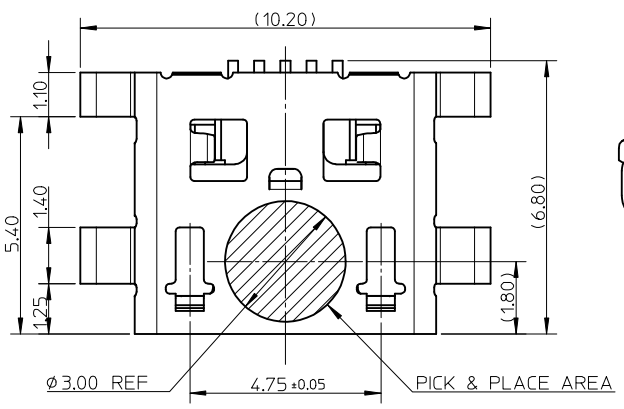
RECOMMENDED P.C.B. PATTERN LAYOUT
GENERAL TOLERANCE: ±0.05



NOTES:

1. MATERIAL:
HOUSING: LCP, BLACK, UL94V-0
TERMINAL: COPPER ALLOY, THICKNESS: 0.15mm
SHELL: STAINLESS STEEL, THICKNESS: 0.30mm
2. PLATING:
TERMINAL:
CONTACT AREA: GOLD FLASH OVER 0.75 MICRON MINIMUM Pd/Ni.
SOLDER TAIL AREA: GOLD FLASH.
UNDER PLATING: NICKEL 2.0 MICRON MINIMUM.
SHELL:
MATTE TIN 2.0 MICRON MINIMUM.
UNDER PLATING: NICKEL 1.27 MICRON MINIMUM.
3. TAIL & NAIL COPLANARITY 0.08mm MAXIMUM.
4. PRODUCT SPECIFICATION: PS-47642-001.
5. PACKAGE SPECIFICATION: PK-47642-001.
6. PRODUCT COMPLIANT TO RoHS DIRECTIVE 2002/95/EC AND ELV 2000/53/EC.

REVISED EC NO: SH2013-0086 DRWN:XOZHANG 2012/09/24 CH'KD:XOZHANG 2012/09/24 APPR:AYIN 2012/10/11	QUALITY SYMBOLS ▽=0 ▽=0 ▽=0	GENERAL TOLERANCES (UNLESS SPECIFIED)		DIMENSION STYLE		SCALE	DESIGN UNITS	THIRD ANGLE PROJECTION			
				MM ONLY		8:1	METRIC				
				mm	INCH	DRAWN BY	DATE	TITLE			
				ANGULAR ± 3 °		XJSONG	2011/09/22	MICRO USB B RECEPTACLE MIDDLE MOUNT			
		DRAFT WHERE APPLICABLE MUST REMAIN WITHIN DIMENSIONS		3 PLACES ± --- ± ---	CHECKED BY	DATE	molex MATERIAL NO. 105193-0001 DOCUMENT NO. SD-105193-001 SHEET NO. 1 OF 2				
				2 PLACES ± 0.25 ± ---	XJSONG	2011/09/22					
				1 PLACE ± 0.25 ± ---	APPROVED BY	DATE	THIS DRAWING CONTAINS INFORMATION THAT IS PROPRIETARY TO MOLEX INCORPORATED AND SHOULD NOT BE USED WITHOUT WRITTEN PERMISSION				
				0 PLACE ± --- ± ---	AYIN	2012/04/10					



SEE SHEET 1 EC NO: SH2013-0086 DRWN:XOZHANG 2012/09/24 CHKD:XOZHANG 2012/09/24 APPR:AYIN 2012/10/11	QUALITY SYMBOLS ▽=0 ▽=0 ▽=0	GENERAL TOLERANCES (UNLESS SPECIFIED)		DIMENSION STYLE	SCALE	DESIGN UNITS	THIRD ANGLE PROJECTION
		mm	INCH	MM ONLY	8:1	METRIC	
		4 PLACES ± --- ± ---	3 PLACES ± --- ± ---	DRAWN BY	DATE	TITLE	
		2 PLACES ± 0.25 ± ---	1 PLACE ± 0.25 ± ---	XJSONG	2011/09/22	MICRO USB B RECEPTACLE MIDDLE MOUNT FLANGELESS TYPE	
		0 PLACE ± --- ± ---		APPROVED BY	DATE		
				AYIN	2012/04/10		
			ANGULAR ± 3°	MATERIAL NO.	DOCUMENT NO.		
			DRAFT WHERE APPLICABLE MUST REMAIN WITHIN DIMENSIONS	105193-1001	SD-105193-001		
				SIZE A3	THIS DRAWING CONTAINS INFORMATION THAT IS PROPRIETARY TO MOLEX INCORPORATED AND SHOULD NOT BE USED WITHOUT WRITTEN PERMISSION		
							SHEET NO. 2 OF 2