

REVISIONS					
P	LTR	DESCRIPTION	DATE	DWN	APVD
D1		ECR-19-014657	13DEC2020	RR	SZ

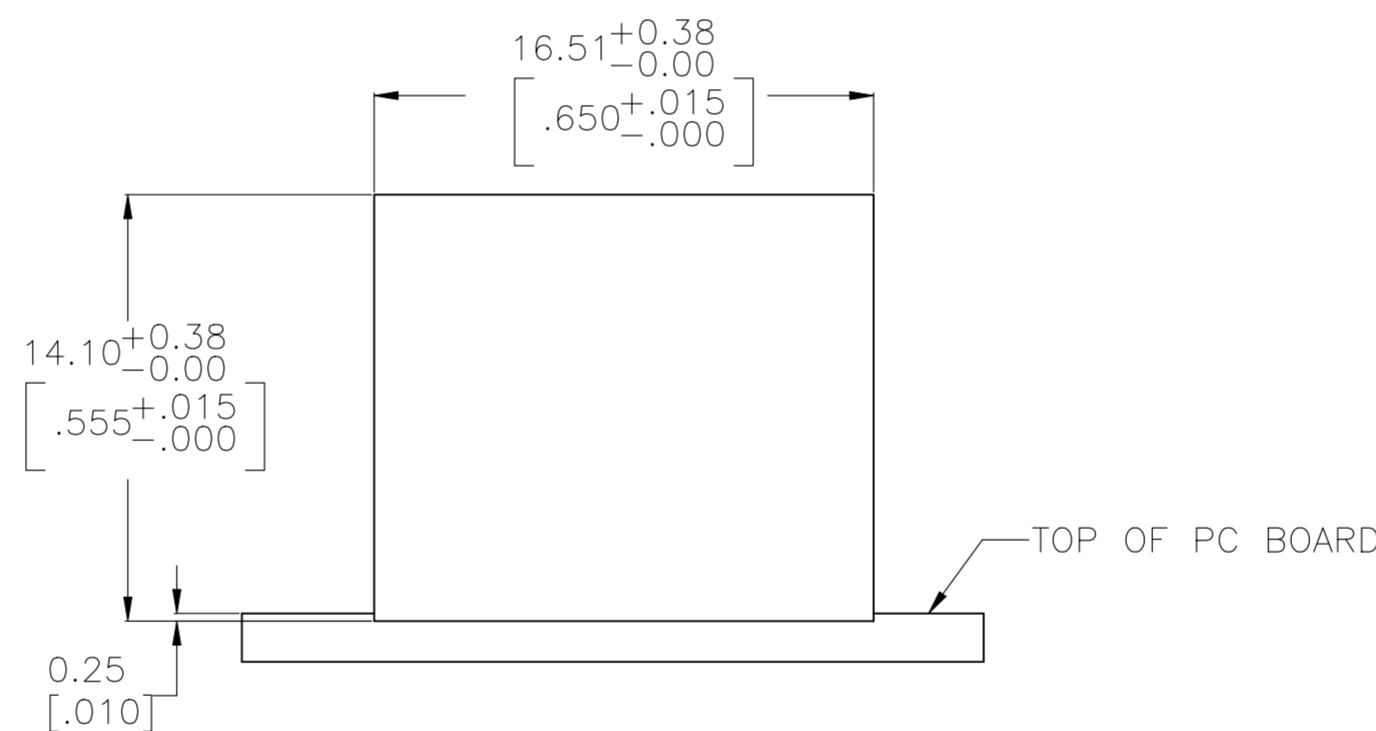
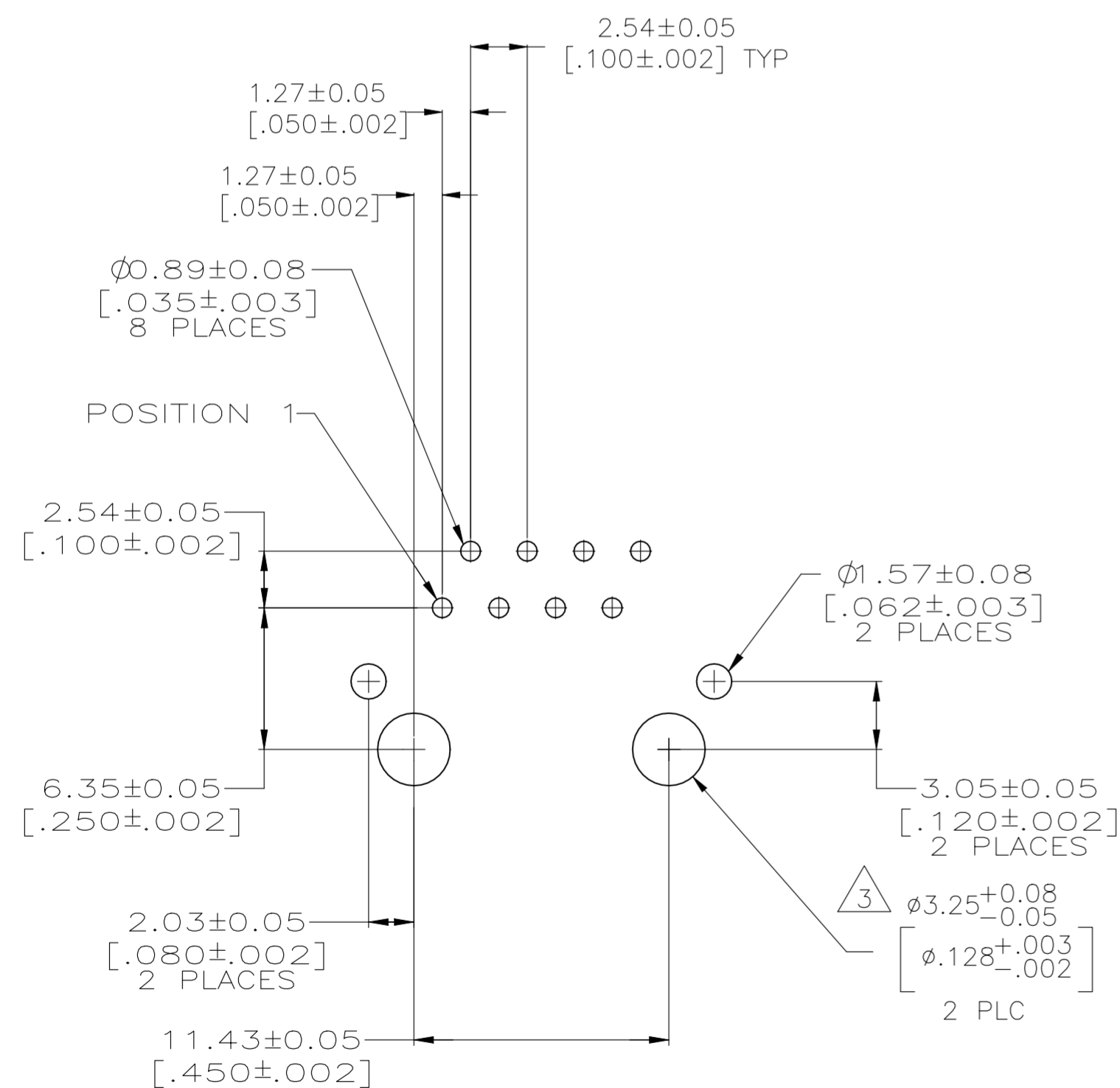
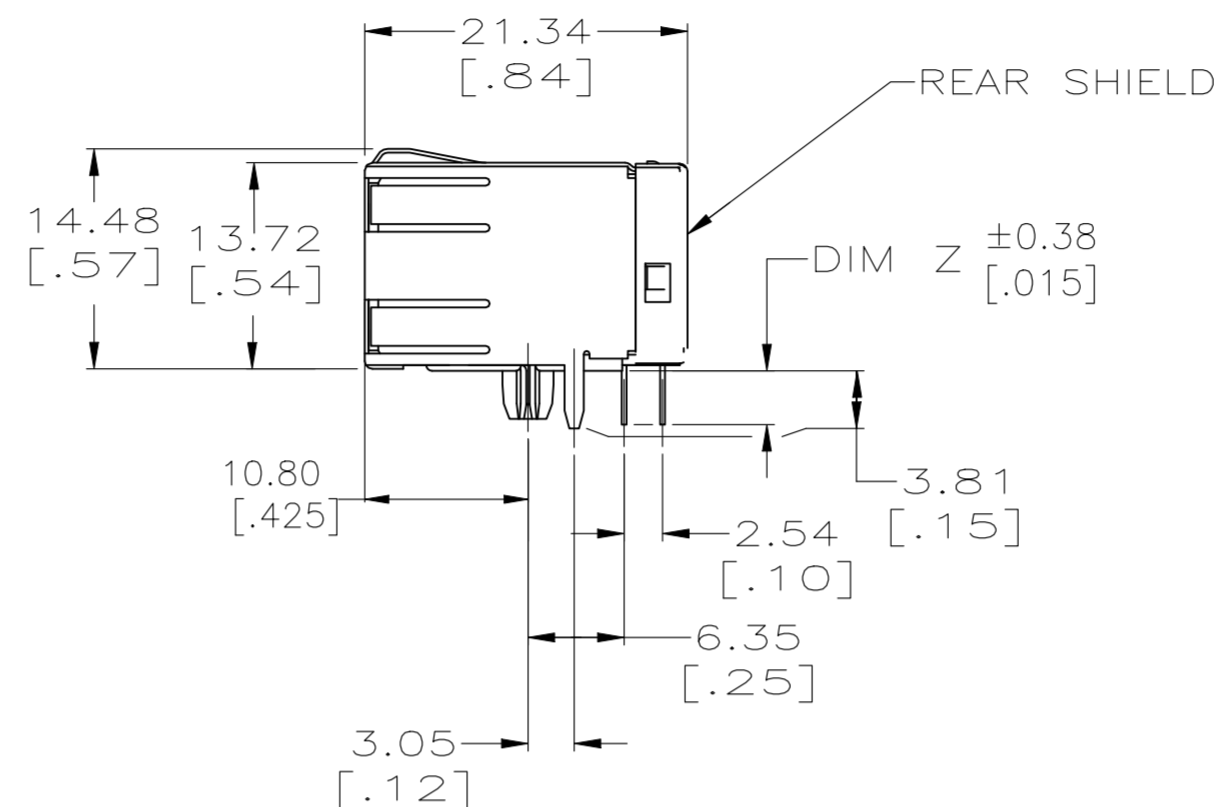
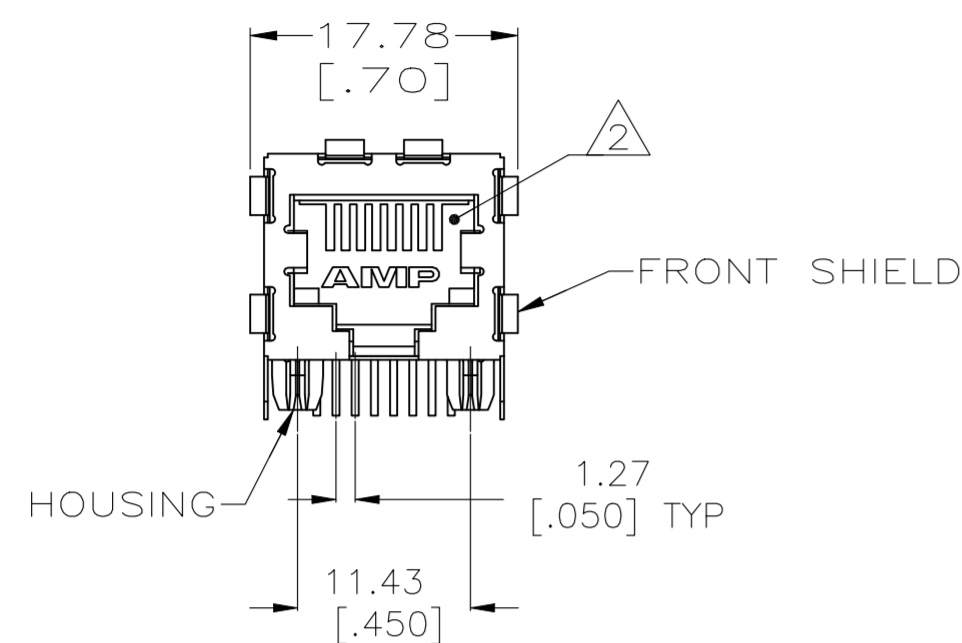
- MATERIAL: HOUSING - NYLON, COLOR: BLACK, UL 94V-0. OVERMOLDED TERMINAL ARRAY - PBT, COLOR: BROWN. TERMINALS - 0.33 [.013] THICK PHOS BRONZE PLATED WITH 1.27 μm [.000050] MINIMUM THICK HARD GOLD IN LOCALIZED AREA AND 3.81 μm [.000150] MINIMUM THICK MATTE TIN IN SOLDER AREA OVER 1.27 μm [.000050] MINIMUM THICK NICKEL UNDERPLATE. SHIELDS - 0.25 [.010] THICK COPPER ALLOY PLATED WITH 1.27 μm [.000050] MINIMUM NICKEL AND 2.03 μm [.000080] MINIMUM HOT TIN DIP ON PCB GROUND TABS.

⚠ JACK CAVITY CONFORMS TO FCC RULES AND REGULATIONS, PART 68 SUBPART F.

⚠ USE #30 DRILL BIT OR 3.25mm DRILL BIT WHEN PRODUCING THESE PCB HOLES.

4. DIELECTRIC WITHSTANDING VOLTAGE BETWEEN SHIELD AND TERMINAL IS 1500 VAC

⚠ PACKAGE: TAPE & REEL.



RECOMMENDED PANEL CUTOUT  
SCALE 4:1

RECOMMENDED PC BOARD LAYOUT  
COMPONENT SIDE  
SCALE 4:1

3.56 [.140]	⚠ 5406299-2
3.05 [.120]	1-5406299-1
3.56 [.140]	5406299-1
DIM. Z	PART NUMBER

THIS DRAWING IS A CONTROLLED DOCUMENT.		DWN T. SPRINKLE/L.A.MAYER 20APR2005	TE Connectivity	
DIMENSIONS: mm		CHK J.WESTMAN 20APR2005	APVD S.FLICKINGER 20APR2005	
TOLERANCES UNLESS OTHERWISE SPECIFIED:		NAME		MODULAR JACK ASY, SINGLE PORT, 8 P, SHIELDED, REVERSE PANEL GROUND TABS, CAT 5e
0 PLC ± -	1 PLC ± -	PRODUCT SPEC		108-1163-2
2 PLC ± 0.25[.01]	3 PLC ± 0.13[.005]	APPLICATION SPEC		114-2048
4 PLC ± -	ANGLES ± -	SIZE	CAGE CODE	DRAWING NO
MATERIAL SEE NOTE 1	FINISH SEE NOTE 1	WEIGHT 0.000000	A2 00779	RESTRICTED TO
CUSTOMER DRAWING		SCALE 2:1	SHEET 1 of 1	REV D1