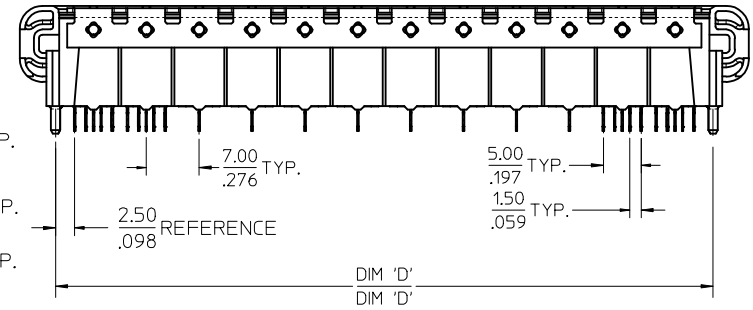
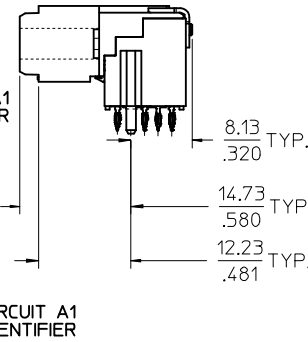
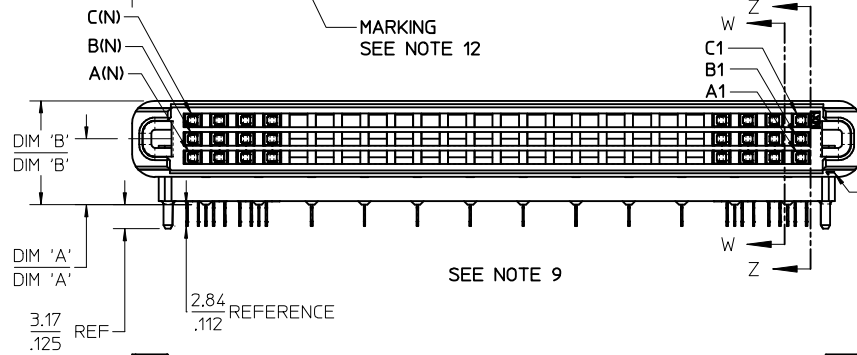
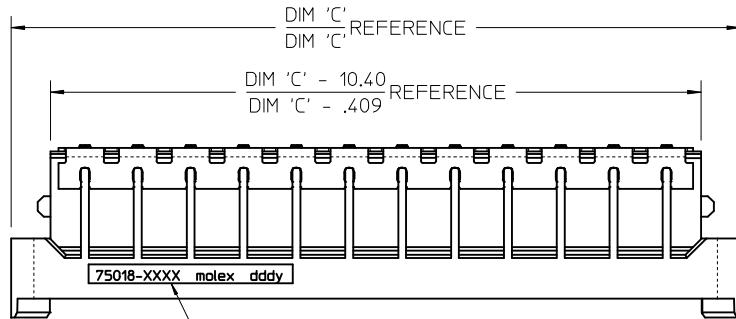


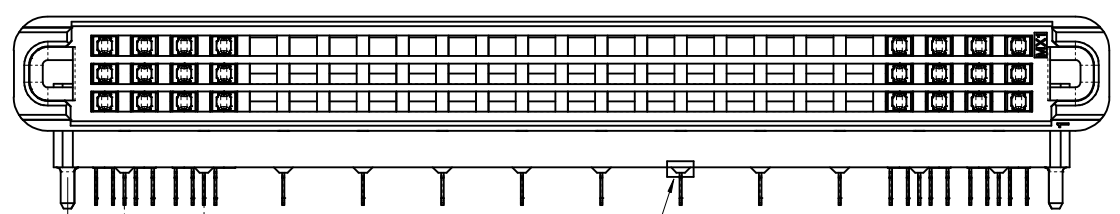
NOTES:

- 1) MATERIALS:  
HOUSING - LIQUID CRYSTAL POLYMER, UL94 V-0  
WAFER DIELECTRIC - LIQUID CRYSTAL POLYMER, UL94 V-0  
CONTACT - COPPER ALLOY
- 2) FINISHES: SEE SHEET 2
- 3) PRODUCT SPECIFICATION: THIS PART CONFORMS TO MOLEX SPECIFICATION PS-75018-001.
- 4) PACKAGING SPECIFICATION: THIS PART TO BE PACKAGED PER SPECIFICATION PK-75020-030.
- 5) APPLICATION SPECIFICATION: THIS PART TO BE APPLIED PER SPECIFICATION PS-75018-001. APPLICATION TOOL AND INSTRUCTIONS PER AS-75018-001.
- 6) MATING INFORMATION  
THIS PART MATES WITH 75019-XXXX.  
WILL MATE WITH MAXIMUM 1.27mm MIS-ALIGNMENT.  
WILL MATE WITH MAXIMUM 0.5° MIS-ALIGNMENT.
- 7) FOR CIRCUIT DESIGNATION SEE SHEET 3
- 8) FOR PCB INFORMATION SEE SHEET 3
- 9) CIRCUITS IN THIS ZONE HAVE BEEN OMITTED TO SIMPLIFY THE MODEL. ACTUAL PRODUCT IS FULLY LOADED WITH TERMINALS.
- 10) APPLICATION TOOLING KEEP OUT AREA. NO COMPONENTS ALLOWED IN THIS AREA.
- 11) CONFORMS TO MOLEX COSMETIC SPECIFICATION PS-45499-002 & PS-45499-003, CLASS C.
- 12) MARKING: PART NUMBER, MOLEX LOGO, DATE CODE
- 13) RECOMMENDED DRILL SIZE 0.66±0.03 TO YIELD FINISHED PLATED THROUGH HOLE OF 0.55±0.05



<b>CLARIFY DIMENSIONS</b> EC NO: UCP2016-2525 DRWN: TIBARRA 2015/12/18 CHK: MCAIN 2015/12/18 APPR: MILLER 2015/12/22	QUALITY SYMBOLS ▽=0 ▽=0 ▽=0	GENERAL TOLERANCES (UNLESS SPECIFIED) <table border="1"> <tr> <th></th> <th>mm</th> <th>INCH</th> </tr> <tr> <td>4 PLACES</td> <td>± .15</td> <td>± .005</td> </tr> <tr> <td>3 PLACES</td> <td>± .10</td> <td>± .005</td> </tr> <tr> <td>2 PLACES</td> <td>± 0.13</td> <td>± .01</td> </tr> <tr> <td>1 PLACE</td> <td>± 0.25</td> <td>± .01</td> </tr> <tr> <td>0 PLACE</td> <td>±</td> <td>±</td> </tr> </table>		mm	INCH	4 PLACES	± .15	± .005	3 PLACES	± .10	± .005	2 PLACES	± 0.13	± .01	1 PLACE	± 0.25	± .01	0 PLACE	±	±	DIMENSION STYLE MM/IN DRAWN BY: RWHIPPLE DATE: 2013/11/05 CHECKED BY: [ ] DATE: [ ] APPROVED BY: SMILLER DATE: 2013/11/19	SCALE 2:1 DESIGN UNITS METRIC THIRD ANGLE PROJECTION	TITLE <b>PLATEAU HS DOCK          FIXED CONNECTOR          NO GROUND FINGER</b> <b>molex</b>	DOCUMENT NO. <b>SD-75018-5000</b>	SHEET NO. 1 OF 3
		mm	INCH																						
	4 PLACES	± .15	± .005																						
	3 PLACES	± .10	± .005																						
2 PLACES	± 0.13	± .01																							
1 PLACE	± 0.25	± .01																							
0 PLACE	±	±																							
DRAFT WHERE APPLICABLE MUST REMAIN WITHIN DIMENSIONS	ANGULAR ±1/2°	MATERIAL NO. <b>SEE TABLE</b>	THIS DRAWING CONTAINS INFORMATION THAT IS PROPRIETARY TO MOLEX. INCORPORATED AND SHOULD NOT BE USED WITHOUT WRITTEN PERMISSION																						

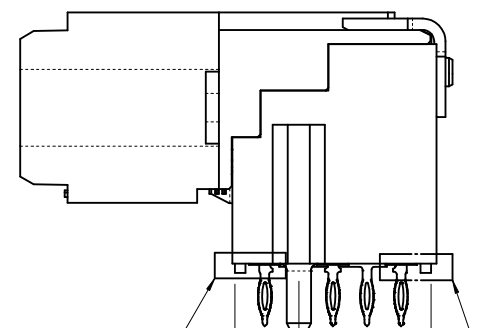
ITEM NUMBER	CIRCUIT SIZE	NO. OF COLUMNS 'N'	PLATING FINISH	CENTERLINE DIMENSION 'A' mm(in)	O/A HEIGHT DIMENSION 'B' mm(in)	O/A LENGTH DIMENSION 'C' mm(in)	PEG TO PEG DIMENSION 'D' mm(in)	FIRST-LAST DIMENSION 'E' mm(in)
75018-5021	144	24	FINISH 1	4.74 (.187)	9.78 (.385)	96.50 (3.799)	87.00 (3.425)	82.00 (3.228)
75018-5022	144	24	FINISH 1	5.74 (.226)	10.78 (.424)	96.50 (3.799)	87.00 (3.425)	82.00 (3.228)
75018-5023	144	24	FINISH 1	8.74 (.344)	13.78 (.543)	96.50 (3.799)	87.00 (3.425)	82.00 (3.228)
75018-5024	108	18	FINISH 1	4.74 (.187)	9.78 (.385)	75.50 (2.972)	66.00 (2.598)	61.00 (2.402)
75018-5025	108	18	FINISH 1	8.74 (.344)	13.78 (.543)	75.50 (2.972)	66.00 (2.598)	61.00 (2.402)
75018-5026	120	20	FINISH 1	4.74 (.187)	9.78 (.385)	82.50 (3.248)	73.00 (2.874)	68.00 (2.677)
75018-5027	108	18	FINISH 1	5.74 (.226)	10.78 (.424)	75.50 (2.972)	66.00 (2.598)	61.00 (2.402)
75018-5029	120	20	FINISH 1	5.74 (.226)	10.78 (.424)	82.50 (3.248)	73.00 (2.874)	68.00 (2.677)
75018-5221	144	24	FINISH 2	4.74 (.187)	9.78 (.385)	96.50 (3.799)	87.00 (3.425)	82.00 (3.228)
75018-5224	108	18	FINISH 2	4.74 (.187)	9.78 (.385)	75.50 (2.972)	66.00 (2.598)	61.00 (2.402)



5.00  
.197 REFERENCE

7.00  
.276 REFERENCE TYPICAL

SEE DETAIL A



3.38  
.133 REFERENCE TYPICAL

6.98  
.275 REFERENCE TYPICAL

SEE DETAIL B

SEE DETAIL C

1) PLATING FINISHES:

FINISH 1:

CONTACT INTERFACE

0.76 MICROMETERS/30 MICROINCHES MINIMUM SELECT GOLD  
NICKEL UNDERPLATE OVERALL

COMPLIANT INTERFACE

0.76 MICROMETERS/30 MICROINCHES MINIMUM SELECT MATTE-TIN OVER  
NICKEL UNDERPLATE OVERALL

HOUSING

3.81 MICROMETERS/150 MICROINCHES MINIMUM NICKEL OVER  
COPPER UNDERPLATE OVERALL

FINISH 2:

CONTACT INTERFACE

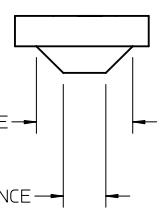
0.76 MICROMETERS/30 MICROINCHES MINIMUM SELECT GOLD  
NICKEL UNDERPLATE OVERALL

COMPLIANT INTERFACE

0.76 MICROMETERS/30 MICROINCHES MINIMUM SELECT MATTE-TIN OVER  
NICKEL UNDERPLATE OVERALL

HOUSING

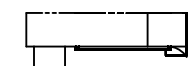
0.10 MICROMETERS/4 MICROINCHES MAXIMUM GOLD OVER  
3.81 MICROMETERS/150 MICROINCHES MINIMUM NICKEL OVER  
COPPER UNDERPLATE OVERALL



1.70  
.067 REFERENCE TYPICAL

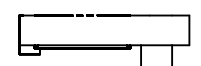
0.75  
.030 REFERENCE TYPICAL

DETAIL A  
SCALE 15:1



0.55  
.022 REFERENCE TYPICAL

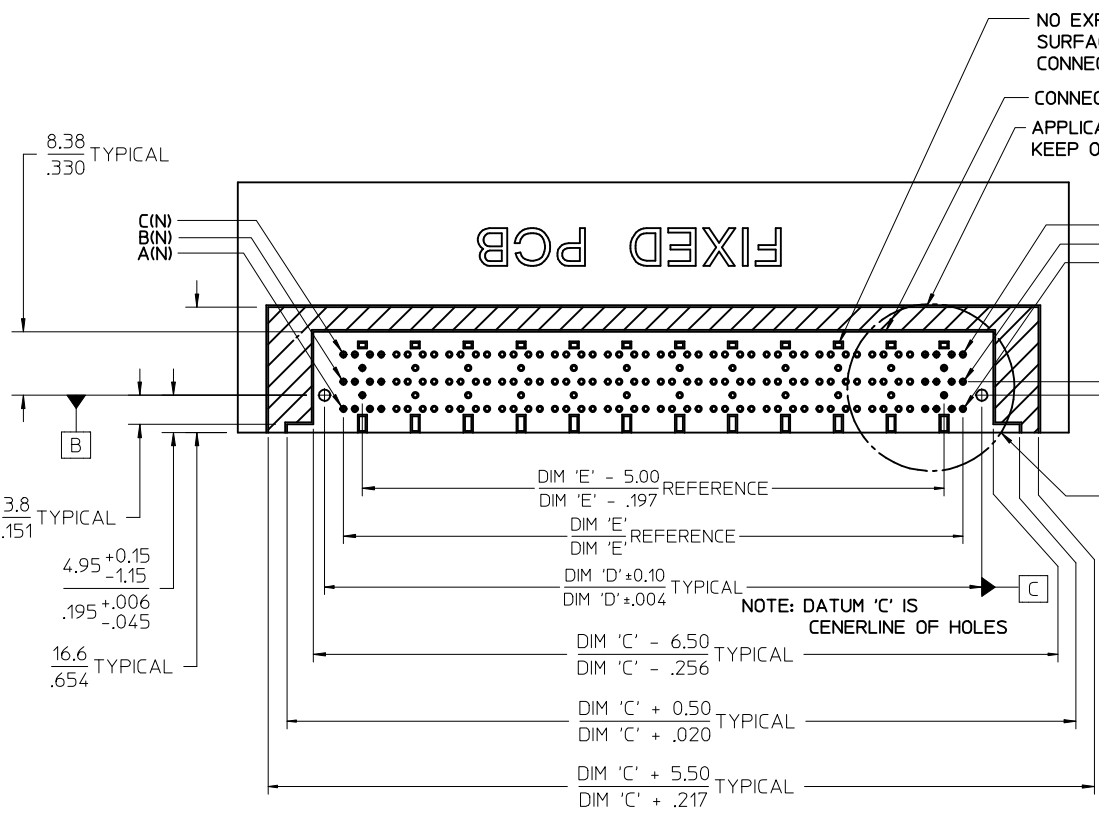
DETAIL B  
SCALE 15:1



0.55  
.022 REFERENCE TYPICAL

DETAIL C  
SCALE 15:1

<b>SEE SHEET 1</b> EC NO: UCP2016-2525 DRWN: TIBARRA 2015/12/18 CHK: MCAN 2015/12/18 APPR: MILLER 2015/12/22 REV:	QUALITY SYMBOLS ∇=0 ∇=0 ∇=0	GENERAL TOLERANCES (UNLESS SPECIFIED) <table border="1"> <thead> <tr> <th></th> <th>mm</th> <th>INCH</th> </tr> </thead> <tbody> <tr> <td>4 PLACES</td> <td>± .005</td> <td>± .0005</td> </tr> <tr> <td>3 PLACES</td> <td>± .01</td> <td>± .001</td> </tr> <tr> <td>2 PLACES</td> <td>± 0.13</td> <td>± .01</td> </tr> <tr> <td>1 PLACE</td> <td>± 0.25</td> <td>± .01</td> </tr> <tr> <td>0 PLACE</td> <td>±</td> <td>±</td> </tr> </tbody> </table>		mm	INCH	4 PLACES	± .005	± .0005	3 PLACES	± .01	± .001	2 PLACES	± 0.13	± .01	1 PLACE	± 0.25	± .01	0 PLACE	±	±	DIMENSION STYLE <b>MM/IN</b> DRAWN BY: RWHIPPLE DATE: 2013/11/05 CHECKED BY: DATE:	SCALE <b>3:1</b> TITLE <b>PLATEAU HS DOCK FIXED CONNECTOR NO GROUND FINGER</b>	DESIGN UNITS <b>METRIC</b> THIRD ANGLE PROJECTION
		mm	INCH																				
	4 PLACES	± .005	± .0005																				
	3 PLACES	± .01	± .001																				
2 PLACES	± 0.13	± .01																					
1 PLACE	± 0.25	± .01																					
0 PLACE	±	±																					
		ANGULAR ±1/2° DRAFT WHERE APPLICABLE MUST REMAIN WITHIN DIMENSIONS	APPROVED BY: MILLER DATE: 2013/11/19 MATERIAL NO. <b>SEE TABLE</b>	<b>molex</b>																			
			DOCUMENT NO. <b>SD-75018-5000</b>	SHEET NO. <b>2 OF 3</b>																			
			THIS DRAWING CONTAINS INFORMATION THAT IS PROPRIETARY TO MOLEX INCORPORATED AND SHOULD NOT BE USED WITHOUT WRITTEN PERMISSION																				

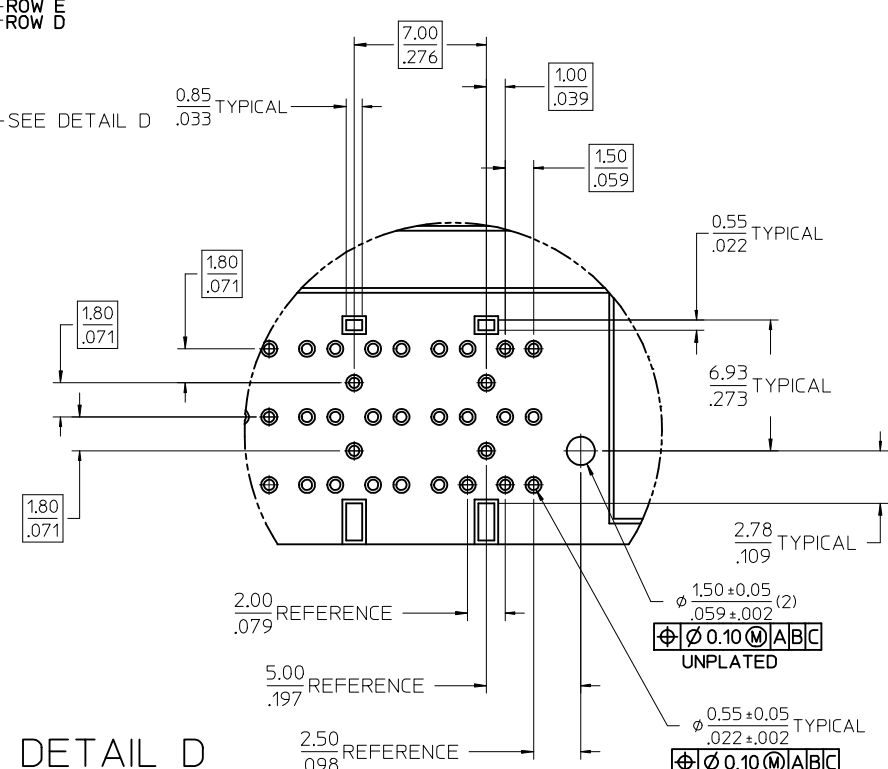


CIRCUIT DESIGNATION

FIRST MATE: HOUSING - SIGNAL GROUND  
 SECOND MATE: A1, C1, A(N), C(N) (FOR POWER RETURN)  
 THIRD MATE: A2, B2, C2, A(N-1), B(N-1), C(N-1) & ALL OTHERS (A2, C2, A(N-1) & C(N-1) FOR POWER) (ALL OTHERS SIGNAL)  
 LAST MATE: B1, B(N) (FOR CARD DETECT)

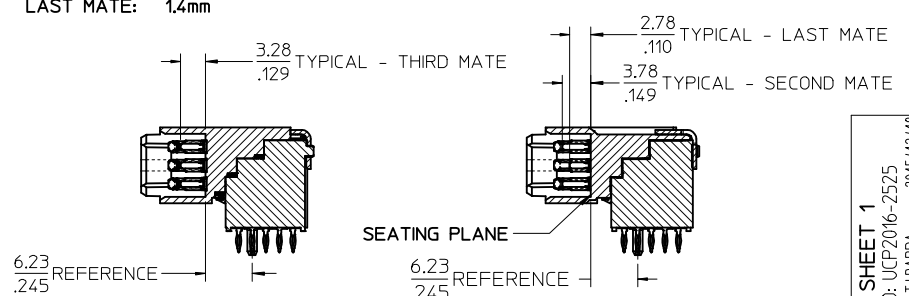
ALL COLUMNS FROM 3 THROUGH (N-2) ARE SUITABLE FOR DIFFERENTIAL PAIRS  
 EG: A3-A4, B3-B4, C3-C4, A(N-2)-A(N-3), B(N-2)-B(N-3)

SIGNAL GROUND: ROWS D & E



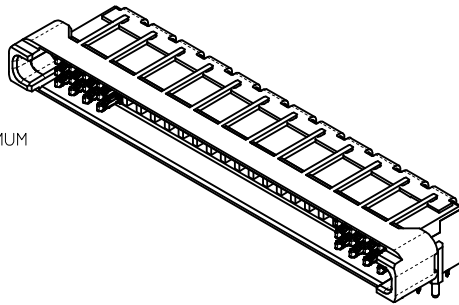
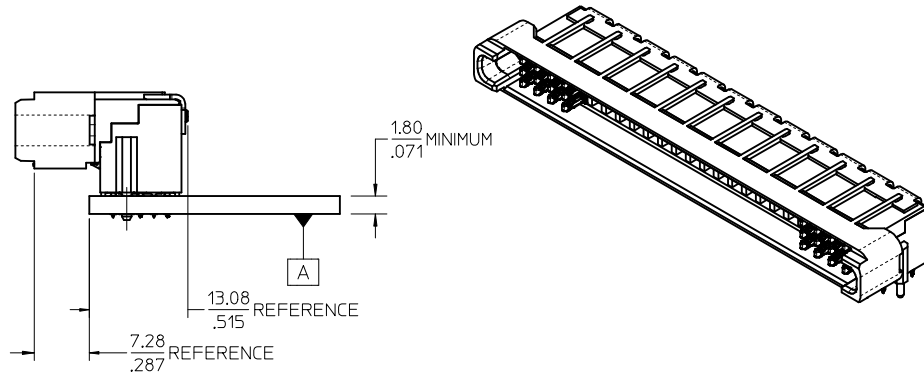
NOMINAL WIPE - FULL SEATED

FIRST MATE: 7.2mm  
 SECOND MATE: 2.4mm  
 THIRD MATE: 1.9mm  
 LAST MATE: 1.4mm



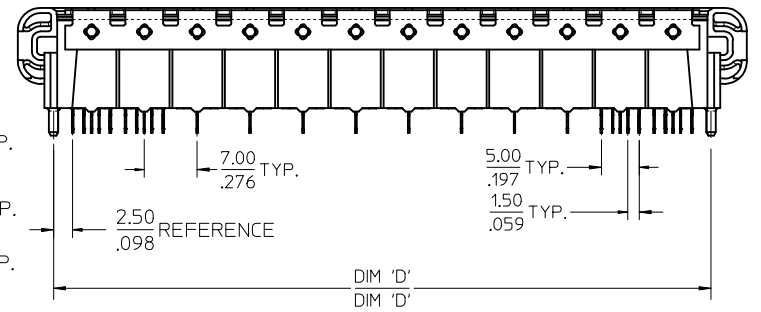
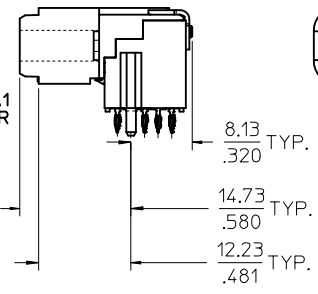
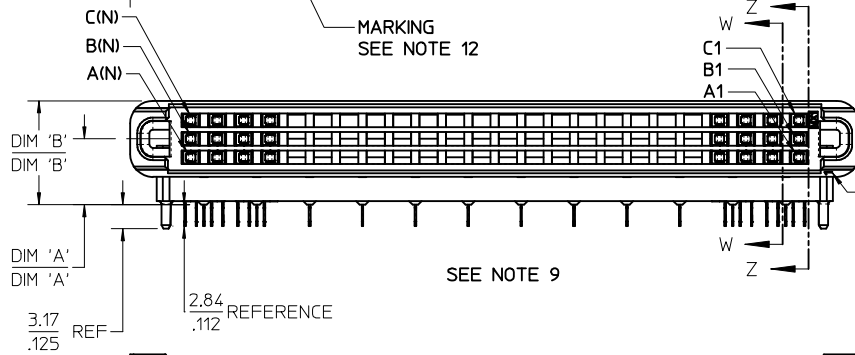
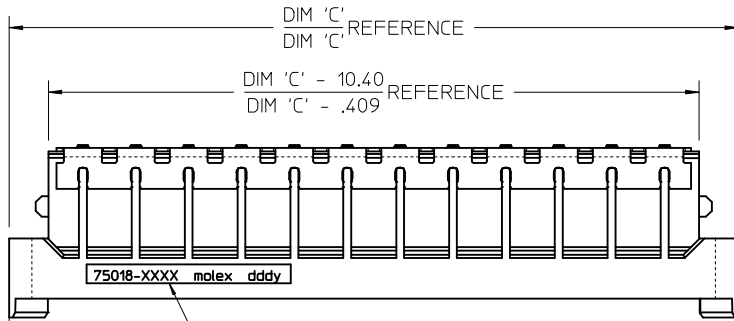
DETAIL D  
 SCALE 5:1

SEE SHEET 1 EC NO: UCP2016-2525 DRWN: TIBARRA 2015/12/18 CHKD: MCAN 2015/12/18 APPR: MILLER 2015/12/17	QUALITY SYMBOLS ▽=0 ▽=0 ▽=0	GENERAL TOLERANCES (UNLESS SPECIFIED)		DIMENSION STYLE MM/IN	SCALE 2:1	DESIGN UNITS METRIC	THIRD ANGLE PROJECTION		
		4 PLACES ± --- ± --- 3 PLACES ± --- ± .005 2 PLACES ± 0.13 ± .01 1 PLACE ± 0.25 ± --- 0 PLACE ± ±	mm INCH ± --- ± --- ± .005 ± .005 ± 0.13 ± .01 ± 0.25 ± --- ± ±	DRAWN BY RWHIPPLE	DATE 2013/11/05	CHECKED BY DATE	TITLE PLATEAU HS DOCK FIXED CONNECTOR NO GROUND FINGER	DOCUMENT NO. SD-75018-5000	SHEET NO. 3 OF 3
		ANGULAR ±1/2°		APPROVED BY SMILLER	DATE 2013/11/19	<b>molex</b>			
		DRAFT WHERE APPLICABLE MUST REMAIN WITHIN DIMENSIONS		SEE TABLE		THIS DRAWING CONTAINS INFORMATION THAT IS PROPRIETARY TO MOLEX INCORPORATED AND SHOULD NOT BE USED WITHOUT WRITTEN PERMISSION			



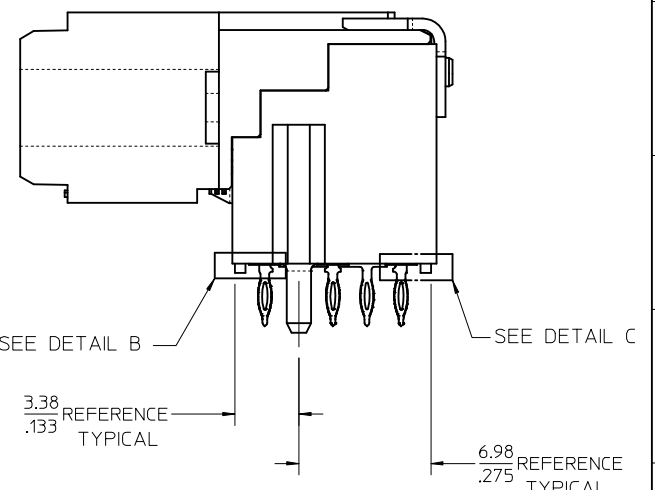
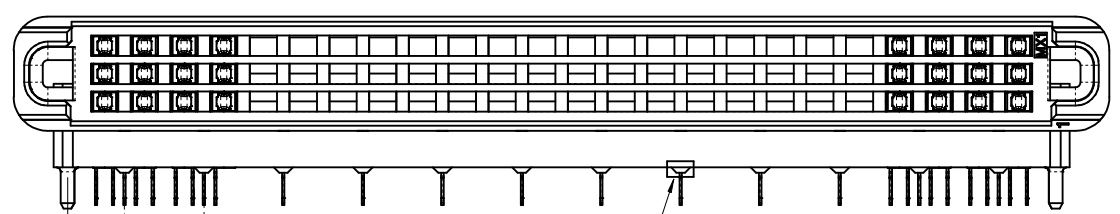
NOTES:

- 1) MATERIALS:  
HOUSING - LIQUID CRYSTAL POLYMER, UL94 V-0  
WAFER DIELECTRIC - LIQUID CRYSTAL POLYMER, UL94 V-0  
CONTACT - COPPER ALLOY
- 2) FINISHES: SEE SHEET 2
- 3) PRODUCT SPECIFICATION: THIS PART CONFORMS TO MOLEX SPECIFICATION PS-75018-001.
- 4) PACKAGING SPECIFICATION: THIS PART TO BE PACKAGED PER SPECIFICATION PK-75020-030.
- 5) APPLICATION SPECIFICATION: THIS PART TO BE APPLIED PER SPECIFICATION PS-75018-001. APPLICATION TOOL AND INSTRUCTIONS PER AS-75018-001.
- 6) MATING INFORMATION  
THIS PART MATES WITH 75019-XXXX.  
WILL MATE WITH MAXIMUM 1.27mm MIS-ALIGNMENT.  
WILL MATE WITH MAXIMUM 0.5° MIS-ALIGNMENT.
- 7) FOR CIRCUIT DESIGNATION SEE SHEET 3
- 8) FOR PCB INFORMATION SEE SHEET 3
- 9) CIRCUITS IN THIS ZONE HAVE BEEN OMITTED TO SIMPLIFY THE MODEL. ACTUAL PRODUCT IS FULLY LOADED WITH TERMINALS.
- 10) APPLICATION TOOLING KEEP OUT AREA. NO COMPONENTS ALLOWED IN THIS AREA.
- 11) CONFORMS TO MOLEX COSMETIC SPECIFICATION PS-45499-002 & PS-45499-003, CLASS C.
- 12) MARKING: PART NUMBER, MOLEX LOGO, DATE CODE
- 13) RECOMMENDED DRILL SIZE 0.66±0.03 TO YIELD FINISHED PLATED THROUGH HOLE OF 0.55±0.05

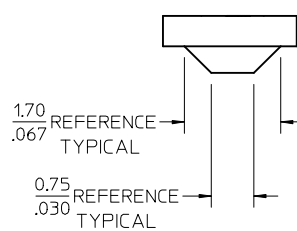


<b>CLARIFY DIMENSIONS</b> EC NO: UCP2016-2525 DRWN: TIBARRA 2015/12/18 CHK: MCAIN 2015/12/18 APPR: MILLER 2015/12/22	QUALITY SYMBOLS ▽=0 ▽=0 ▽=0	GENERAL TOLERANCES (UNLESS SPECIFIED) <table border="1"> <tr> <th></th> <th>mm</th> <th>INCH</th> </tr> <tr> <td>4 PLACES</td> <td>± .15</td> <td>± .005</td> </tr> <tr> <td>3 PLACES</td> <td>± .10</td> <td>± .005</td> </tr> <tr> <td>2 PLACES</td> <td>± 0.13</td> <td>± .01</td> </tr> <tr> <td>1 PLACE</td> <td>± 0.25</td> <td>± .01</td> </tr> <tr> <td>0 PLACE</td> <td>±</td> <td>±</td> </tr> </table>		mm	INCH	4 PLACES	± .15	± .005	3 PLACES	± .10	± .005	2 PLACES	± 0.13	± .01	1 PLACE	± 0.25	± .01	0 PLACE	±	±	DIMENSION STYLE MM/IN DRAWN BY: RWHIPPLE DATE: 2013/11/05 CHECKED BY: [ ] DATE: [ ] APPROVED BY: SMILLER DATE: 2013/11/19	SCALE 2:1 DESIGN UNITS METRIC THIRD ANGLE PROJECTION	TITLE <b>PLATEAU HS DOCK FIXED CONNECTOR NO GROUND FINGER</b> <b>molex</b>	SHEET NO. 1 OF 3
		mm	INCH																					
	4 PLACES	± .15	± .005																					
	3 PLACES	± .10	± .005																					
2 PLACES	± 0.13	± .01																						
1 PLACE	± 0.25	± .01																						
0 PLACE	±	±																						
DRAFT WHERE APPLICABLE MUST REMAIN WITHIN DIMENSIONS	MATERIAL NO. <b>SEE TABLE</b>	DOCUMENT NO. <b>SD-75018-5000</b>																						
THIS DRAWING CONTAINS INFORMATION THAT IS PROPRIETARY TO MOLEX. INCORPORATED AND SHOULD NOT BE USED WITHOUT WRITTEN PERMISSION																								

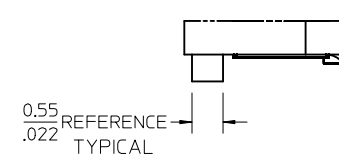
ITEM NUMBER	CIRCUIT SIZE	NO. OF COLUMNS 'N'	PLATING FINISH	CENTERLINE DIMENSION 'A' mm(in)	O/A HEIGHT DIMENSION 'B' mm(in)	O/A LENGTH DIMENSION 'C' mm(in)	PEG TO PEG DIMENSION 'D' mm(in)	FIRST-LAST DIMENSION 'E' mm(in)
75018-5021	144	24	FINISH 1	4.74 (.187)	9.78 (.385)	96.50 (3.799)	87.00 (3.425)	82.00 (3.228)
75018-5022	144	24	FINISH 1	5.74 (.226)	10.78 (.424)	96.50 (3.799)	87.00 (3.425)	82.00 (3.228)
75018-5023	144	24	FINISH 1	8.74 (.344)	13.78 (.543)	96.50 (3.799)	87.00 (3.425)	82.00 (3.228)
75018-5024	108	18	FINISH 1	4.74 (.187)	9.78 (.385)	75.50 (2.972)	66.00 (2.598)	61.00 (2.402)
75018-5025	108	18	FINISH 1	8.74 (.344)	13.78 (.543)	75.50 (2.972)	66.00 (2.598)	61.00 (2.402)
75018-5026	120	20	FINISH 1	4.74 (.187)	9.78 (.385)	82.50 (3.248)	73.00 (2.874)	68.00 (2.677)
75018-5027	108	18	FINISH 1	5.74 (.226)	10.78 (.424)	75.50 (2.972)	66.00 (2.598)	61.00 (2.402)
75018-5029	120	20	FINISH 1	5.74 (.226)	10.78 (.424)	82.50 (3.248)	73.00 (2.874)	68.00 (2.677)
75018-5221	144	24	FINISH 2	4.74 (.187)	9.78 (.385)	96.50 (3.799)	87.00 (3.425)	82.00 (3.228)
75018-5224	108	18	FINISH 2	4.74 (.187)	9.78 (.385)	75.50 (2.972)	66.00 (2.598)	61.00 (2.402)



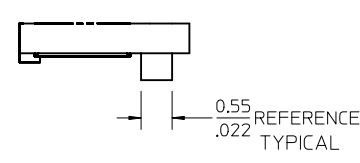
- 1) PLATING FINISHES:
- FINISH 1:
- CONTACT INTERFACE
    - 0.76 MICROMETERS/30 MICROINCHES MINIMUM SELECT GOLD
    - NICKEL UNDERPLATE OVERALL
  - COMPLIANT INTERFACE
    - 0.76 MICROMETERS/30 MICROINCHES MINIMUM SELECT MATTE-TIN OVER
    - NICKEL UNDERPLATE OVERALL
  - HOUSING
    - 3.81 MICROMETERS/150 MICROINCHES MINIMUM NICKEL OVER
    - COPPER UNDERPLATE OVERALL
- FINISH 2:
- CONTACT INTERFACE
    - 0.76 MICROMETERS/30 MICROINCHES MINIMUM SELECT GOLD
    - NICKEL UNDERPLATE OVERALL
  - COMPLIANT INTERFACE
    - 0.76 MICROMETERS/30 MICROINCHES MINIMUM SELECT MATTE-TIN OVER
    - NICKEL UNDERPLATE OVERALL
  - HOUSING
    - 0.10 MICROMETERS/4 MICROINCHES MAXIMUM GOLD OVER
    - 3.81 MICROMETERS/150 MICROINCHES MINIMUM NICKEL OVER
    - COPPER UNDERPLATE OVERALL



DETAIL A  
SCALE 15:1

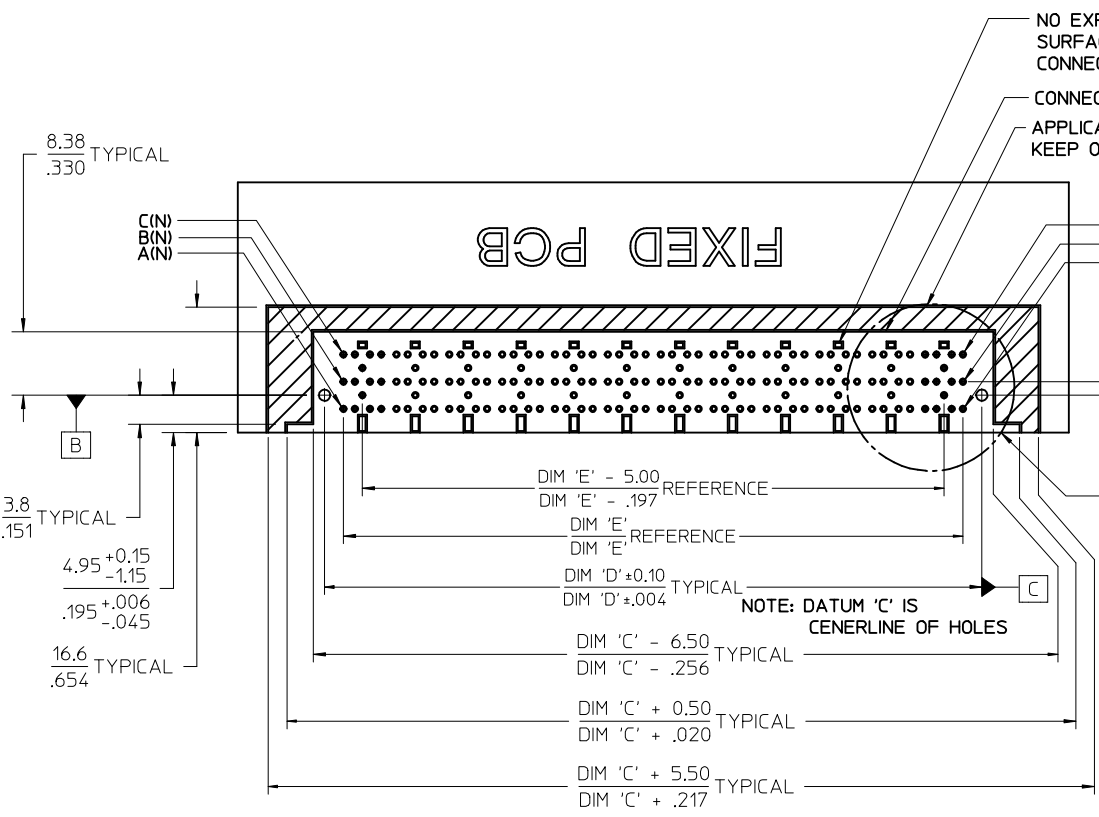


DETAIL B  
SCALE 15:1



DETAIL C  
SCALE 15:1

<b>SEE SHEET 1</b> EC NO: UCP2016-2525 DRWN: TIBARRA 2015/12/18 CHK: MCANIN 2015/12/18 APPR: MILLER 2015/12/22	QUALITY SYMBOLS ∇=0 ∇=0 ∇=0	GENERAL TOLERANCES (UNLESS SPECIFIED)		DIMENSION STYLE	SCALE	DESIGN UNITS	THIRD ANGLE PROJECTION	
		mm	INCH	MM/IN	3:1	METRIC	☉	
		4 PLACES ± ---	± ---	RWHIPPLE	DATE	<b>PLATEAU HS DOCK FIXED CONNECTOR NO GROUND FINGER</b>		
		3 PLACES ± ---	± .005	CHECKED BY	DATE			
2 PLACES ± 0.13	± .01	APPROVED BY	DATE	<b>molex</b>				
1 PLACE ± 0.25	± ---	SMILLER	2013/11/19					
0 PLACE ±	±	ANGULAR ±1/2°		MATERIAL NO.	DOCUMENT NO.	SHEET NO.		
DRAFT WHERE APPLICABLE MUST REMAIN WITHIN DIMENSIONS		SIZE		SEE TABLE		SD-75018-5000	2 OF 3	
THIS DRAWING CONTAINS INFORMATION THAT IS PROPRIETARY TO MOLEX INCORPORATED AND SHOULD NOT BE USED WITHOUT WRITTEN PERMISSION								

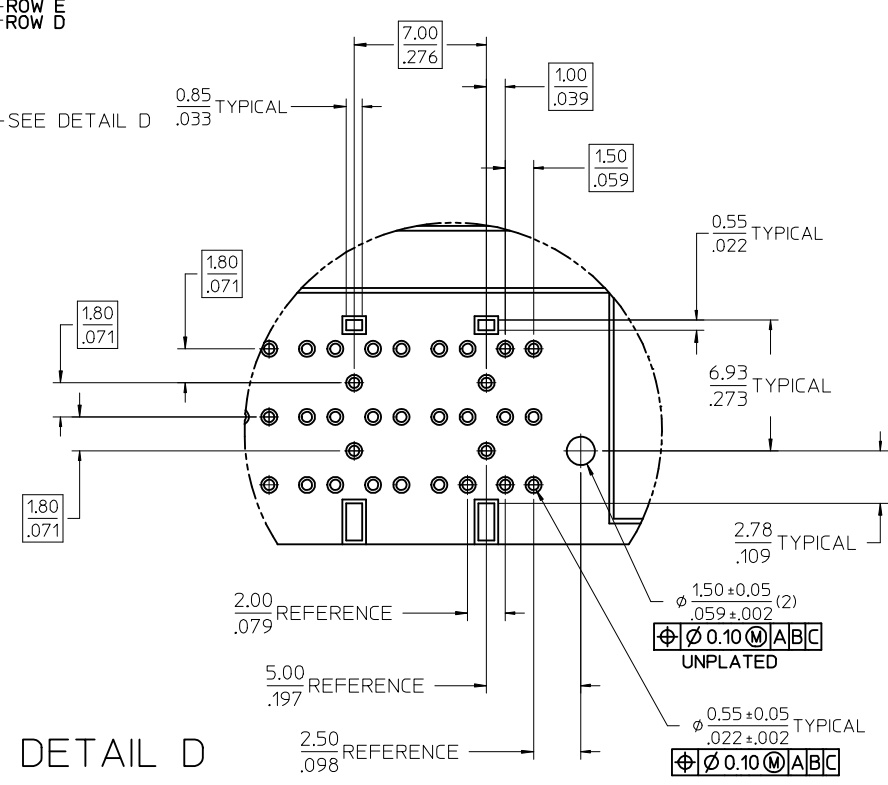


CIRCUIT DESIGNATION

FIRST MATE: HOUSING - SIGNAL GROUND  
 SECOND MATE: A1, C1, A(N), C(N) (FOR POWER RETURN)  
 THIRD MATE: A2, B2, C2, A(N-1), B(N-1), C(N-1) & ALL OTHERS (A2, C2, A(N-1) & C(N-1) FOR POWER) (ALL OTHERS SIGNAL)  
 LAST MATE: B1, B(N) (FOR CARD DETECT)

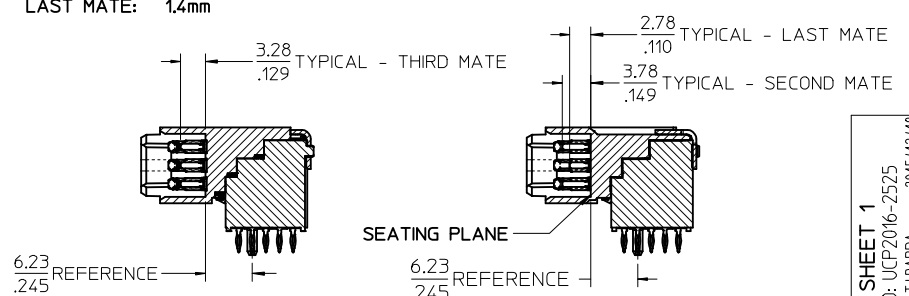
ALL COLUMNS FROM 3 THROUGH (N-2) ARE SUITABLE FOR DIFFERENTIAL PAIRS  
 EG: A3-A4, B3-B4, C3-C4, A(N-2)-A(N-3), B(N-2)-B(N-3)

SIGNAL GROUND: ROWS D & E



NOMINAL WIPE - FULL SEATED

FIRST MATE: 7.2mm  
 SECOND MATE: 2.4mm  
 THIRD MATE: 1.9mm  
 LAST MATE: 1.4mm



DETAIL D  
 SCALE 5:1

SEE SHEET 1 EC NO: UCP2016-2525 2015/12/18 DRWN:TIBARRA CHKD:MCAIN 2015/12/18 APPR:SMILLER 2015/12/17	QUALITY SYMBOLS ▽=0 ▽=0 ▽=0	GENERAL TOLERANCES (UNLESS SPECIFIED)		DIMENSION STYLE MM/IN	SCALE 2:1	DESIGN UNITS METRIC	THIRD ANGLE PROJECTION
		mm	INCH	DRAWN BY RWHIPPLE	DATE 2013/11/05	TITLE PLATEAU HS DOCK FIXED CONNECTOR NO GROUND FINGER	SHEET NO. 3 OF 3
4 PLACES ± --- ± ---		3 PLACES ± --- ± .005		CHECKED BY		DATE	
2 PLACES ± 0.13 ± .01		1 PLACE ± 0.25 ± ---		APPROVED BY SMILLER		DATE 2013/11/19	THIS DRAWING CONTAINS INFORMATION THAT IS PROPRIETARY TO MOLEX INCORPORATED AND SHOULD NOT BE USED WITHOUT WRITTEN PERMISSION
0 PLACE ± ±		ANGULAR ±1/2°		MATERIAL NO. SEE TABLE		SIZE C	