

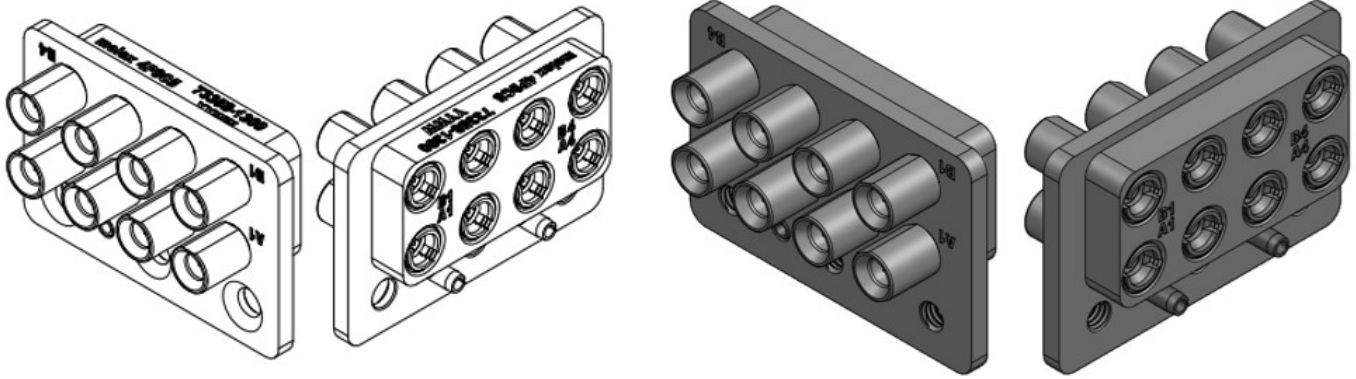


Product Change Notification

| | | | |
|---|---|---------------------|--------|
| Date Issued : | March 21, 2023 | PCN Number : | 513426 |
| Reason for Change : | Equipment Transfer, Production Transfer or Rearrangement | | |
| Description of Change : | This notification is to inform about Production of the impacted part(s) in this PCN will be changed from Molex LLC plant 9101 to Molex Jiangsu plant 2301. No changes will be made to product as part of this change. | | |
| Reason for Short Notice : | Special Request | | |
| Assessment of Change : | First Article Inspection | | |
| Planned Implementation Date : | May 01, 2023 | | |
| Sample Availability Date: | March 31, 2023 | | |
| Internal Molex Qualification Date : | April 07, 2023 | | |
| Last date to request Samples by Customer : | April 21, 2023 | | |
| Traceability Code Markings / Date : | Date code | | |

Before Picture

Impacted picture



After Picture

Overview

- 1.This notification is to inform about Production of the impacted part(s) in this PCN will be changed from Molex LLC plant 9101 to Molex Jiangsu plant 2301. No changes will be made to product as part of this change.
- 2.Product Impact: no impact to fit, form or function and no packaging change
- 3.Part Number Impact: see attached impacted parts list
- 4.Qualification Reports and samples available upon request after the date shown above

RELEASED

You may address inquires regarding this PCN by clicking on the below link
mailto:pcn_coordinator@molex.com?subject=PCN_Notification:513426
or contact your Local Sales Engineer.

Note: While responding, please retain " PCN Notification : **PCN Notification: 513426** " in the e-mail Subject line for faster response.

[Molex, LLC](#)
2222 Wellington Court
Lisle, IL 60532
TEL (800) 786-6539
www.molex.com

PCN No Part List

513426 [0733581300](#)

513426 [0733581420](#)