

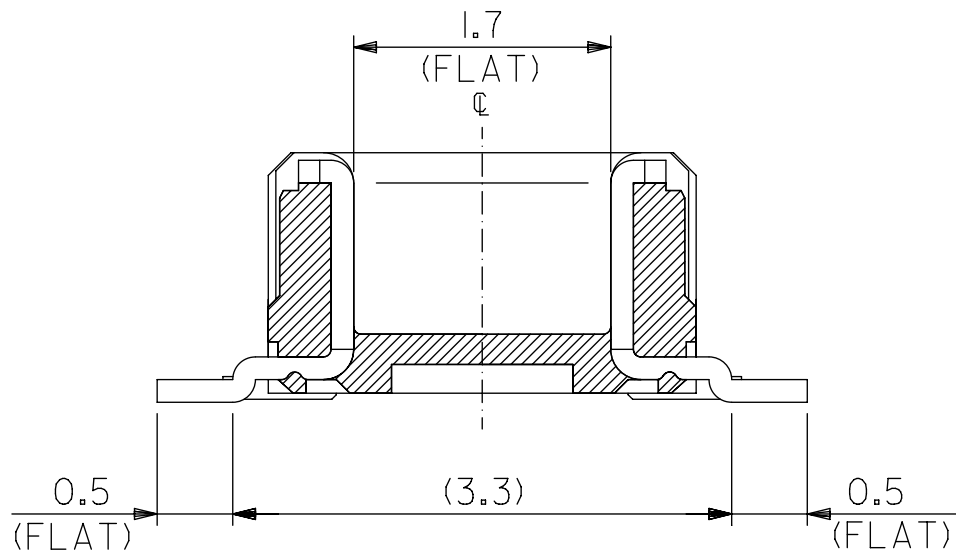
注記 NOTES:

1. 使用材料 MATERIAL
 ハウジング : 液晶ポリマー (LCP), ガラス充填, UL94V-0, 色 : 黒
 HOUSING : LIQUID CRYSTAL POLYMER(LCP), GLASS FILLED, UL94V-0, COLOR: BLACK
 ターミナル : 銅合金 (t=0.15)
 TERMINAL: COPPER ALLOY (t=0.15)
 ネイル : 銅合金 (t=0.15)
 NAIL: COPPER ALLOY (t=0.15)
2. メッキ仕様 PLATING
 ターミナル TERMINAL
 接点部 : 金メッキ 0.25 マイクロメートル以上
 CONTACT AREA: GOLD 0.25 MICROMETER MINIMUM
 半田付け部 : 金メッキ 0.35 マイクロメートル以下
 SOLDER TAIL AREA : GOLD 0.35 MICROMETER MAXIMUM
 下地メッキ : ニッケルメッキ 1.5 マイクロメートル以上
 UNDER PLATING : NICKEL 1.5 MICROMETER MINIMUM
 ネイル NAIL
 錫メッキ 1.0 マイクロメートル以上
 TIN 1.0 MICROMETER MINIMUM
 下地メッキ : ニッケルメッキ 1.0 マイクロメートル以上
 UNDER PLATING : NICKEL 1.0 MICROMETER MINIMUM
3. テール平坦度は、0.08 ミリメートル以下
 テールとネイルを併せた平坦度は、0.1 ミリメートル以下
 TAIL COPLANARITY TO BE 0.08 MAXIMUM.
 TAILS AND NAILS COPLANARITY TO BE 0.1 MAXIMUM.
4. 嵌合相手: 54363シリーズ (嵌合高さ=2.0mm)
 MATE WITH: 54363 SERIES (HEIGHT =2.0mm)
5. 本製品は55650-***8 の鉛フリー品である
 THIS PRODUCT IS LEAD FREE OF 55650-***8

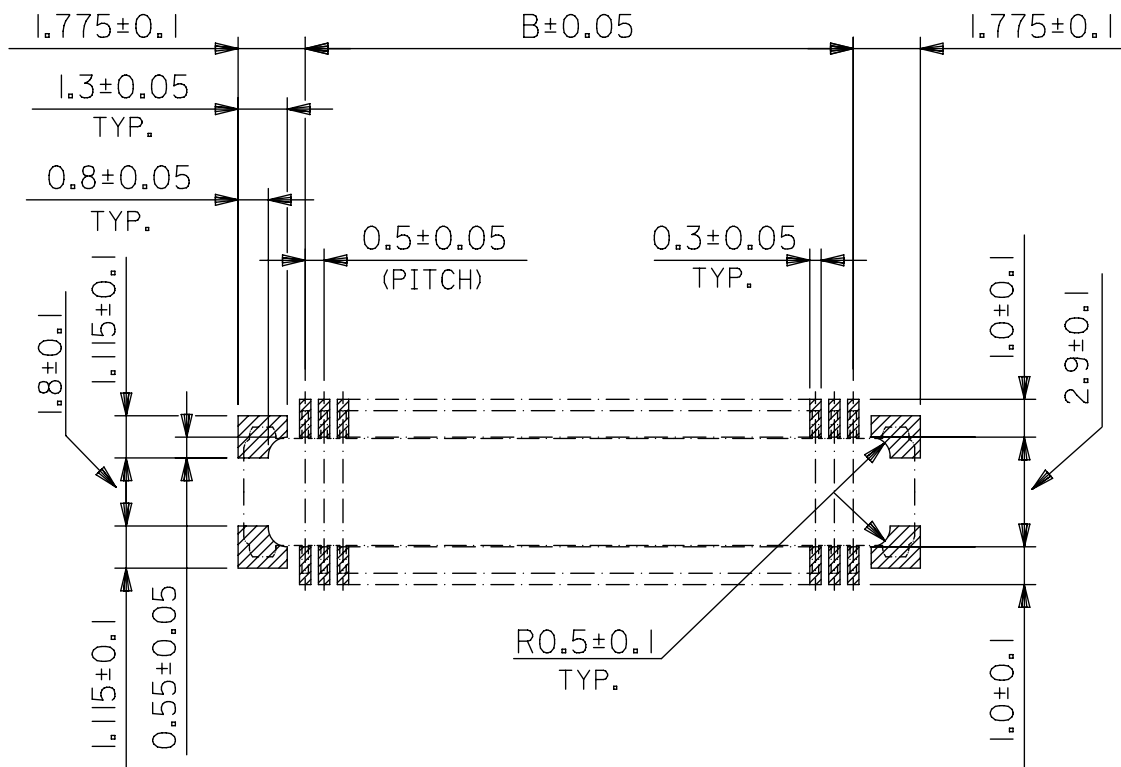
4	18.05	17.0	20.25	55650-0788	70
8	15.55	14.5	17.75	55650-0688	60
12	13.05	12.0	15.25	55650-0588	50
20	10.55	9.5	12.75	55650-0488	40
30	8.05	7.0	10.25	55650-0388	30
20	5.55	4.5	7.75	55650-0288	20
ロック数 LOCKS	C	B	A	EMBOSSED PACKAGE	極数 CIRCUIT
				オーダー番号 ORDER No.	

CONNECTOR SERIES No. 55650-**81

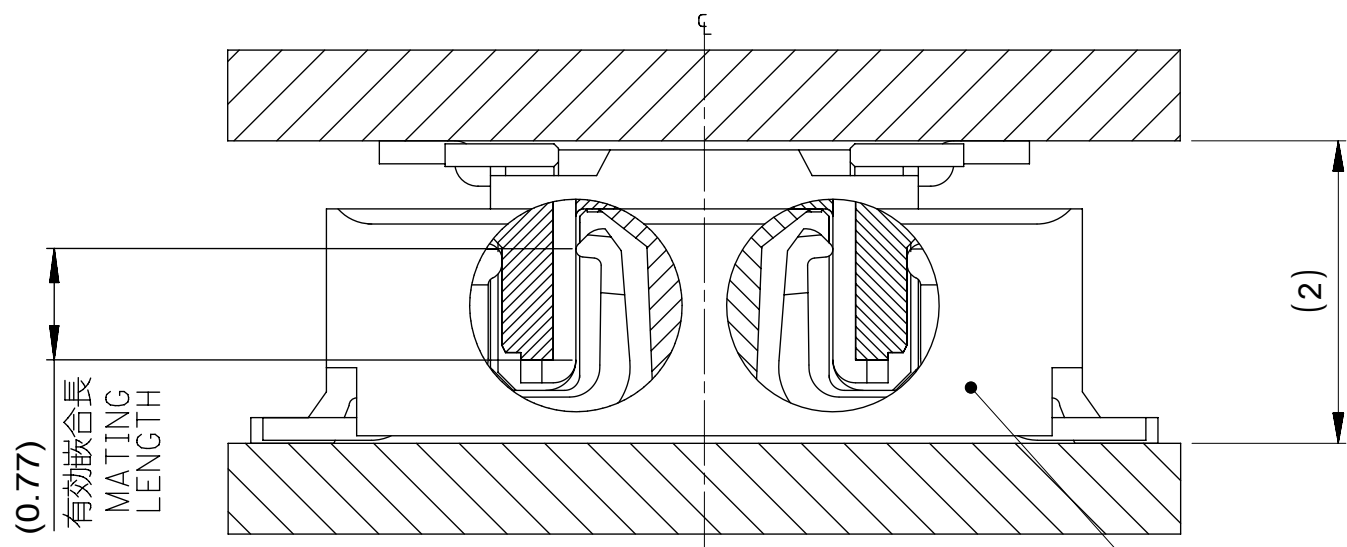
THIS DRAWING CONTAINS INFORMATION THAT IS PROPRIETARY TO MOLEX ELECTRONIC TECHNOLOGIES, LLC AND SHOULD NOT BE USED WITHOUT WRITTEN PERMISSION		CURRENT REV DESC: REVISED		molex	
DIMENSION UNITS MM	SCALE ---	GENERAL TOLERANCES (UNLESS SPECIFIED)			
GENERAL TOLERANCES (UNLESS SPECIFIED)		ANGULAR TOL ± 30°		EC NO: 642297	
10 ^{UNDER} ±0.2		4 PLACES ± 0.2		DRWN: SUDAYGUNAGI 2020/09/10	
10 ^{OVER} 30 ^{UNDER} ±0.25		3 PLACES ± 0.25		CHK'D: HSHIMUYAMA 2020/11/30	
30 ^{OVER} ±0.3		2 PLACES ± 0.3		APPR: SHOSHIKAWA 2020/11/30	
ANGULAR±3°		1 PLACE ±		INITIAL REVISION:	
DRAFT WHERE APPLICABLE MUST REMAIN WITHIN DIMENSIONS		DRAFT WHERE APPLICABLE MUST REMAIN WITHIN DIMENSIONS		DRWN: M. NAGATA 2004/03/09	
		THIRD ANGLE PROJECTION		APPR: M. SASAO 2004/03/09	
DRAWING A3-SIZE		SERIES 55650		DOCUMENT NUMBER SD-55650-013	
MATERIAL NUMBER SEE TABLE		CUSTOMER GENERAL		DOC TYPE DOC PART REVISION PSD 001 C	
SHEET NUMBER 1 OF 2					



製品断面図 (半田付け部 吸着面寸法)
 DETAIL FOR SOLDERING AND VACUUM AREA



推奨基板寸法
 RECOMMENDED PCB PATTERN LAYOUT
 (SCALE 5:1)



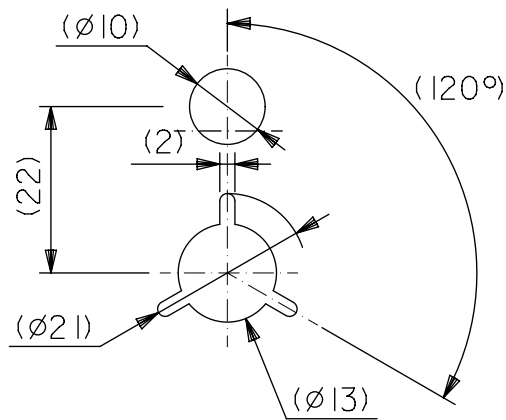
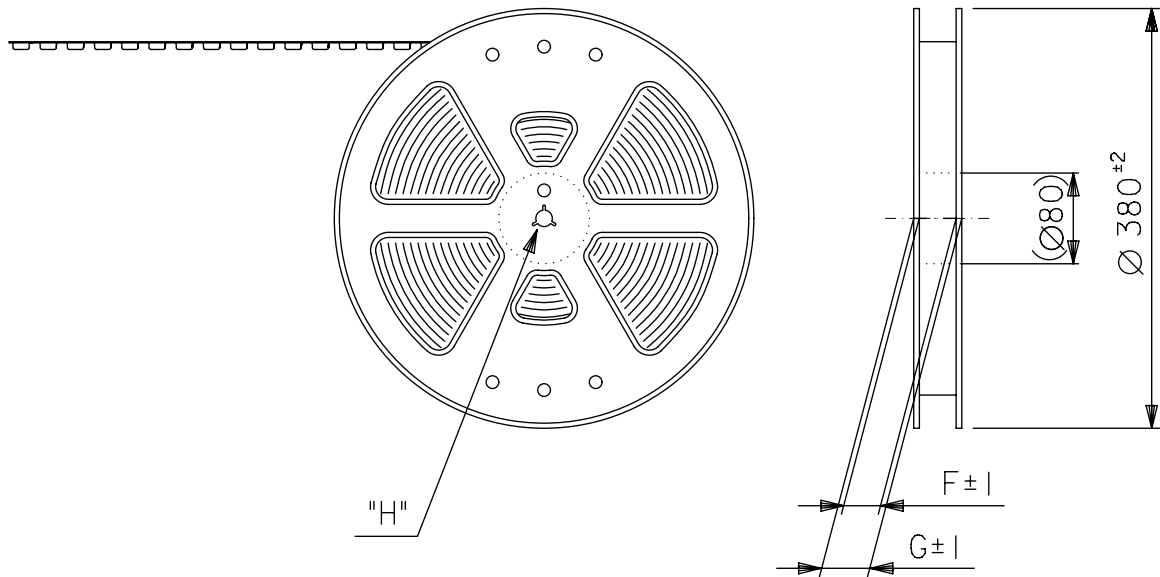
嵌合断面図 (参考)
 MATED DRAWING (REF.)

嵌合相手
 MATE WITH
 54363-**78 (黒 BLACK)
 54363-**89 (黒 BLACK)

THIS DRAWING CONTAINS INFORMATION THAT IS PROPRIETARY TO MOLEX ELECTRONIC TECHNOLOGIES, LLC AND SHOULD NOT BE USED WITHOUT WRITTEN PERMISSION

DIMENSION UNITS		SCALE	CURRENT REV DESC: REVISED	
MM		---		
GENERAL TOLERANCES (UNLESS SPECIFIED)		ANGULAR TOL ± 30°		
10 ^{UNDER}		±0.2	4 PLACES ± 0.2	
10 ^{OVER} 30 ^{UNDER}		±0.25	3 PLACES ± 0.25	
30 ^{OVER}		±0.3	2 PLACES ± 0.3	
ANGULAR ±3°			1 PLACE ±	
DRAFT WHERE APPLICABLE MUST REMAIN WITHIN DIMENSIONS		DRAFT WHERE APPLICABLE MUST REMAIN WITHIN DIMENSIONS		
THIRD ANGLE PROJECTION		DRAWING		
SERIES		MATERIAL NUMBER		
A3-SIZE		55650		
DOCUMENT NUMBER		CUSTOMER		
SD-55650-013		GENERAL		
DOC TYPE		DOC PART		
PSD		001		
REVISION		C		
SHEET NUMBER		2 OF 2		

引き出し方向
PULL OUT DIRECTION

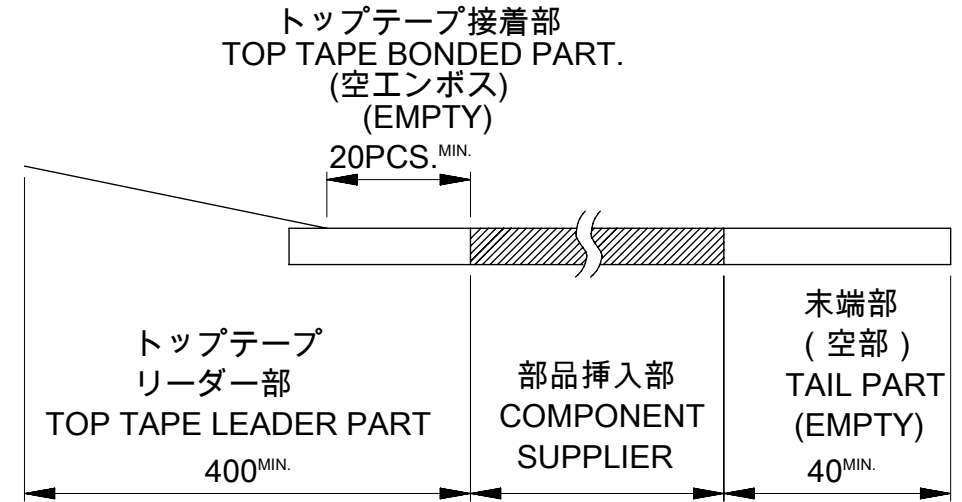


DETAIL "H"

NOTES

- 製品詳細寸法については図面SD-55650-013を参照下さい。
DETAIL DIMENSION, SEE SD-55650-013.
- 梱包数量 : 2500個 / リール
NUMBER OF CONNECTORS : 2500PCS/REEL
- リードテープ長さ
LEAD TAPE LENGTH

引き出し方向
PULL OUT DIRECTION



- カバーテープの剥離強度については、IEC60286-3に準拠
COVER TAPE PEEL FORCE IS DEFINED BY IEC60286-3.

5. 材料

MATERIAL

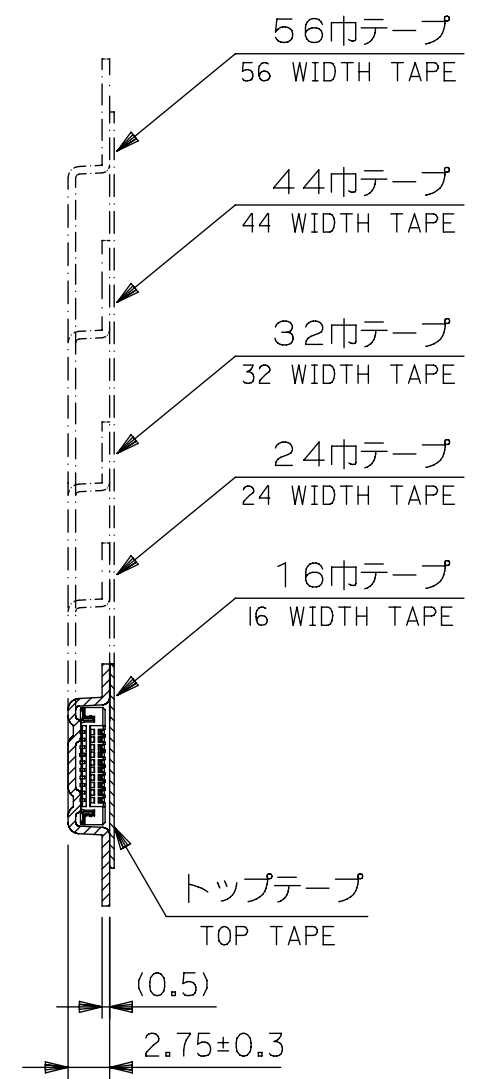
キャリアテープ : ポリプロピレン (PP)
CARRIER TAPE : POLYPROPYLENE (PP)
トップテープ : PET , PE , PEF
TOP TAPE : PET , PE , PEF
リール : ポリスチレン (PS) <リサイクル材を含む>
REEL : POLYSTYREN(PS) <RECYCLE MATERIAL CONTANED>

- 本製品は55650-***8の鉛フリー品である。
THIS PRODUCT IS LEAD FREE OF 55650-***8

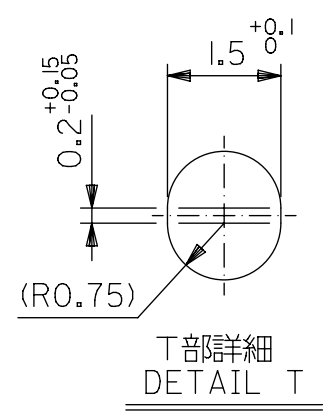
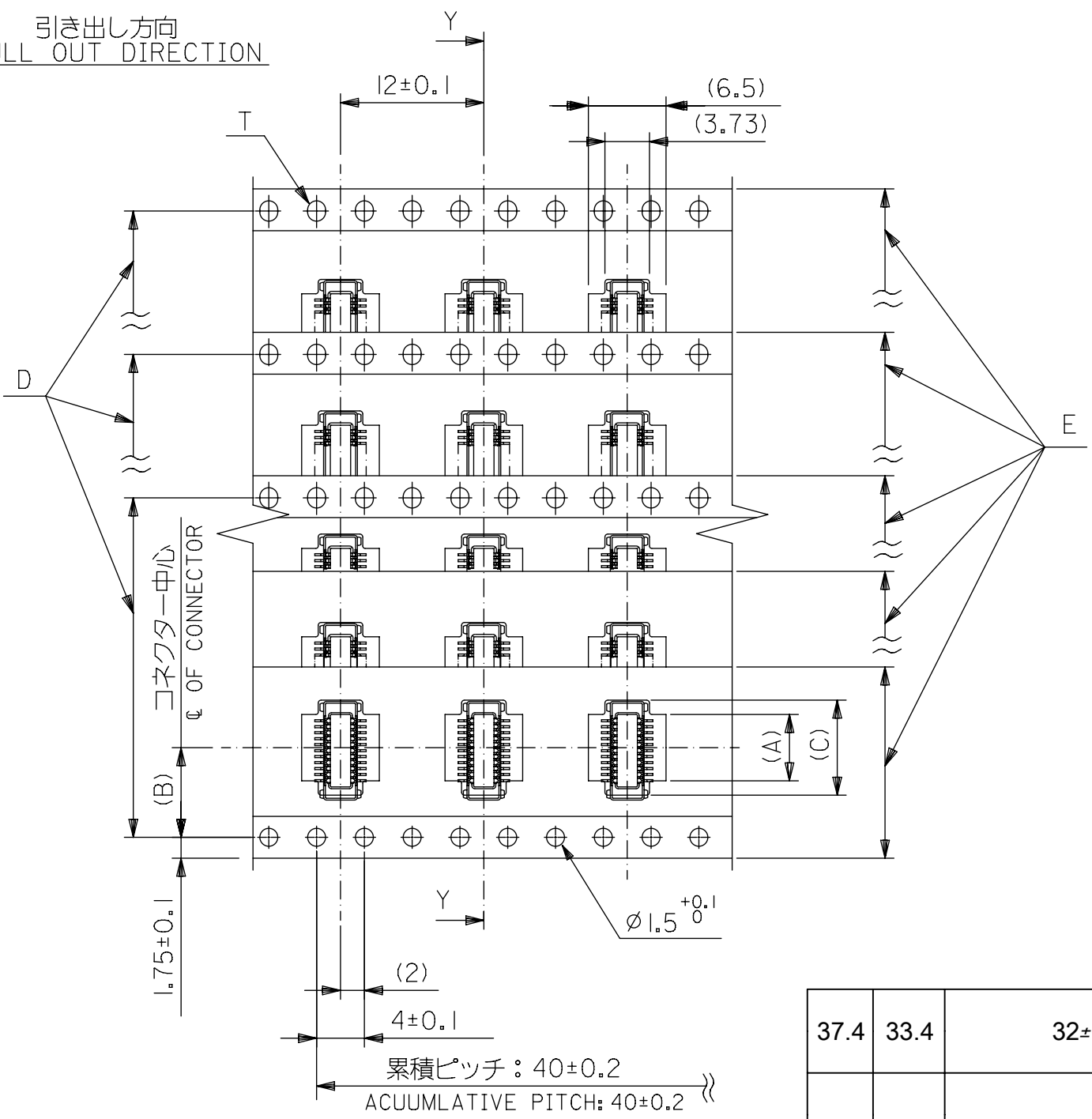
THIS DRAWING CONTAINS INFORMATION THAT IS PROPRIETARY TO MOLEX ELECTRONIC TECHNOLOGIES, LLC AND SHOULD NOT BE USED WITHOUT WRITTEN PERMISSION

DIMENSION UNITS MM	SCALE ---	CURRENT REV DESC: REVISED		molex		
GENERAL TOLERANCES (UNLESS SPECIFIED)		EC NO: 649457				
ANGULAR TOL ± 30°		DRWN: SUDAYGUNAGI 2020/09/11		PRODUCT CUSTOMER DRAWING		
4 PLACES ± 0.2		CHK'D: HSHIMOYAMA 2020/12/02		DOCUMENT NUMBER		
3 PLACES ± 0.25		APPR: SHOSHIKAWA 2020/12/02		SD-55650-014		
2 PLACES ± 0.3		INITIAL REVISION:		DOC TYPE DOC PART REVISION		
1 PLACE ±		DRWN: M. NAGATA 2004/03/09		PSD 001 C		
0 PLACES ±		APPR: M. SASAO 2004/03/09		SHEET NUMBER		
DRAFT WHERE APPLICABLE MUST REMAIN WITHIN DIMENSIONS		THIRD ANGLE PROJECTION		MATERIAL NUMBER CUSTOMER		
		DRAWING SERIES		SEE SHEET 2 GENERAL 1 OF 2		
		A3-SIZE 55650				

引き出し方向
PULL OUT DIRECTION



断面 Y-Y
SECTION Y-Y



37.4	33.4	32±0.3	28.4	20.45	14.2	18.05	55650-0788	70
				17.95		15.55	55650-0688	60
29.4	25.4	24±0.3	-	15.45	11.5	13.05	55650-0588	50
				12.95		10.55	55650-0488	40
				10.45		8.05	55650-0388	30
21.4	17.4	16±0.3		7.95	7.5	5.55	55650-0288	20
G	F	E キャリアテープ幅 CARRIER TAPE WIDTH	D	(C)	(B)	(A)	EMBOSSED TAPE PACKAGE オーダー番号 ORDER No.	極数 CIRCUITS

THIS DRAWING CONTAINS INFORMATION THAT IS PROPRIETARY TO MOLEX ELECTRONIC TECHNOLOGIES, LLC AND SHOULD NOT BE USED WITHOUT WRITTEN PERMISSION

DIMENSION UNITS MM		SCALE ---		CURRENT REV DESC: REVISED		molex	
GENERAL TOLERANCES (UNLESS SPECIFIED)		ANGULAR TOL ± 30°		EC NO: 649457			
10 ^{UNDER} ±0.2		4 PLACES ± 0.2		DRWN: SUDAYGUNAGI 2020/09/11		0.5 MM PITCH B-TO-B CONN. HEIGHT = 2 PLUG EMBOSS TAPE PACKAGE	
10 ^{OVER} 30 ^{UNDER} ±0.25		3 PLACES ± 0.25		CHK'D: HSHIMUYAMA 2020/12/02		PRODUCT CUSTOMER DRAWING	
30 ^{OVER} ±0.3		2 PLACES ± 0.3		APPR: SHOSHIKAWA 2020/12/02		DOCUMENT NUMBER	
ANGULAR±3°		1 PLACE ±		INITIAL REVISION:		SD-55650-014	
DRAFT WHERE APPLICABLE MUST REMAIN WITHIN DIMENSIONS		0 PLACES ±		DRWN: M. NAGATA 2004/03/09		DOC TYPE DOC PART REVISION	
		DRAFT WHERE APPLICABLE MUST REMAIN WITHIN DIMENSIONS		APPR: M. SASAO 2004/03/09		PSD 001 C	
		THIRD ANGLE PROJECTION		DRAWING		MATERIAL NUMBER	
		DRAWING		SERIES		CUSTOMER	
		A3-SIZE		55650		SEE TABLE GENERAL	
						SHEET NUMBER	
						2 OF 2	