

SPECIFICATION

- Part No. : **PCB.SMAFST.2H.A.HT**
- Product Name : SMA (F) Jack 2 Hole Panel Mount with Solder Post Termination
- Feature : SMA(F) Jack
2 Hole Panel Mount with Solder Post Termination
Frequency Range: 0~12.4GHz
Finish: Gold
Post Length: 2mm
Total Length: 11.52mm
RoHS Compliant



1. Introduction

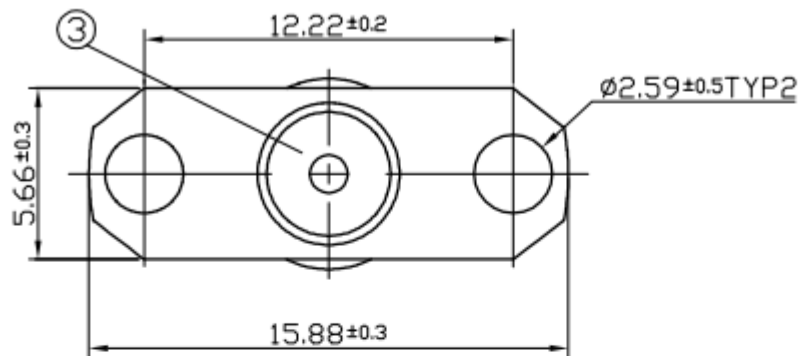
The PCB.SMAFST.2H.A.HT connector was designed to be mounted on a PCB, it has a Solder Post for connection and 2 Mounting holes. The connector pin is directly soldered onto pads on the PCB. The connector is a standard SMA (F) Jack. The SMA connector is the most popular type connector for RF applications. Taoglas connectors are all RoHS compliant.

2. Specification

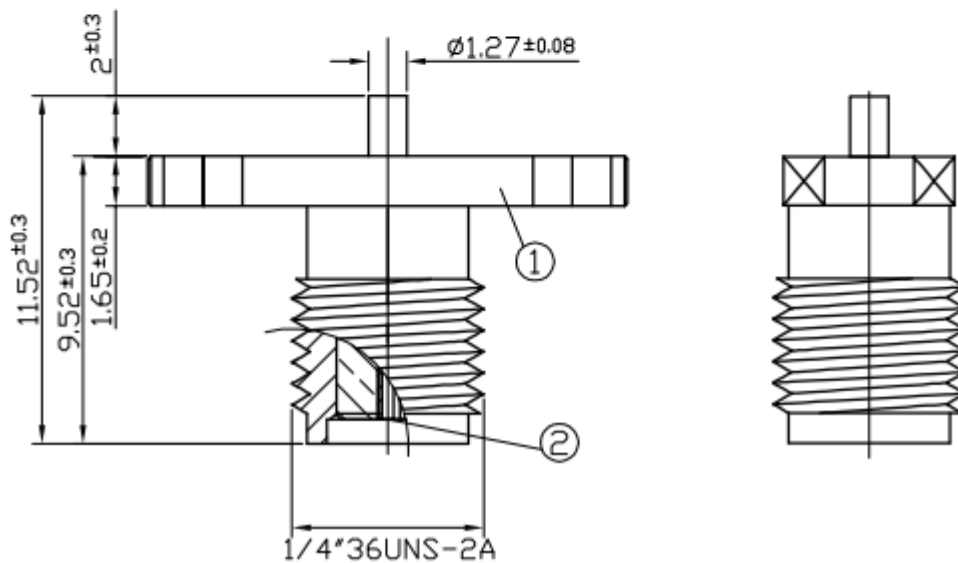
ELECTRICAL	
Impedance	50Ω
Frequency Range	0~12.4 GHz
Working Voltage	Max. 335 Vrms
Dielectric withstanding Voltage	≤1000 Vrms
Insulation Resistance	≥5000M Ω
MECHANICAL	
Connector Dimension	11.52 X 15.88 mm
Connector Pin Diameter	1.27 mm
Connector Pin Height	2 mm
Connector Type	SMA (F)
ENVIRONMENTAL	
RoHS compliant	
Operating Temperature	-40°C to +85°C

3. Connector Drawing

Front View



Side View



	Name	Material	Finish	QTY
1	Body	Brass	Gold	1
2	Female Contact	Phosphor Bronze	Gold	1
3	Insulator	Teflon	White	1

Taoglas makes no warranties based on the accuracy or completeness of the contents of this document and reserves the right to make changes to specifications and product descriptions at any time without notice. Taoglas reserves all rights to this document and the information contained herein. Reproduction, use or disclosure to third parties without express permission is strictly prohibited. Copyright © 2012, Taoglas Ltd.