



## Product /Process Change Notification

PCN Number: PCN-20140074

Create Date: 11/13/2014

Issue By: JAYDENCHOU

**Customer name:** ALL Customer

**1. Change Type:** Substitution of product: LTPL-M025 series replaced by LTPL-M045 series

**2.Parts Affected or Product Description:** LTPL-M025 series

**3. Description and Extent of Change:** LTPL-M025 series will be replaced by LTPL-M045 series

**4.Reasona of Change:** 1. Improve product performance. 2. Share with popular eco-system solutions.

**5.Effective Date of Change:** 2014 Nov. 30

**6. Availability of Sample and Datasheet:** 2014 Nov. 21

### Customer Approval Portion :

\* Approved ( \_\_\_\_\_ ) ,

Remark : \_\_\_\_\_

\* Rejected ( \_\_\_\_\_ ) ,

Reason : \_\_\_\_\_

SIGNATURE :

DATE :

LITE-ON DCC

RELEASE

QLS-OD-FC006/A4

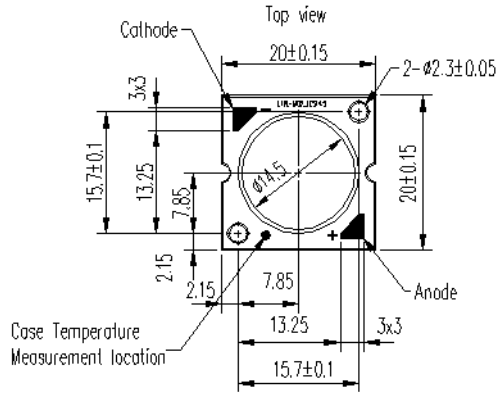
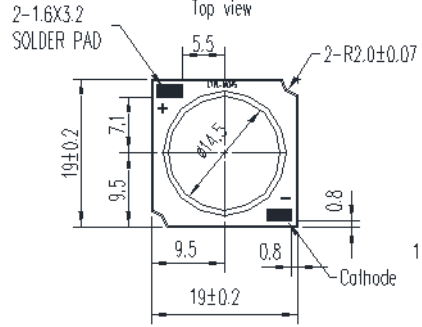
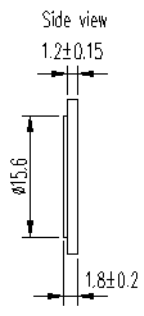
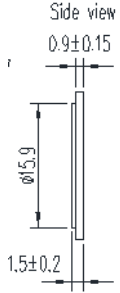
# Product /Process Change Notification

## LTPL-M02 Series Product Change Notification

Effective: November/30<sup>th</sup>, 2014.

### Description:

LITEON would like to announce the product change of LTPL-M025 series (End-Of-Life) to LTPL-M045 series (New Product) on Nov./30<sup>th</sup>, 2014.

	Product to be Changed LTPL-M025 series	Product Transferred to LTPL-M045 series
Top View		
Dimension	20mm x 20mm	19mm x 19mm
Side View		
Height	1.2mm	0.9mm

\* All part number of LTPL-M025 series will be EOL except:

LTPL-M02530SSxx, LTPL-M02520ZS30-SE & LTPL-M02520ZS30-SE

## Product /Process Change Notification

### Last-time Buy Date:

Last order of LTPL-M025 series acceptance to LITEON will be 31<sup>th</sup>/Dec, 2014.

### Last-time Ship Date:

Last shipment of LTPL-M025 series from LITEON ChanZhou factory will be by 31<sup>th</sup>/Jan., 2015. After 31<sup>th</sup>/Jan., Liteon will begin to ship LTPL-M045 only from 31<sup>th</sup> /Jan., 2015.

### Website Information Update Date:

Website information will be updated by 21<sup>th</sup>/Nov., 2014..

### Reason for Change:

1. Improve product performance and cost by both chip & PCB improvement.
2. Change dimension from current size (20mm(W)x20mm(L)x1.5mm(H)) to popular size (19mm(W)x19mm(L)x0.9mm(H)) which could share more lighting eco-system with downstream.

ALED LOB

PM Jayden Chou

[Jayden.Chou@liteon.com](mailto:Jayden.Chou@liteon.com)

Tel: +886-2-22226181 ext: 2573

**LiteOn CoB (Chip on Board) series Product change Notice - Appendix I: Part Number affected & results**

\*All specific Color and Flux demand will be controlled by CSC.

\*\*Part Number in red fronts will not be in the product line-up, only RDR of decent demand (MOQ>3K) will be accepted.

LTPL-M02520 series				LTPL-M04520 series				Product Availability (Date)
Origin Part number	Color Bin	Flux Bin		Combined Part number	Color Bin	Flux Bin		
** 2700K	LTPL-M02520ZS27-T0 LTPL-M02520ZS27-S1	3SDCM 5SDCM,ANSI	+ 8%Lm ±15%Lm	➡	2700K	LTPL-M04520ZS27-T0 3SDCM / 5SDCM / ANSI	-15%~-8% / ± 8%Lm / +8%~+15%	2014.12.30
3000K	LTPL-M02520ZS30-T0 LTPL-M02520ZS30-S1	3SDCM 5SDCM+ANSI	± 8%Lm ±15%Lm	➡	3000K	LTPL-M04520ZS30-T0 3SDCM / 5SDCM / ANSI	-15%~-8% / ± 8%Lm / +8%~+15%	2014.12.30
4000K	LTPL-M02520ZS40-T0 LTPL-M02520ZS40-S1	3SDCM 5SDCM+ANSI	± 8%Lm ±15%Lm	➡	4000K	LTPL-M04520ZS40-T0 3SDCM / 5SDCM / ANSI	-15%~-8% / ± 8%Lm / +8%~+15%	2014.12.30
5000K	LTPL-M02520ZS50-F1 LTPL-M02520ZS50-S1	5SDCM ANSI	±15%Lm ±15%Lm	➡	5000K	LTPL-M04520ZS50-F1 5SDCM / ANSI	-15%~-8% / ± 8%Lm / +8%~+15%	2014.12.30
** 5700K	LTPL-M02520ZS57-F1 LTPL-M02520ZS57-S1	5SDCM ANSI	+15%Lm ±15%Lm	➡	5700K	LTPL-M04520ZS57-F1 5SDCM / ANSI	-15%~-8% / ± 8%Lm / +8%~+15%	2014.12.30

LTPL-M02530 series				LTPL-M04530 series				Product Availability (Date)
Origin Part number	Color Bin	Flux Bin		Combined Part number	Color Bin	Flux Bin		
** 2700K	LTPL-M02530ZS27-T0 LTPL-M02530ZS27-S1	3SDCM 5SDCM,ANSI	+ 8%Lm ±15%Lm	➡	2700K	LTPL-M04530ZS27-T0 3SDCM / 5SDCM / ANSI	-15%~-8% / ± 8%Lm / +8%~+15%	2014.12.30
3000K	LTPL-M02530ZS30-T0 LTPL-M02530ZS30-S1	3SDCM 5SDCM+ANSI	+ 8%Lm ±15%Lm	➡	3000K	LTPL-M04530ZS30-T0 3SDCM / 5SDCM / ANSI	-15%~-8% / ± 8%Lm / +8%~+15%	2014.12.30
4000K	LTPL-M02530ZS40-T0 LTPL-M02530ZS40-S1	3SDCM 5SDCM+ANSI	± 8%Lm ±15%Lm	➡	4000K	LTPL-M04530ZS40-T0 3SDCM / 5SDCM / ANSI	-15%~-8% / ± 8%Lm / +8%~+15%	2014.12.30
5000K	LTPL-M02530ZS50-F1 LTPL-M02530ZS50-S1	5SDCM ANSI	±15%Lm ±15%Lm	➡	5000K	LTPL-M04530ZS50-F1 5SDCM / ANSI	-15%~-8% / ± 8%Lm / +8%~+15%	2014.12.30
** 5700K	LTPL-M02530ZS57-F1 LTPL-M02530ZS57-S1	5SDCM ANSI	+15%Lm ±15%Lm	➡	5700K	LTPL-M04530ZS57-F1 5SDCM / ANSI	-15%~-8% / ± 8%Lm / +8%~+15%	2014.12.30