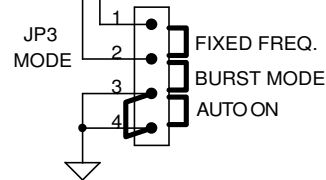
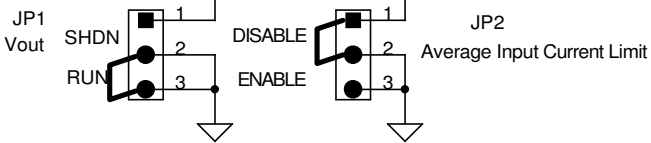
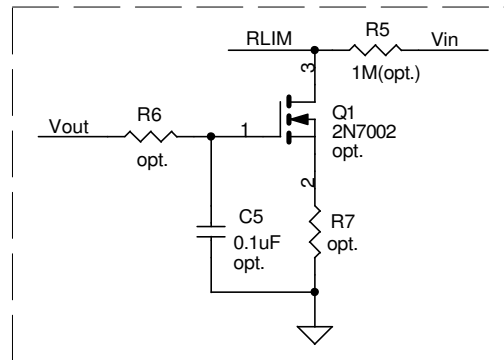


Vin(min)	Iout
2.5V	1.1A
2.7V	1.2A



Optional Current Foldback



CUSTOMER NOTICE

LINEAR TECHNOLOGY HAS MADE A BEST EFFORT TO DESIGN A CIRCUIT THAT MEETS CUSTOMER-SUPPLIED SPECIFICATIONS; HOWEVER, IT REMAINS THE CUSTOMER'S RESPONSIBILITY TO VERIFY PROPER AND RELIABLE OPERATION IN THE ACTUAL APPLICATION. COMPONENT SUBSTITUTION AND PRINTED CIRCUIT BOARD LAYOUT MAY SIGNIFICANTLY AFFECT CIRCUIT PERFORMANCE OR RELIABILITY. CONTACT LINEAR TECHNOLOGY APPLICATIONS ENGINEERING FOR ASSISTANCE.

THIS CIRCUIT IS PROPRIETARY TO LINEAR TECHNOLOGY AND SUPPLIED FOR USE WITH LINEAR TECHNOLOGY PARTS.

CONTRACT NO.	
APPROVALS	DATE
DRAWN June Wu	5/4/04
CHECKED	
APPROVED	
ENGINEER DongYan Zhou	5/4/04
DESIGNER	
Monday, November 08, 2004	



1630 McCarthy Blvd.
Milpitas, CA 95035
Phone: (408)432-1900
Fax: (408)434-0507

TITLE			
LTC3442EDE, High Efficiency Synchronous Buck-Boost Converter with Automatic Burst Mode			
SIZE	CAGE CODE	DWGNO	REV
		DC799A	A
SCALE:	FILENAME:	SHEET 1	OF 1