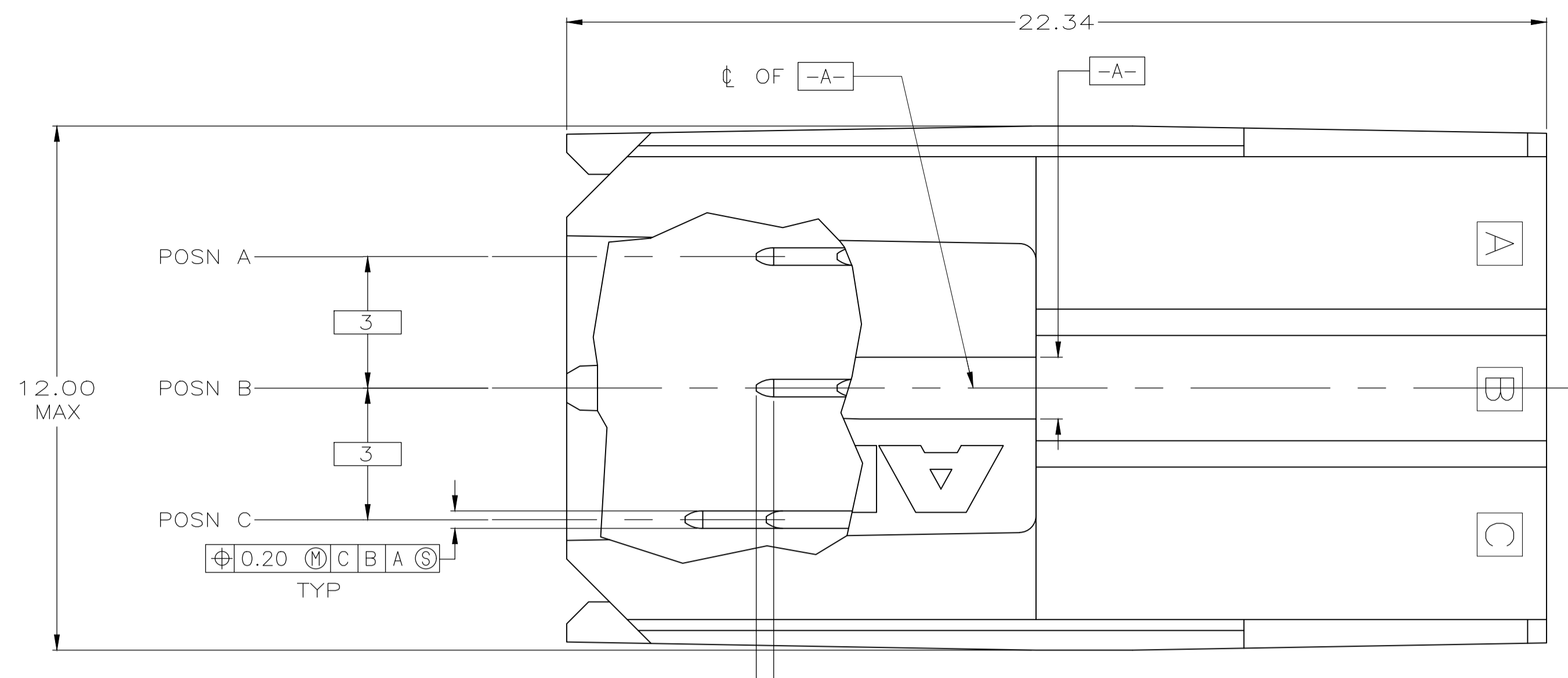
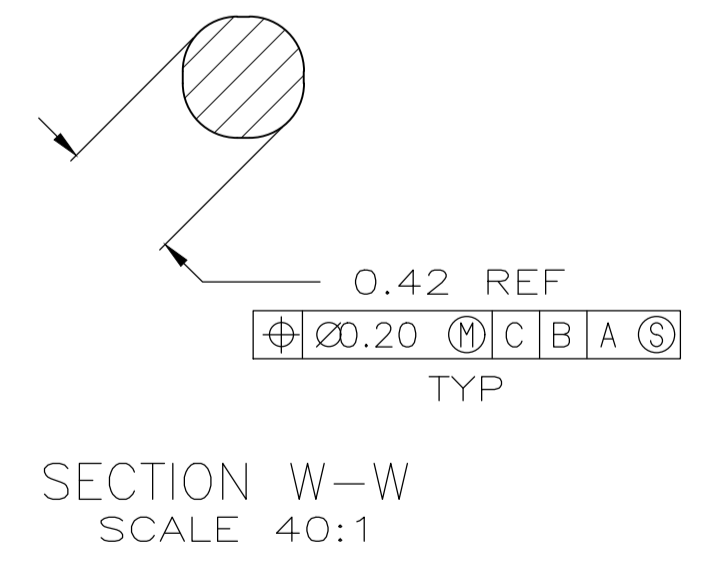
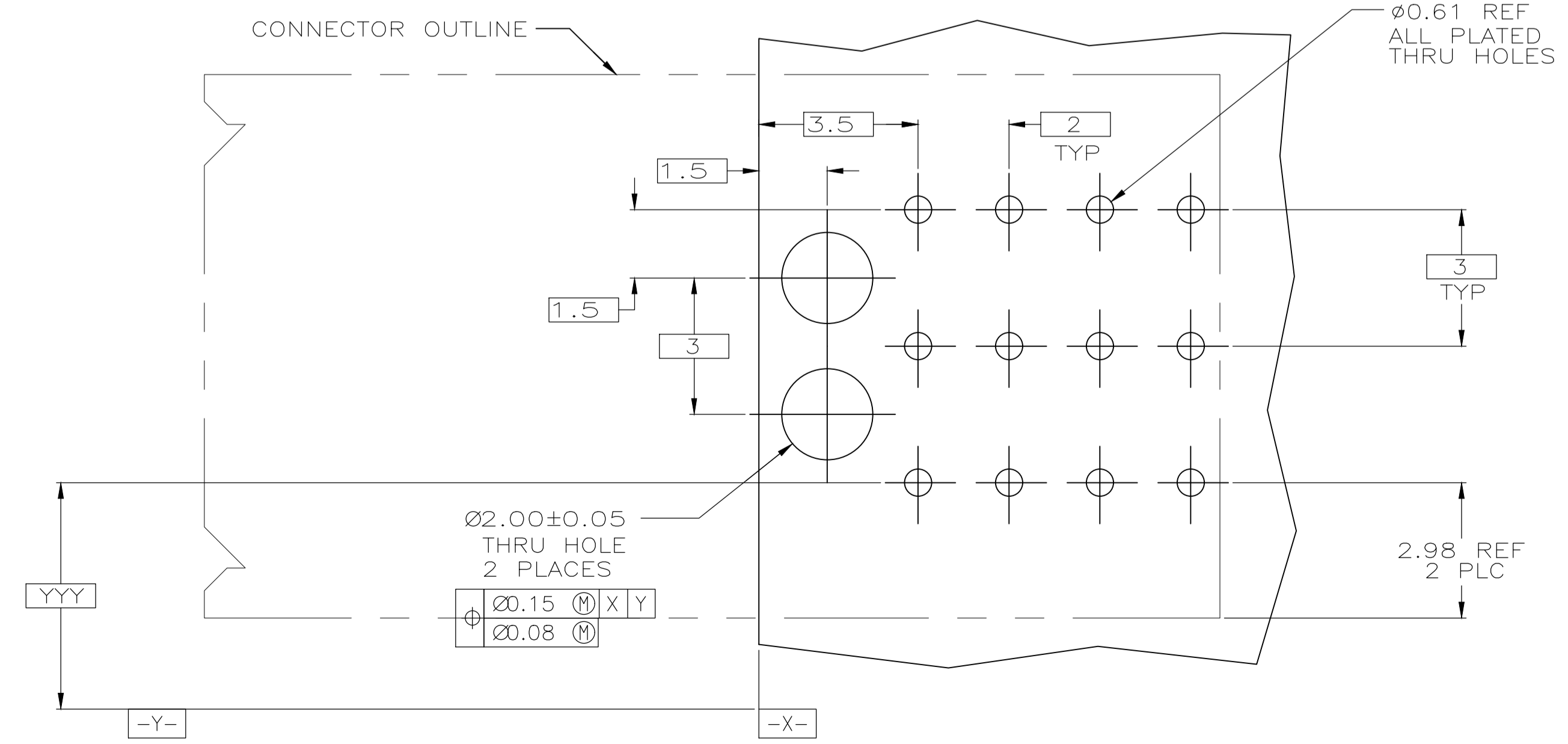
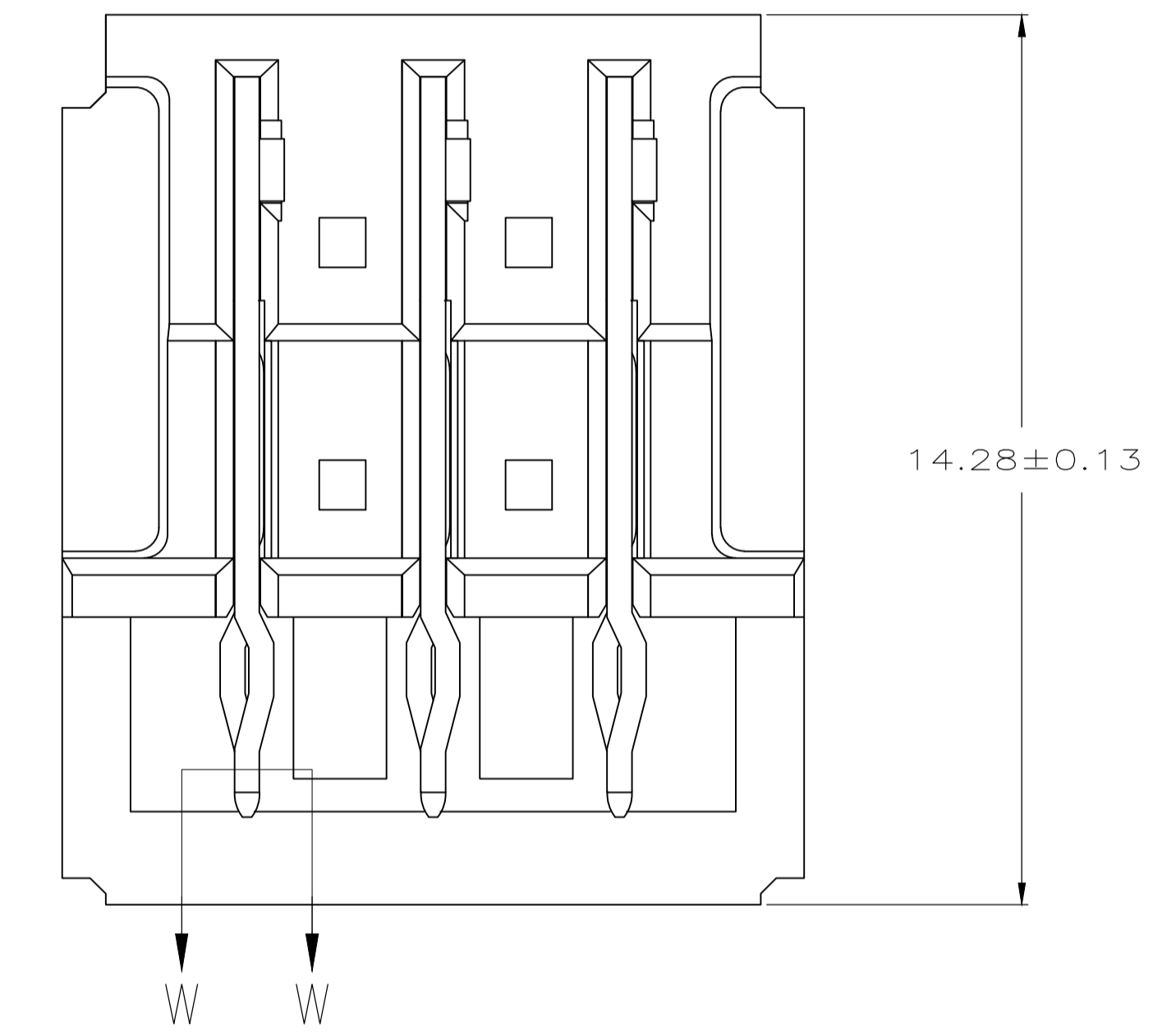
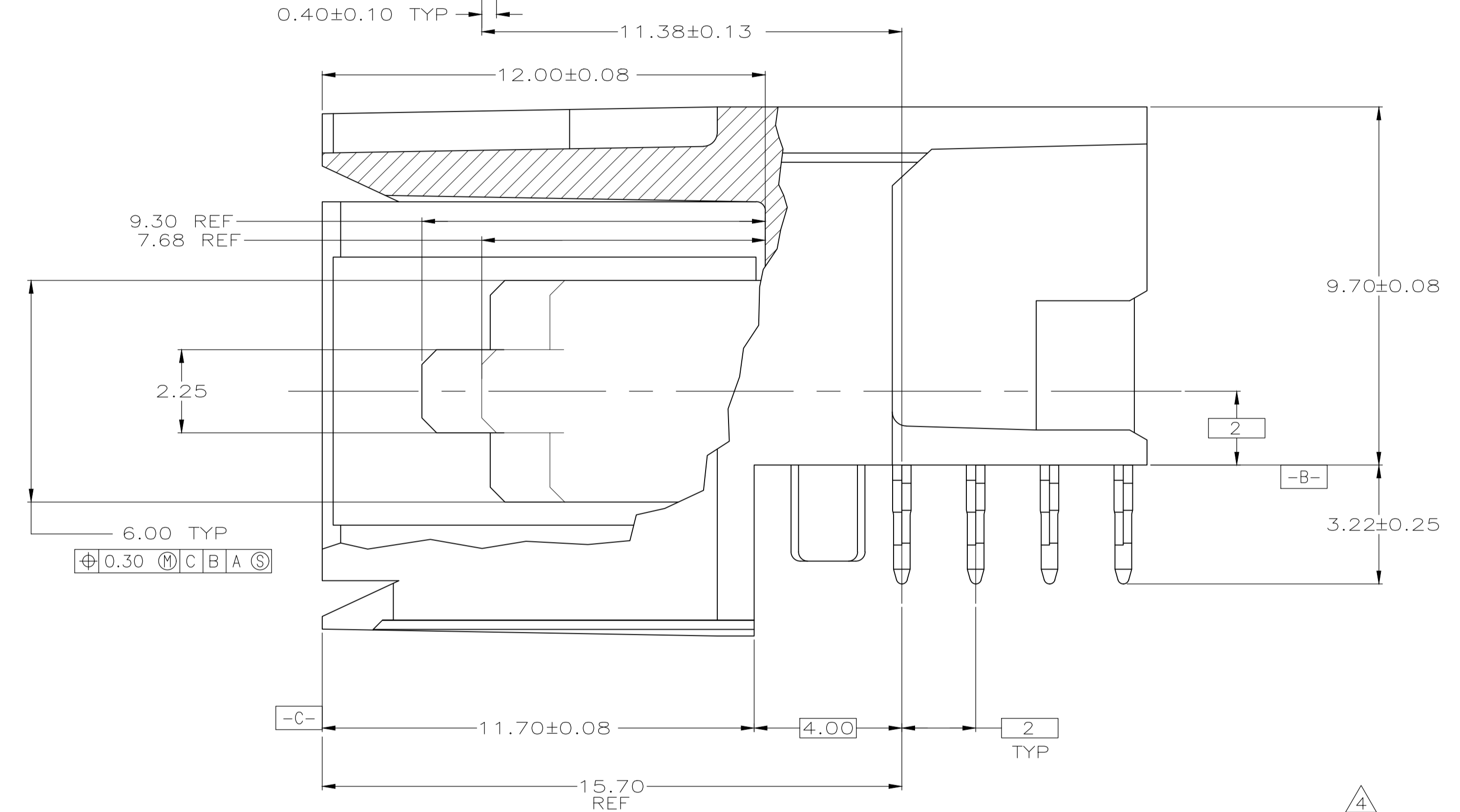
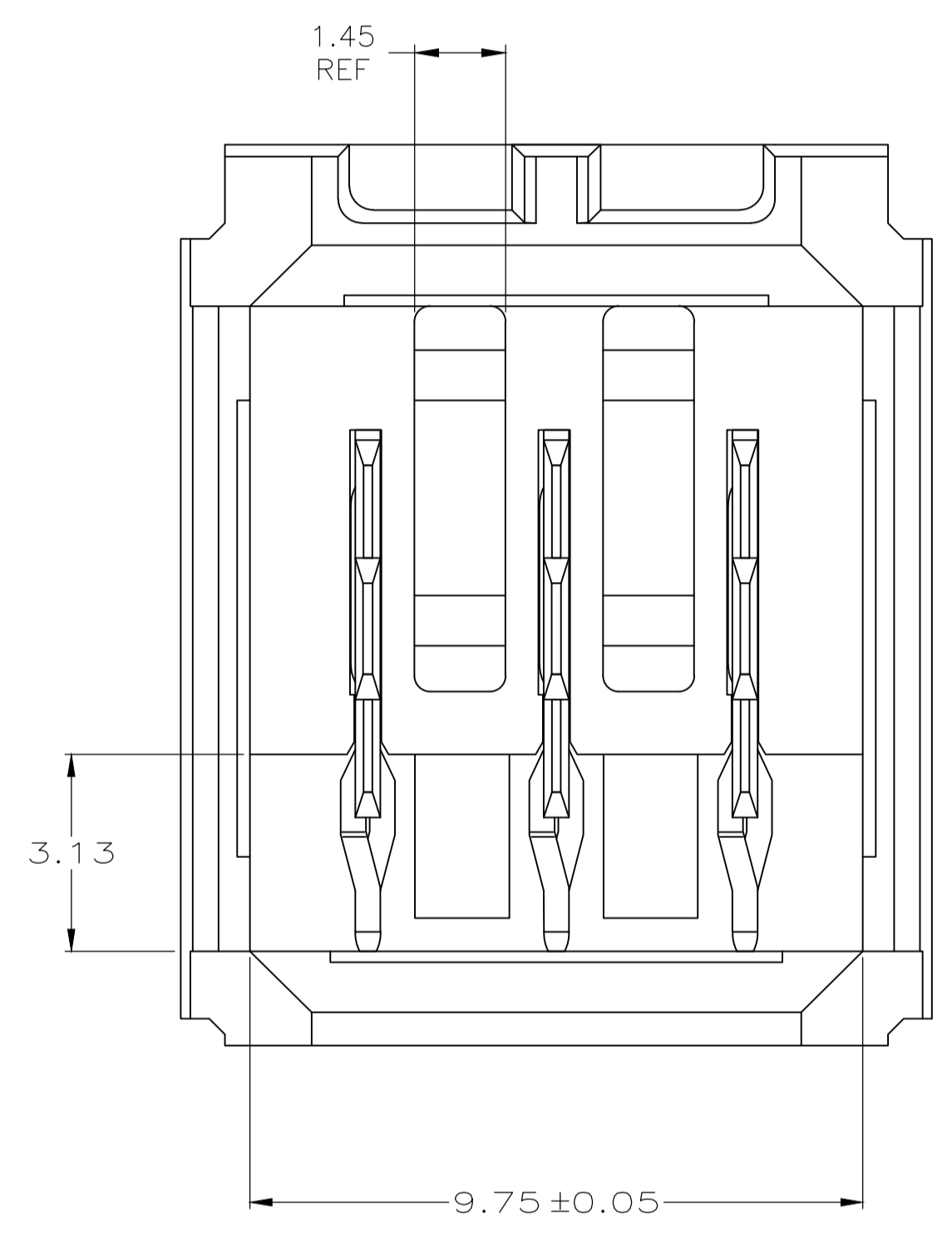


LOC		DIST		REVISIONS			
AD	00	REV	DATE	BY	APPV		
C1		REVISED PER ECO-19-016824	10AUG2020	ML	SZ		



- 1 MATERIAL: HOUSING: POLYESTER. COLOR: GRAY. UL 94V-0. CONTACT: COPPER ALLOY.
- 2 FINISH: IN ACCORDANCE WITH PRODUCT SPECIFICATION 108-1651, GOLD PLATING OR EQUIVALENT PLATING ON PRODUCT CONTACT MATING AREA, AND MATTE TIN PLATING ON COMPLIANT PIN AREA, ALL OVER MATTE NICKEL UNDERPLATED. DETAIL PLEASE REFER TO PRODUCT SPECIFICATION 108-1651
- 3 FINISH: CONTACT LUBRICATION WITH BELLCORE APPROVED LUBRICANT. TECHNICAL REFERENCE: TR-NWT-001217 ISSUE 1, SEPT 1992.
- 4 REFERENCE APPLICATION SPEC 114-1103 FOR RECOMMENDED PLATED THRU HOLE DIAMETER AND PLATING THICKNESS.
- 5 CURRENT RATING 10A/CONTACT PER PRODUCT SPEC 108-1651.



SECTION W-W
SCALE 40:1

RECOMMENDED PCB HOLE LAYOUT

DELETED 5223980-1
PART NUMBER

THIS DRAWING IS A CONTROLLED DOCUMENT.		DIN: B. CARBO 130EC04	Tyco Electronics Corporation Harrisburg, Pa 17105-3608
DIMENSIONS: mm		CHK: R. PATTERSON 130EC04	
TOLERANCES UNLESS OTHERWISE SPECIFIED:		APPV: R. PATTERSON 130EC04	NAME: ASSEMBLY, RIGHT ANGLE HEADER, W/ RETENTION PEGS, UNIVERSAL POWER MODULE
0. PLC ± -	1. PLC ± -	APPLICATION SPEC	SIZE: A1
2. PLC ± 0.13	3. PLC ± -	WEIGHT: -	CAGE CODE: 00779
4. PLC ± -	ANGLES ± -	CUSTOMER DRAWING	DRAWING NO: 5223980
MATERIAL: 1		SCALE: 10:1	
FINISH: 2, 3		SHEET: 1 of 1	
REV: C1		REV: C1	