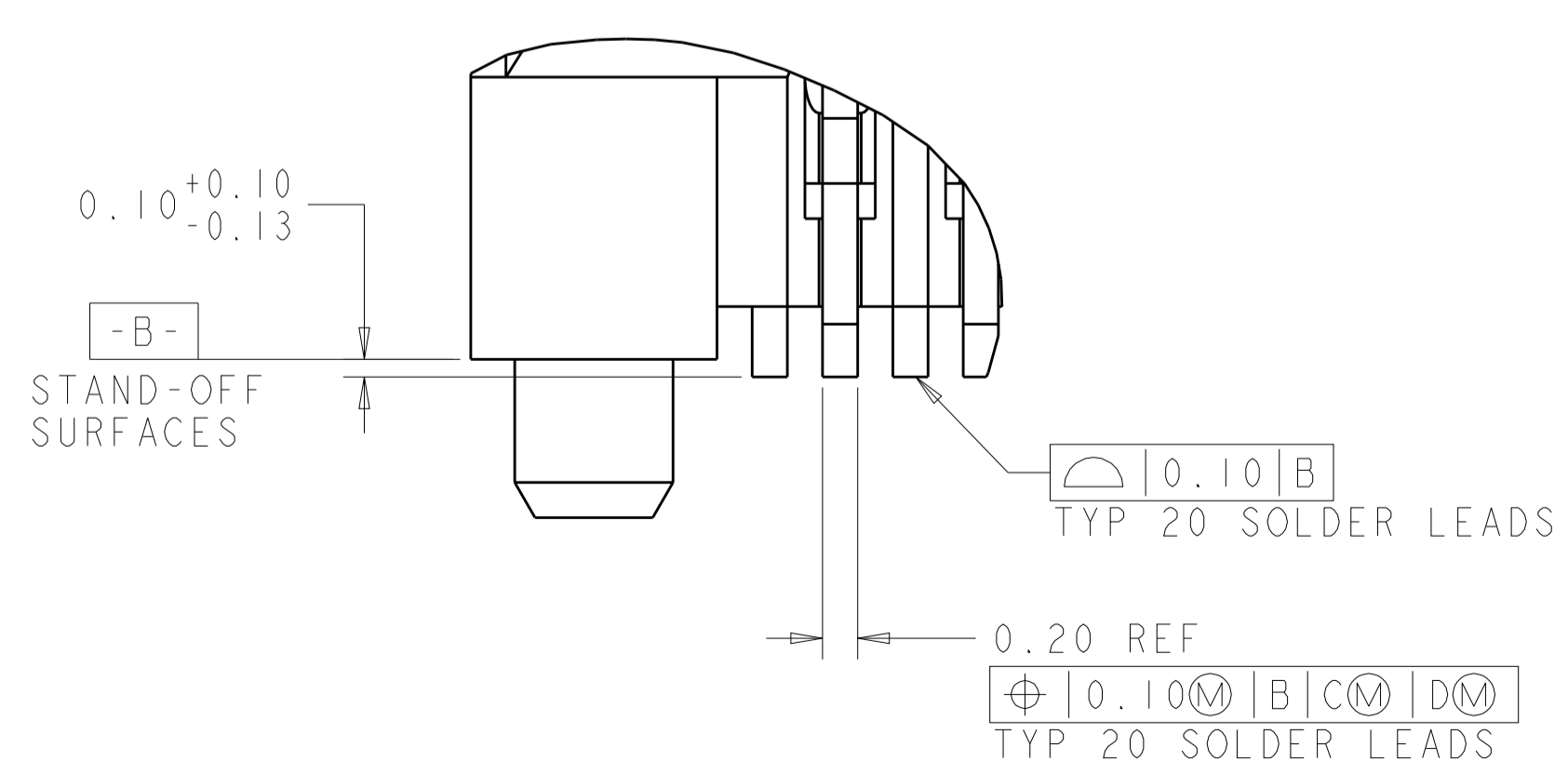
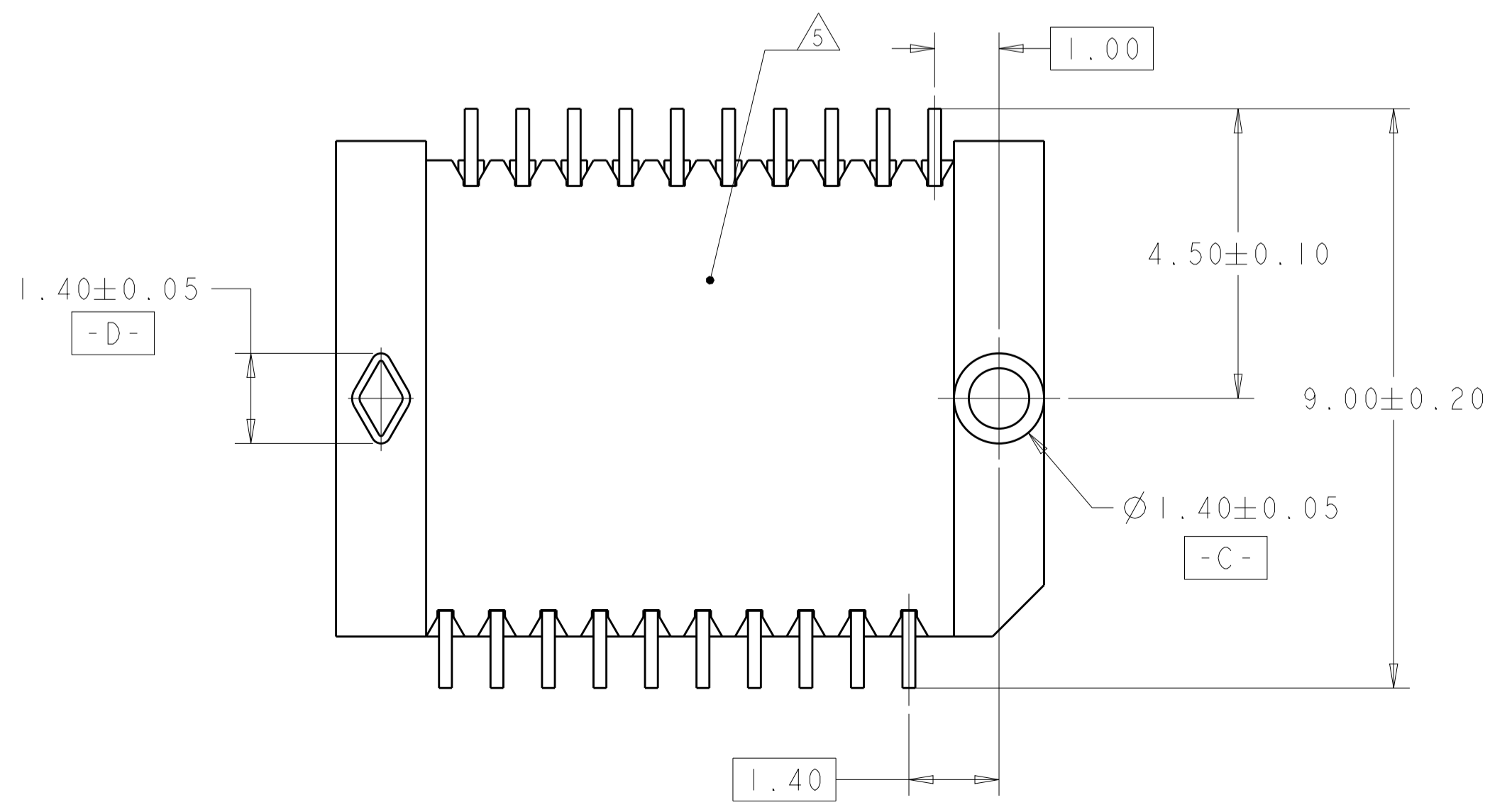
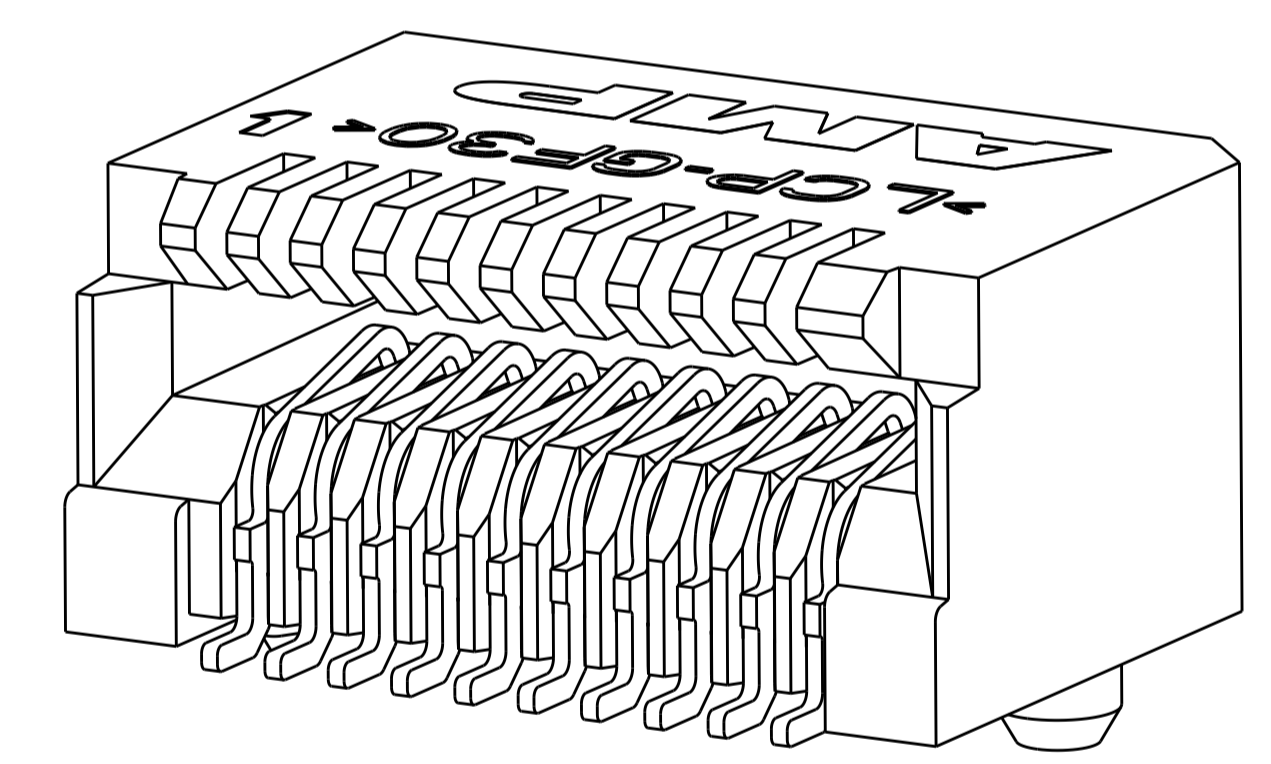
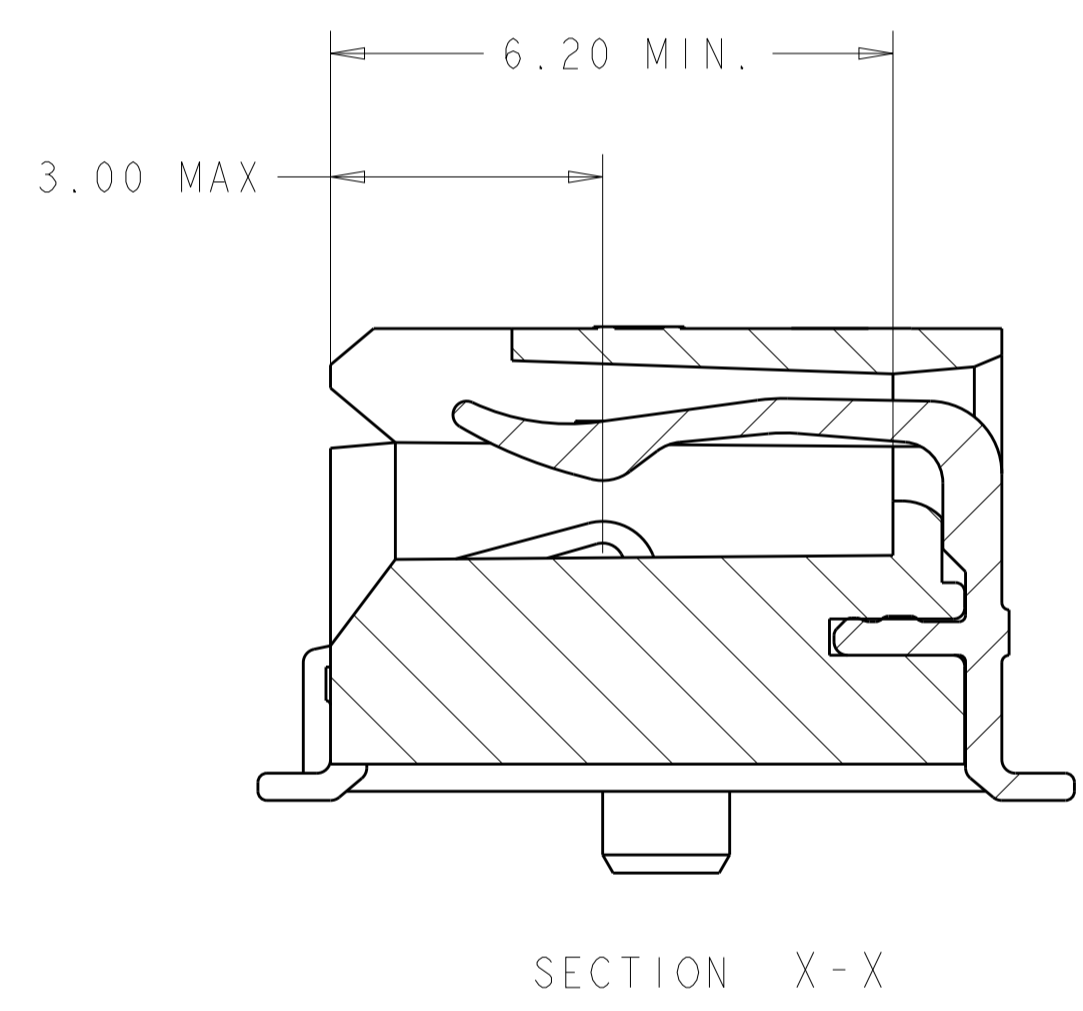
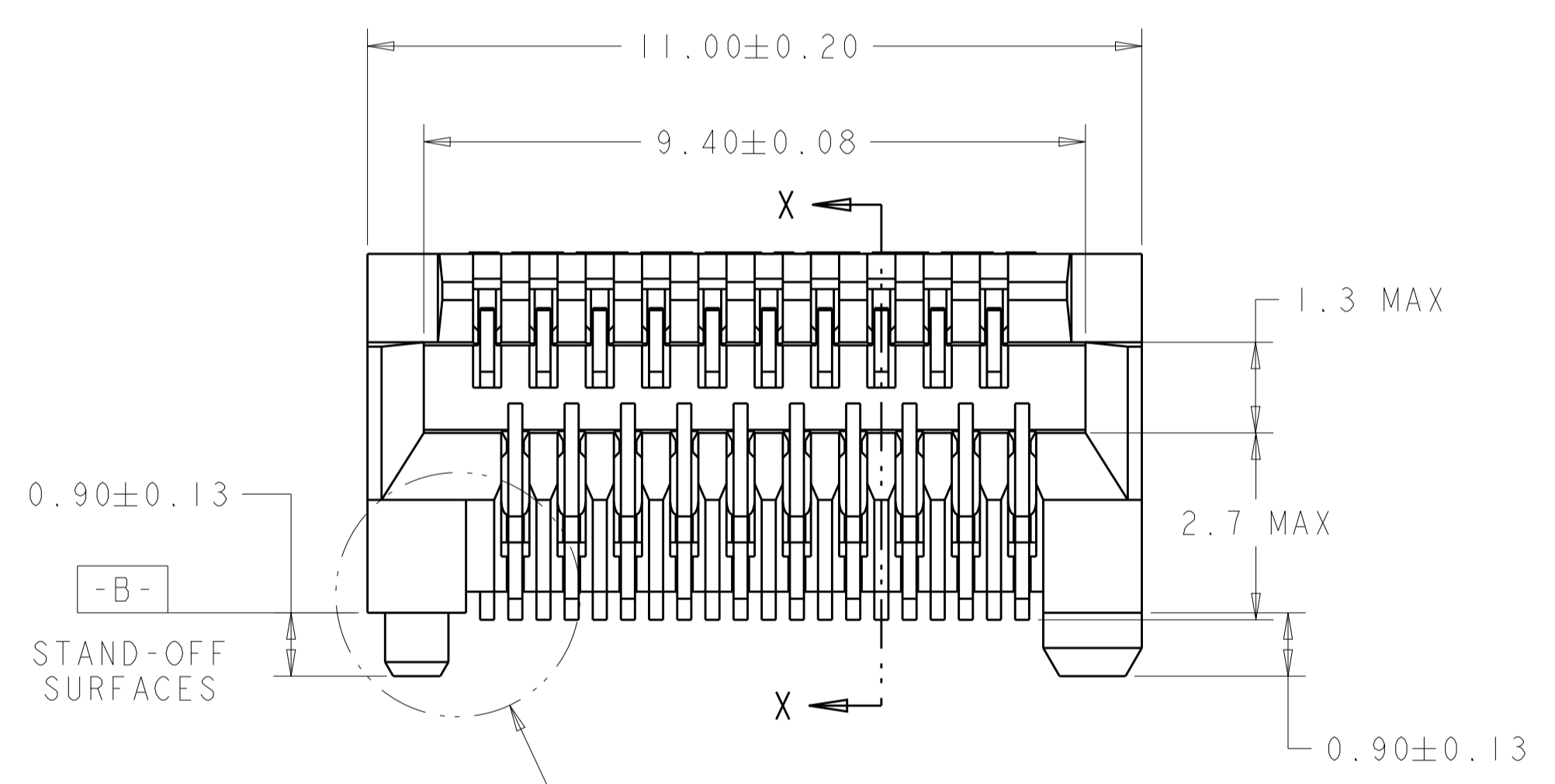
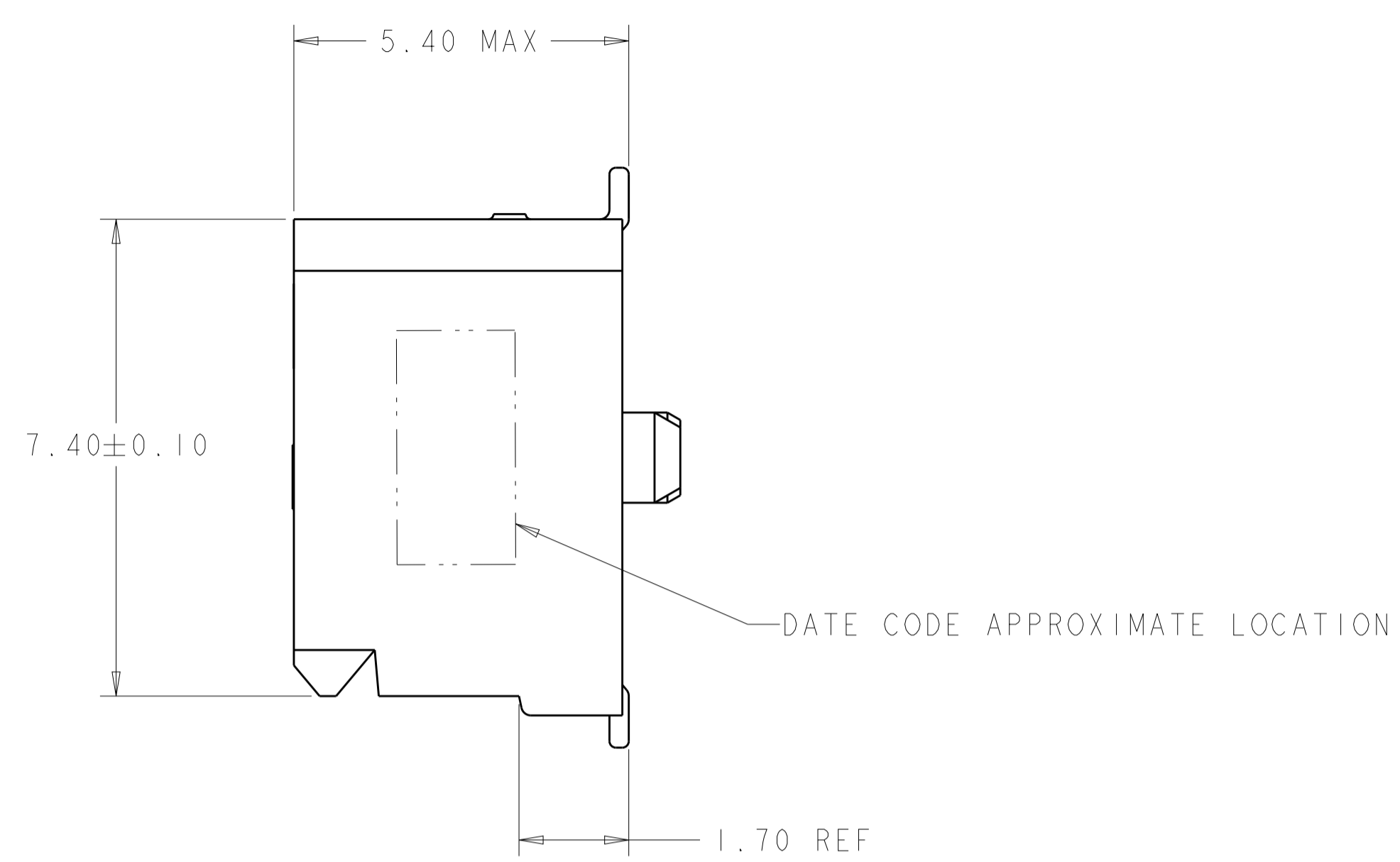
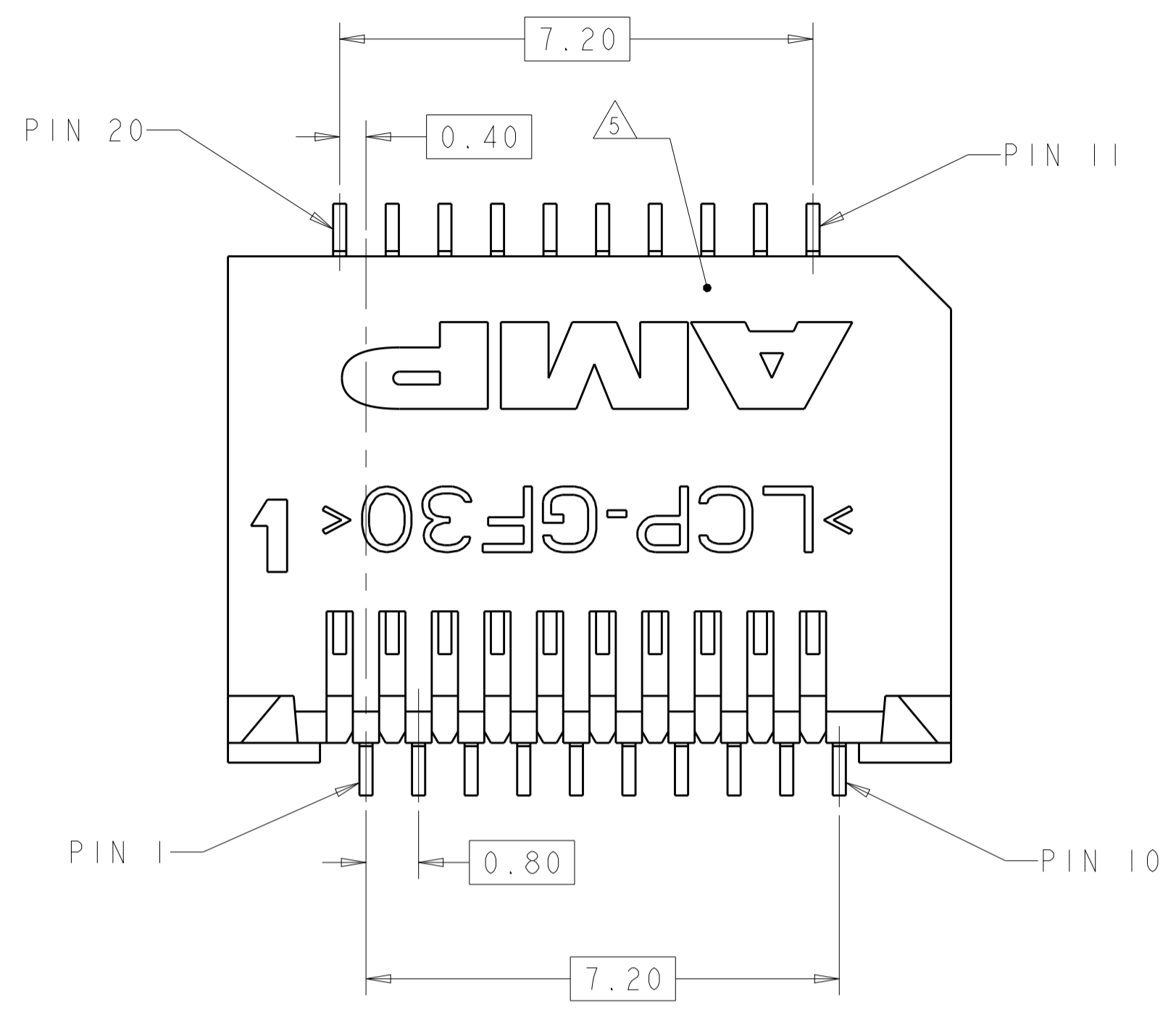


LOC		DIST		REVISONS			
ES	00	P	LTN	DESCRIPTION	DATE	DWN	APVD
		A1		REVISED PER ECO-17-017667	05DEC2017	IT	SH



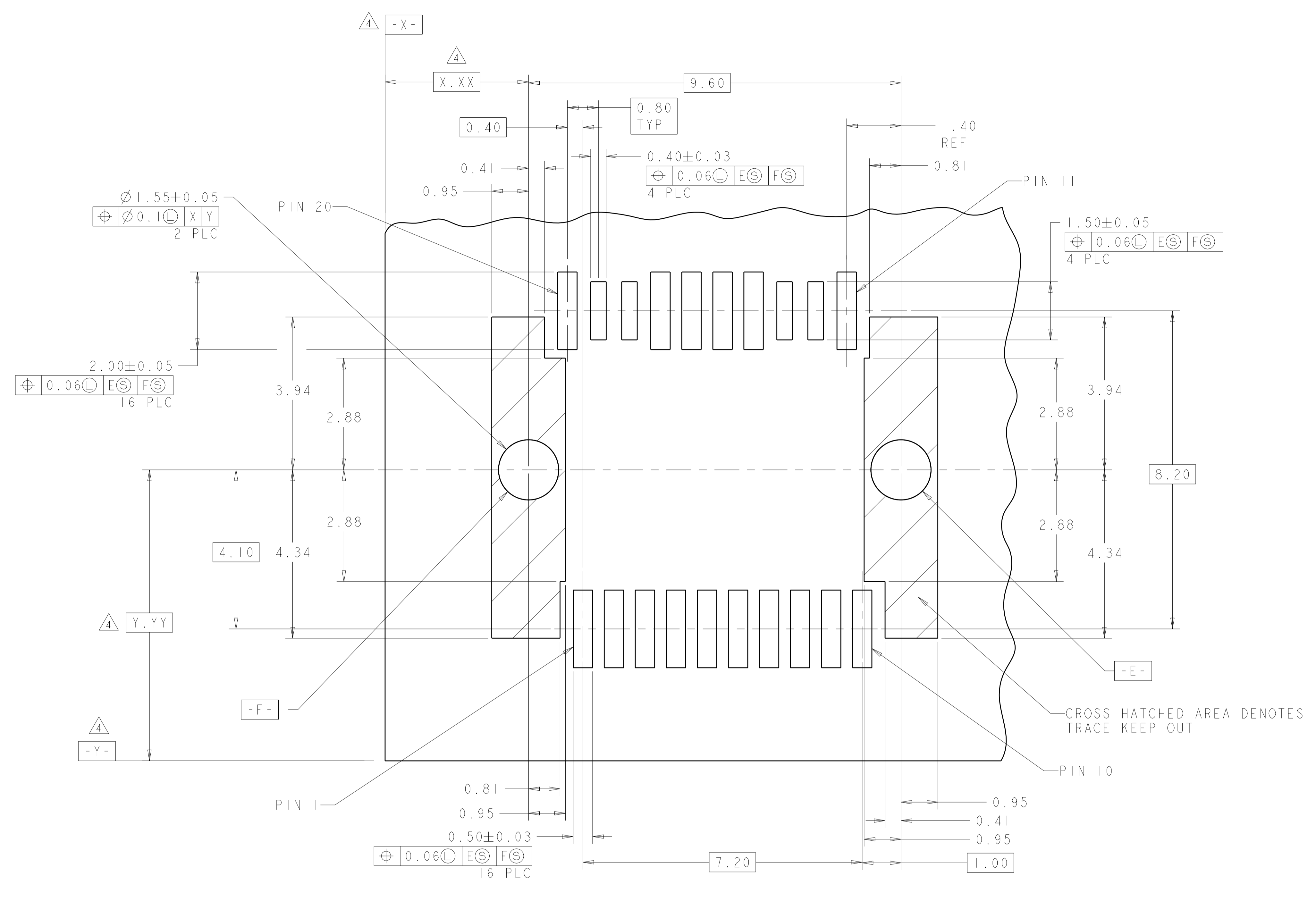
DETAIL H
SCALE 25:1

- 1 MATERIAL:
HOUSING: HIGH TEMPERATURE LCP, UL 94V-0 RATED, BLACK
CONTACTS: PHOSPHOR BRONZE.
- 2 FINISH:
CONTACTS: 0.76 μm MIN GOLD ON CONTACT AREA, 0.13 μm
MIN GOLD ON SOLDER AREA. ALL OVER 1.27 μm MIN NICKEL
UNDERPLATE ON ENTIRE CONTACT. LUBRICANT ON GOLD PLATE
CONTACT AREAS.
- 3. PACKAGED 480 PIECES PER REEL.
- 4 DATUMS AND BASIC DIMENSIONS TO BE ESTABLISHED BY
CUSTOMER; SEE DRAWING 1367034 FOR LAYOUT WHEN USED
WITH 1367034-1 BOTTOM CAGE (STANDARD SFP APPLICATION).
- 5 PULL GROOVES PERMITTED ON THESE SURFACES AT MOLDING
ENGINEERING DISCRETION

YES	△	2170184-2
NO	△	2170184-1
DATE CODE	FINISH	PART NUMBER

THIS DRAWING IS A CONTROLLED DOCUMENT.		DWN: TIM XUE 21NOV2011	TE Connectivity	
DIMENSIONS:		CHK: ALEX CAI 21NOV2011		
TOLERANCES UNLESS OTHERWISE SPECIFIED:		APVD: ALEX CAI 21NOV2011	NAME: PT CONNECTOR ASSEMBLY, 20 POS, RIGHT ANGLE, 0.8mm PITCH, SFP+	
mm	0 PLC ±	PRODUCT SPEC	SIZE: CAGE CODE DRAWING NO	
	1 PLC ±0.10	108-2331	RESTRICTED TO	
	2 PLC ±	APPLICATION SPEC	A100779C=2170184	
	3 PLC ±	114-13120	SCALE 12:1 SHEET 1 OF 3 REV A1	
	4 PLC ±	WEIGHT	CUSTOMER DRAWING	
	ANGLES ±			
MATERIAL	FINISH			

LOC	DIST	REVISIONS					
		P.	LTN	DESCRIPTION	DATE	DMN	APVD
ES	00	-	-	SEE SHEET 1	-	-	-



OPTIONAL LAYOUT FOR IMPROVED
 SIGNAL INTEGRITY, MOUNTING SIDE
 SCALE 16:1

THIS DRAWING IS A CONTROLLED DOCUMENT.		DMN: TIM XUE 21NOV2011	TE Connectivity
DIMENSIONS: mm		CHK: ALEX CAI 21NOV2011	
TOLERANCES UNLESS OTHERWISE SPECIFIED:		APVD: ALEX CAI 21NOV2011	NAME: PT CONNECTOR ASSEMBLY, 20 POS, RIGHT ANGLE, 0.8mm PITCH, SFP+
0 PLC	±	PRODUCT SPEC	SIZE: CAGE CODE DRAWING NO
1 PLC	±0.10	108-2331	RESTRICTED TO
2 PLC	±	APPLICATION SPEC	A100779C=2170184
3 PLC	±	114-13120	SCALE: 12:1 SHEET 3 OF 3 REV: A1
4 PLC	±	WEIGHT	CUSTOMER DRAWING
ANGLES	±		
FINISH			