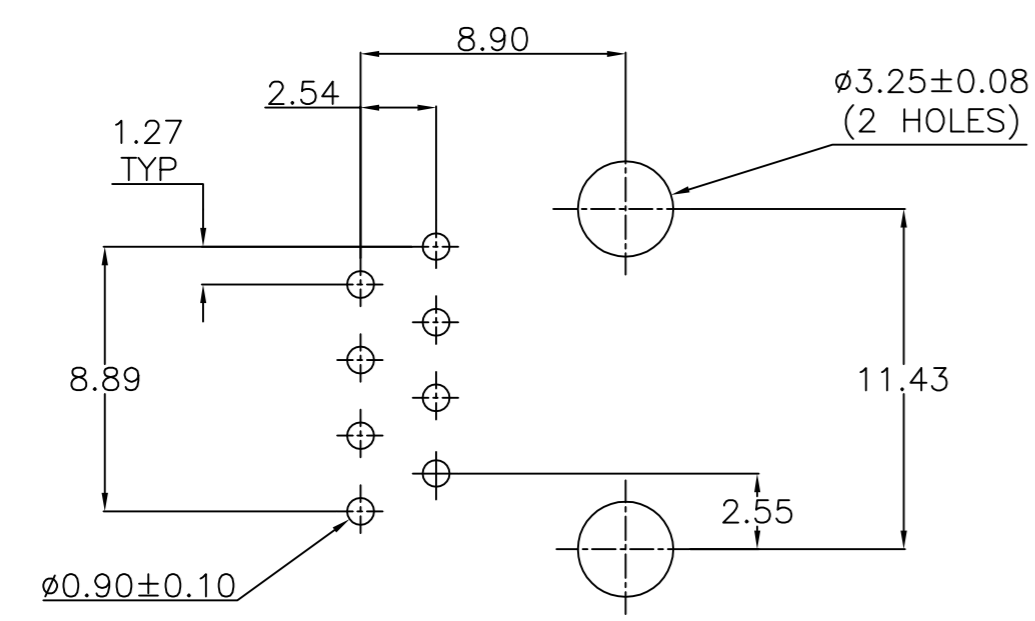
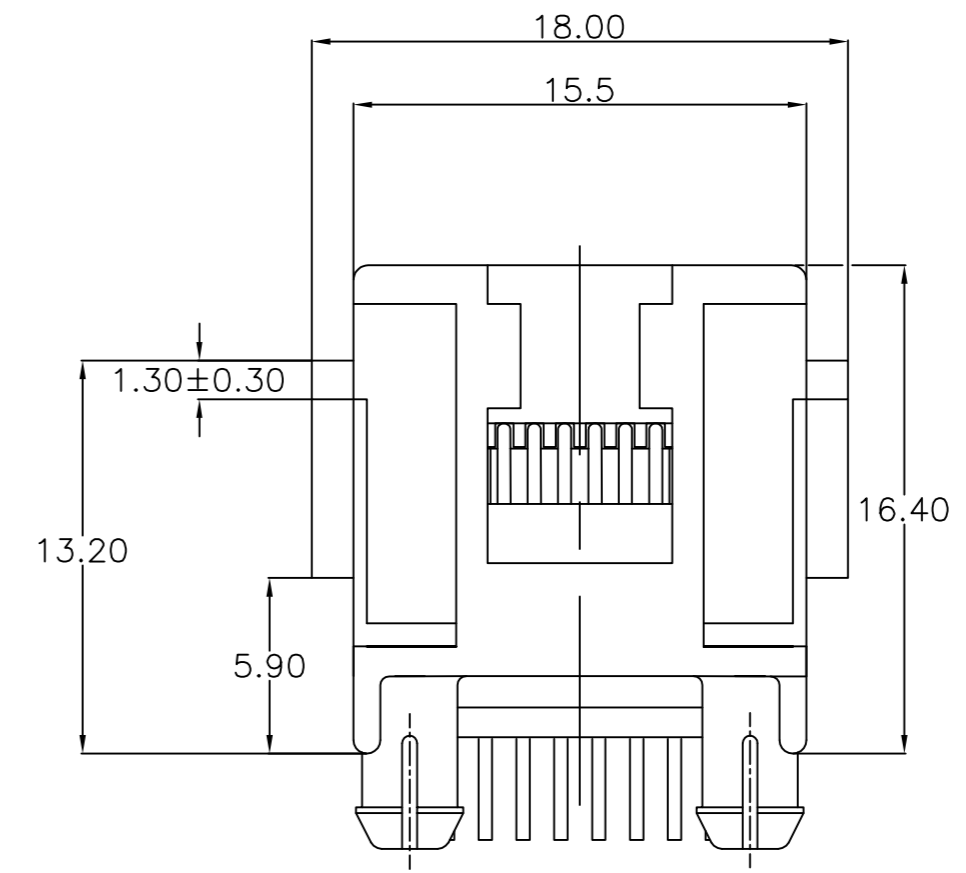
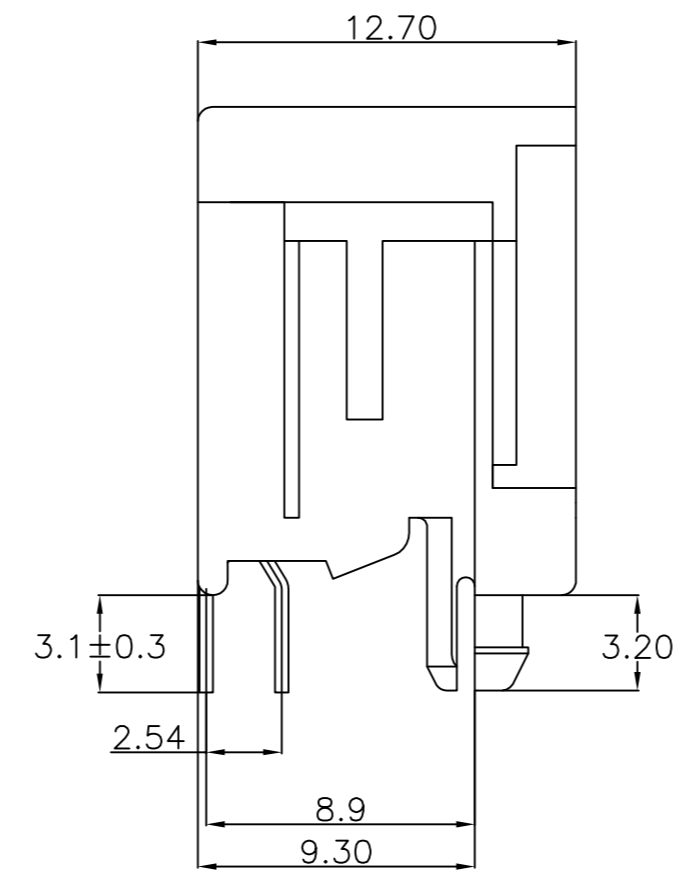
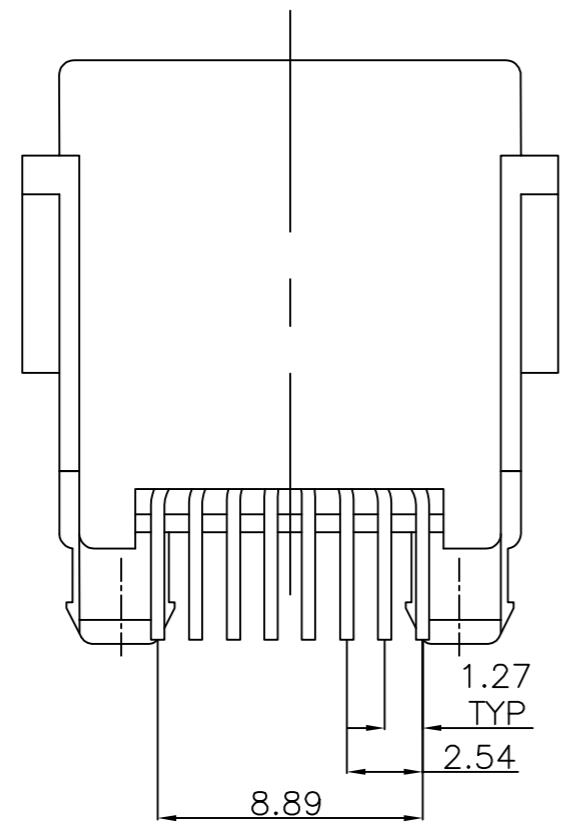
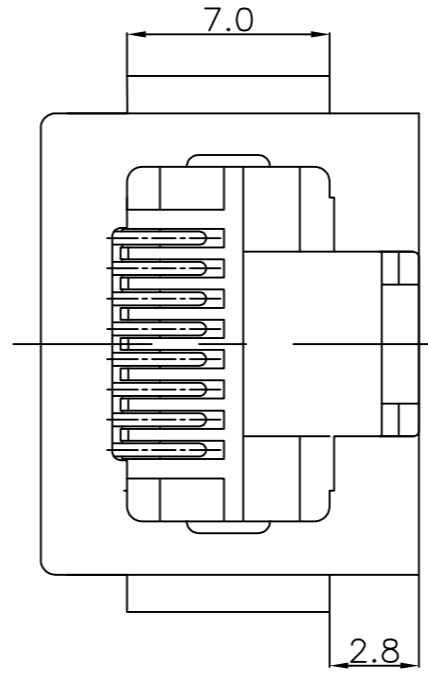


THIS DRAWING IS UNPUBLISHED. RELEASED FOR PUBLICATION
 © COPYRIGHT - By - ALL RIGHTS RESERVED.

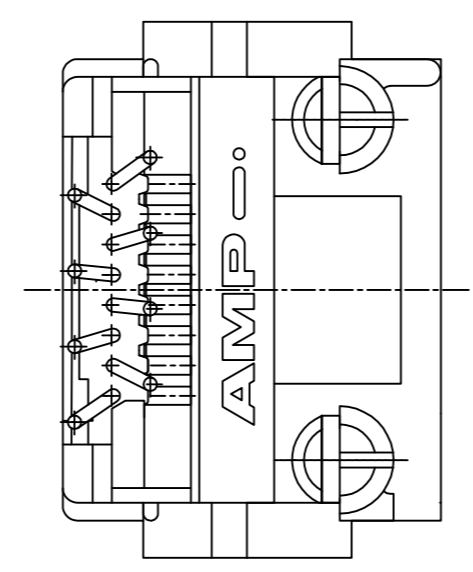
| LOC | | DIST | | REVISIONS | | | |
|-----|-----|---------------|---------|-----------|------|--|--|
| P | LTR | DESCRIPTION | DATE | DWN | APVD | | |
| H | - | | | | | | |
| | M2 | ECO-14-008965 | 02Dec13 | CW | SH | | |

- NOTES:
1. TOLERANCES UNLESS OTHERWISE SPECIFIED: ±0.15
 2. FOR APPLICATION INFORMATION SEE AMP SPEC. 114-19019.
 3. FOR PERFORMANCE REQUIREMENTS SEE AMP SPEC. 108-19064



PRINTED CIRCUIT BOARD LAYOUT

[VIEW SHOWN IS CIRCUIT (NONCOMPONENT) SIDE OF BOARD.]
 TOLERANCES UNLESS OTHERWISE SPECIFIED: ±0.05
 PRINTED CIRCUIT BOARD THICKNESS: 1.6 mm NOMINAL.



| PACKAGING | REMARKS | FINISH | MATERIAL | PART NUMBER |
|-------------------------------|-----------------------------|---|--|-------------|
| 800 PCS. ON A 60cm. DIA. REEL | 8 POSITIONS/ 8 CONTACTS. | IN CONTACT AREA: 1.2µm MIN. SEL. GOLD OVER 1.2µm MIN. NICKEL SOLDER TINES: 2.0µm MIN. TIN OVER 1.2µm MIN. NICKEL | HOUSING: PBT,UL 94V-0 COLOR: BLACK CONTACTS: PHOSPHOR BRONZE | 216550-2 |
| | | | HOUSING: PBT,UL 94V-HB COLOR: BLACK CONTACTS: PHOSPHOR BRONZE | 216550-1 |

THIS DRAWING IS A CONTROLLED DOCUMENT.

| | | | |
|--------------------|--|------------------------|---|
| DIMENSIONS: mm | TOLERANCES UNLESS OTHERWISE SPECIFIED: | DWN J.V.LIEMPT 22JAN92 | TE Connectivity |
| 0 PLC ± - | 1 PLC ± - | CHK C.STERKEN | |
| MATERIAL SEE TABLE | FINISH SEE TABLE | APVD L.V.SOEST | NAME |
| | | PRODUCT SPEC | MODULAR JACK, 8 POS. TOP ENTRY, SMALL SIZE WITH PANEL STOPS, FOR PRINTED CIRCUIT BOARDS |
| | | APPLICATION SPEC | SIZE A2 CAGE CODE 00779 DRAWING NO. C-216550 RESTRICTED TO |
| | | WEIGHT - | SCALE - SHEET 1 of 2 REV M3 |
| | | CUSTOMER DRAWING | |

4

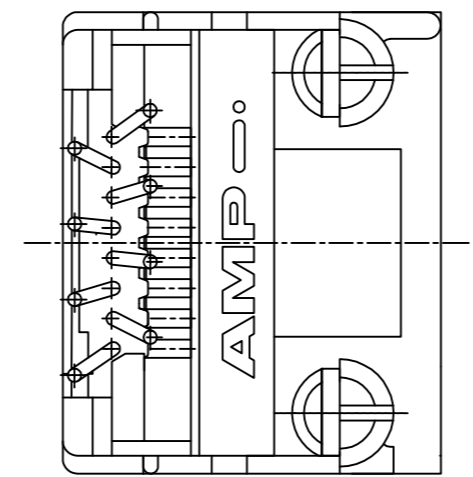
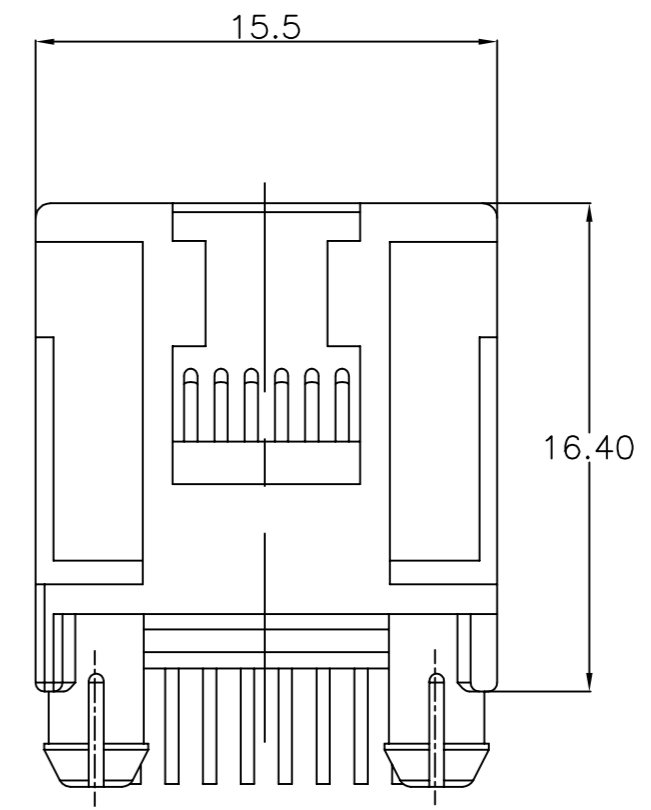
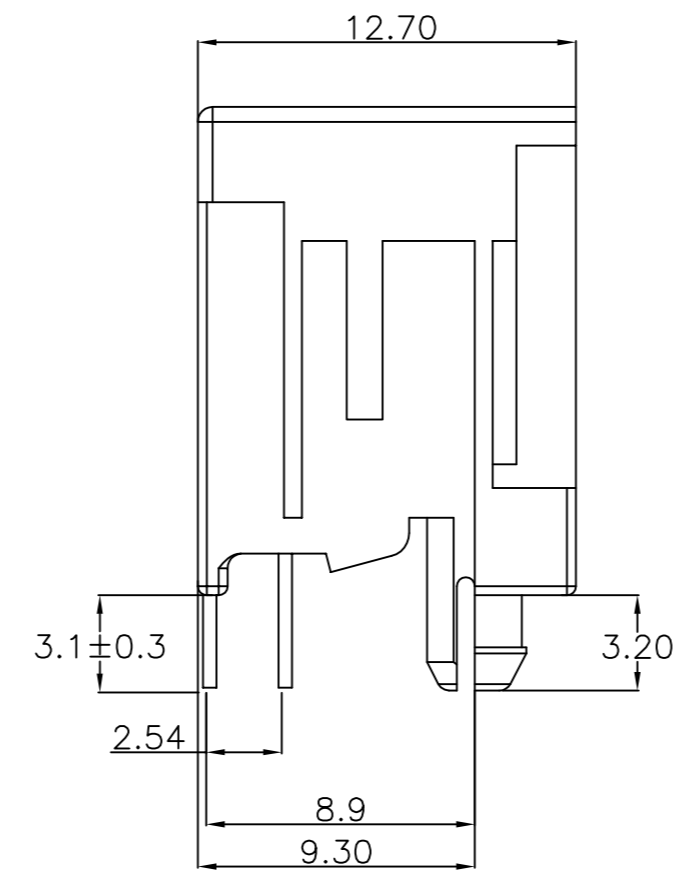
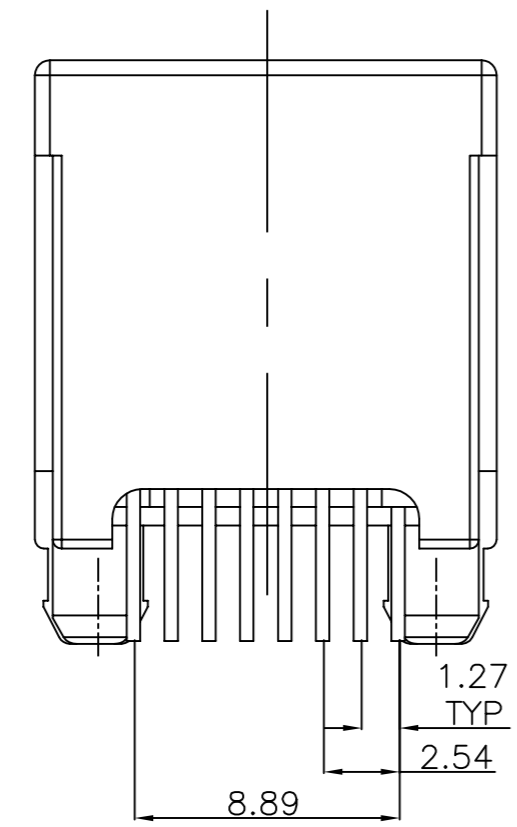
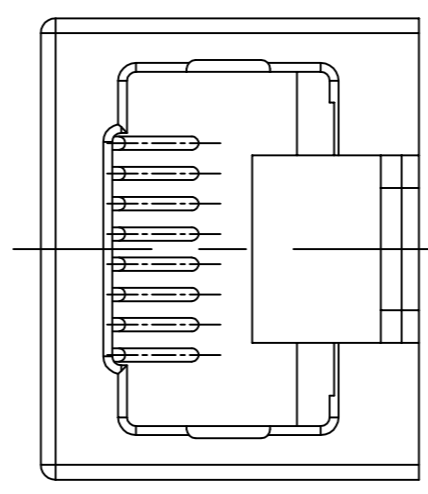
3

2

1

THIS DRAWING IS UNPUBLISHED. RELEASED FOR PUBLICATION
 © COPYRIGHT - By - ALL RIGHTS RESERVED.

| LOC | DIST | REVISIONS | | | |
|-----|------|---------------|------|-----|------|
| P | LTR | DESCRIPTION | DATE | DWN | APVD |
| H | - | SEE SHEET 1/2 | | | |



| | | | | |
|---|--|----------|----------|-------------|
| THE SAME AS 216550-1, BUT NO PANEL STOP | HOUSING: PBT,UL 94V-HB GREY-RAL 7035 | 216550-6 | | |
| | CONTACTS: PHOSPHOR BRONZE | | | |
| | HOUSING: PBT,UL 94V-HB YELLOW Pantone 115U | 216550-5 | | |
| | CONTACTS: PHOSPHOR BRONZE | | | |
| | HOUSING: PBT,UL 94V-HB COLOR: BLACK | 216550-4 | | |
| | CONTACTS: PHOSPHOR BRONZE | | | |
| PACKAGING | REMARKS | FINISH | MATERIAL | PART NUMBER |

| | | | | |
|--|---------------------|------------------------------|---|--------------------|
| THIS DRAWING IS A CONTROLLED DOCUMENT. | | DWN J.V.LIEMPT 22JAN92 | TE Connectivity | |
| DIMENSIONS: mm | | CHK C.STERKEN | NAME | |
| TOLERANCES UNLESS OTHERWISE SPECIFIED: | | APVD L.V.SOEST | MODULAR JACK, 8 POS. TOP ENTRY, SMALL SIZE WITH PANEL STOPS, FOR PRINTED CIRCUIT BOARDS | |
| 0 PLC ± - | 1 PLC ± - | PRODUCT SPEC | SIZE A2 | CAGE CODE 00779 |
| 2 PLC ± - | 3 PLC ± - | APPLICATION SPEC | DRAWING NO C=216550 | RESTRICTED TO - |
| 4 PLC ± - | ANGLES ± - | WEIGHT - | SCALE - | SHEET 2 of 2 |
| MATERIAL SEE TABLE | FINISH SEE TABLE | CUSTOMER DRAWING | REV M3 | |