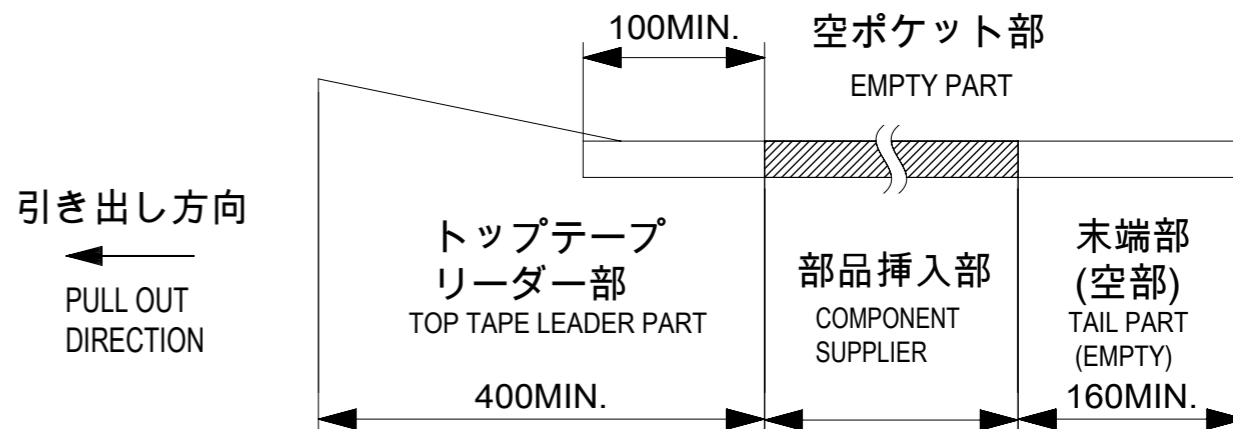


NOTES

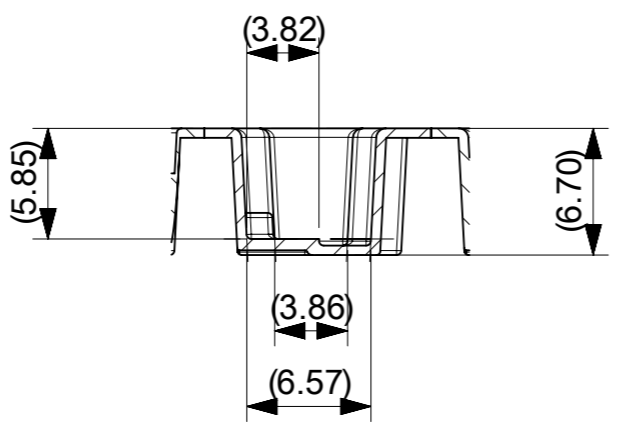
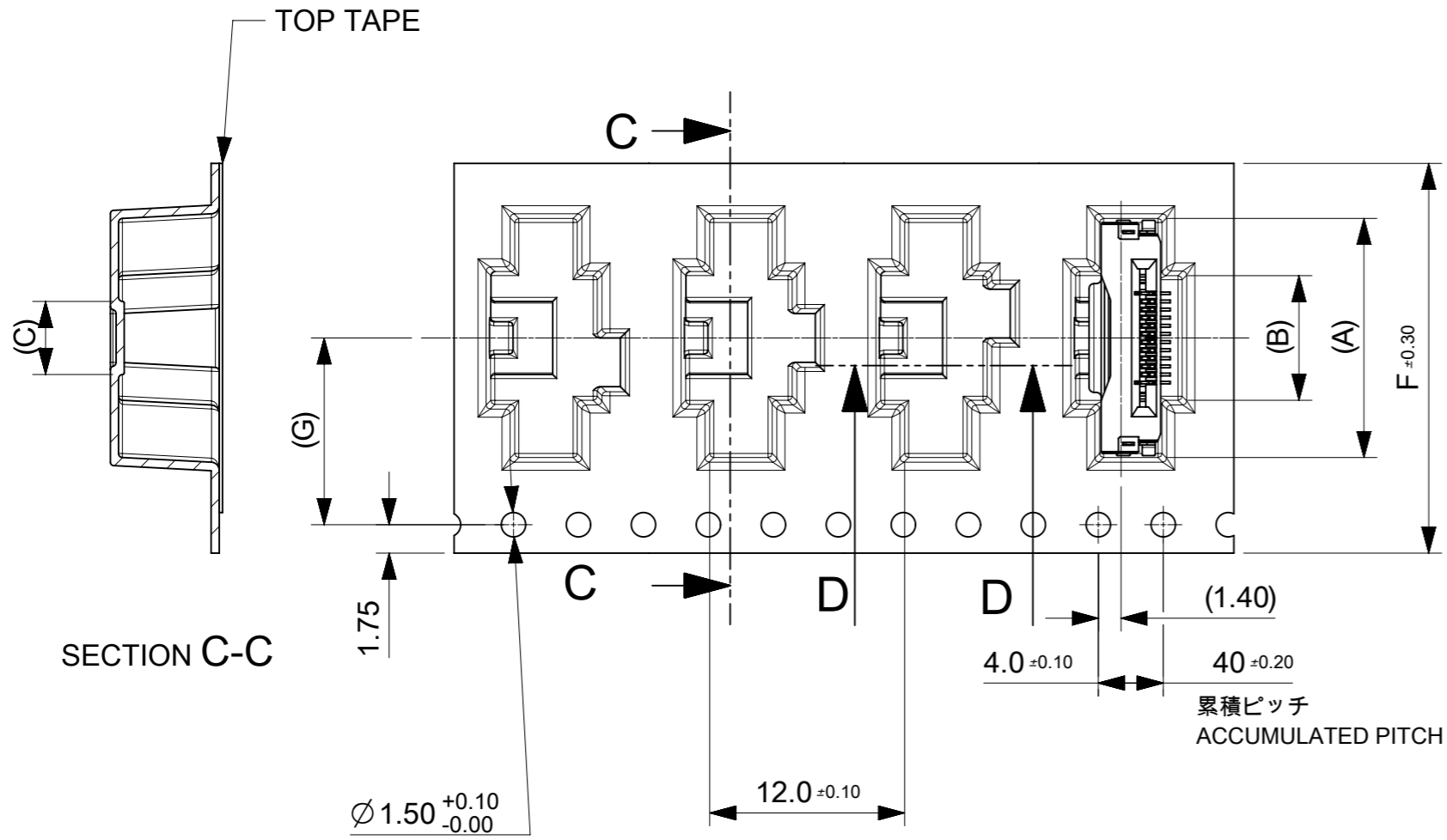
- 梱包数量 : 1200個 / リール
NUMBER OF CONNECTORS : 1200 PCS/REEL.
- リードテープ長さ
LEAD TAPE LENGTH



- カバートープの剥離強度については、IEC60286-3に準拠。
TOP TAPE PEEL FORCE IS DEFINED BY IEC 60286-3.
- 製品詳細寸法については、図面 2004851300を参照下さい。
FOR DIMENTIONS OF PRODUCT, REFER TO 2004851300
- 材料 MATERIAL
キャリアテープ : ポリスチレン
CARRIER TAPE : POLYSTYRENE
トップテープ : ポリエチレンテレフタレート、ポリエチレン
TOP TAPE : POLYETHYLENE TEREHTHALATE, POLYETHYLENE
リール : ポリスチレン<リサイクル材を含む>
REEL : POLYSTYRENE RECYCLED MATERIAL CONTAINED
- ELV及びRoHS適合品 ELV AND RoHS COMPLIANT.

THIS DRAWING CONTAINS INFORMATION THAT IS PROPRIETARY TO MOLEX ELECTRONIC TECHNOLOGIES, LLC AND SHOULD NOT BE USED WITHOUT WRITTEN PERMISSION		CURRENT REV DESC:		molex		
DIMENSION UNITS	SCALE					
mm	NTS			EMB PKG ONE-TOUCH ST GND HT		
GENERAL TOLERANCES (UNLESS SPECIFIED)				PRODUCT CUSTOMER DRAWING		
ANGULAR TOL	± 1.0 °			DOCUMENT NUMBER		
4 PLACES	± 0.1	EC NO: 648126		2004850300		
3 PLACES	± 0.1	DRWN: TYAMANE		PSD		
2 PLACES	± 0.1	CHK'D: YMATSUMOTO		000		
1 PLACE	± 0.1	APPR: SHOSHIKAWA		B		
0 PLACES	± 0.1	INITIAL REVISION:		REVISION		
DRAFT WHERE APPLICABLE MUST REMAIN WITHIN DIMENSIONS		THIRD ANGLE PROJECTION	DRAWING	SERIES	MATERIAL NUMBER	CUSTOMER
			A3-SIZE	200485	SEE TABLE	GENERAL
						SHEET NUMBER
						1 OF 3

引き出し方向
PULL OUT
DIRECTION



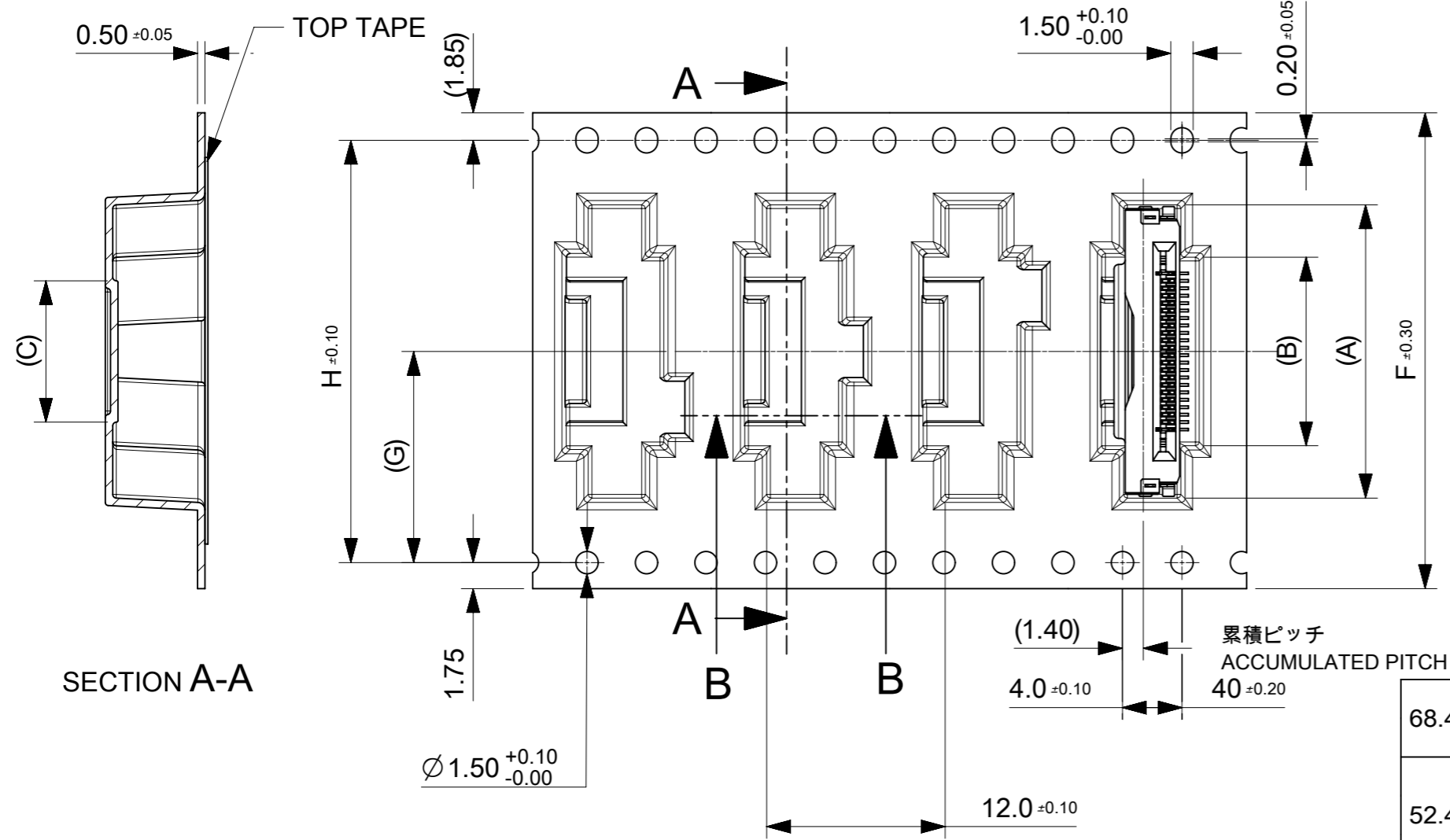
SECTION D-D

11.5	24	29.4	25.4	4.5	7.65	14.7	2004850310	10
G	F	E	D	C	B	A	EMBOSSED PACKAGE	Ckt
							オーダー番号 ORDER NO.	

THIS DRAWING CONTAINS INFORMATION THAT IS PROPRIETARY TO MOLEX ELECTRONIC TECHNOLOGIES, LLC AND SHOULD NOT BE USED WITHOUT WRITTEN PERMISSION											
DIMENSION UNITS		SCALE		CURRENT REV DESC:						molex	
mm		NTS									
GENERAL TOLERANCES (UNLESS SPECIFIED)				EC NO: 648126						EMB PKG ONE-TOUCH ST GND HT	
ANGULAR TOL				± 1.0 °		DRWN: TYAMANE		2020/10/15		PRODUCT CUSTOMER DRAWING	
4 PLACES				± 0.1		CHK'D: YMATSUMOTO		2020/10/30		DOCUMENT NUMBER	
3 PLACES				± 0.1		APPR: SHOSHIKAWA		2020/11/02		DOC TYPE	
2 PLACES				± 0.1		INITIAL REVISION:		2018/10/04		DOC PART	
1 PLACE				± 0.1		DRWN: TYAMANE		2020/06/08		REVISION	
0 PLACES				± 0.1		APPR: SHOSHIKAWA		2020/06/08		2004850300	
DRAFT WHERE APPLICABLE MUST REMAIN WITHIN DIMENSIONS				THIRD ANGLE PROJECTION		DRAWING		SERIES		MATERIAL NUMBER	
						A3-SIZE		200485		CUSTOMER	
								GENERAL		SHEET NUMBER	
								SEE TABLE		2 OF 3	

CONNECTOR NO. 20048513**

引き出し方向
PULL OUT
DIRECTION



SECTION A-A

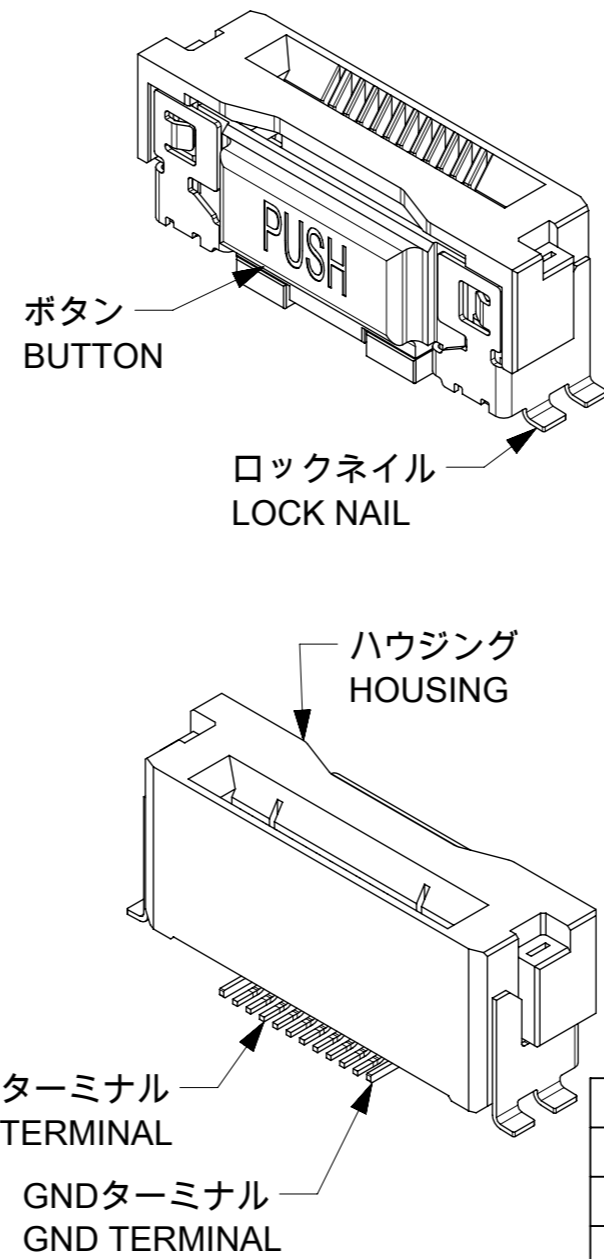
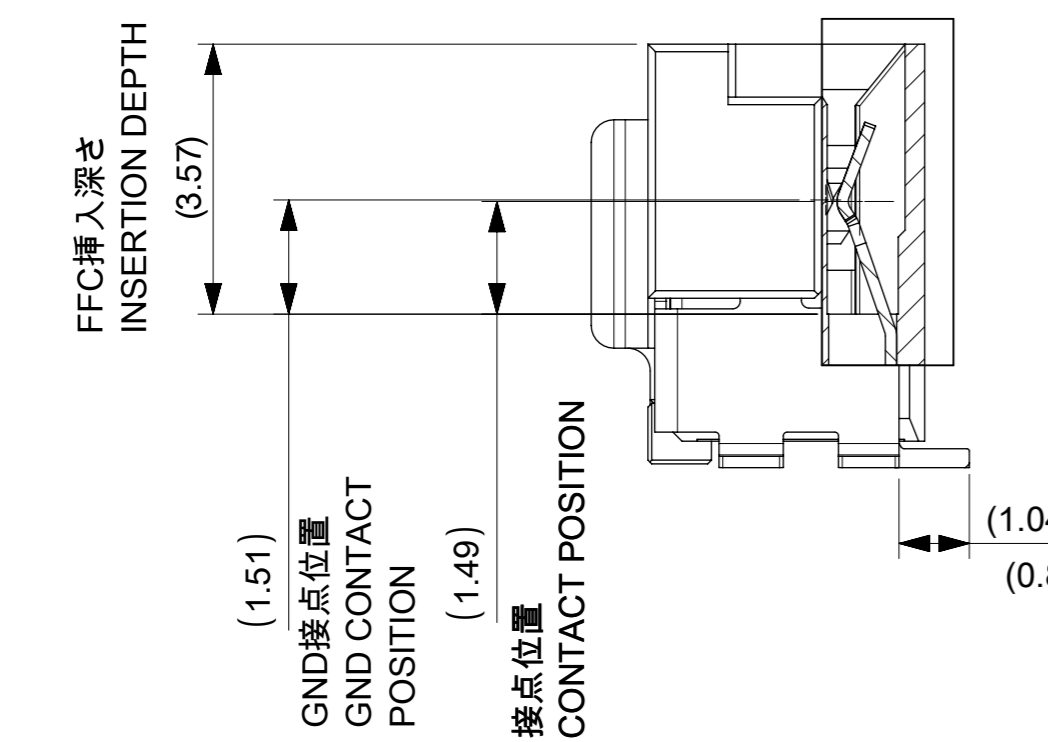
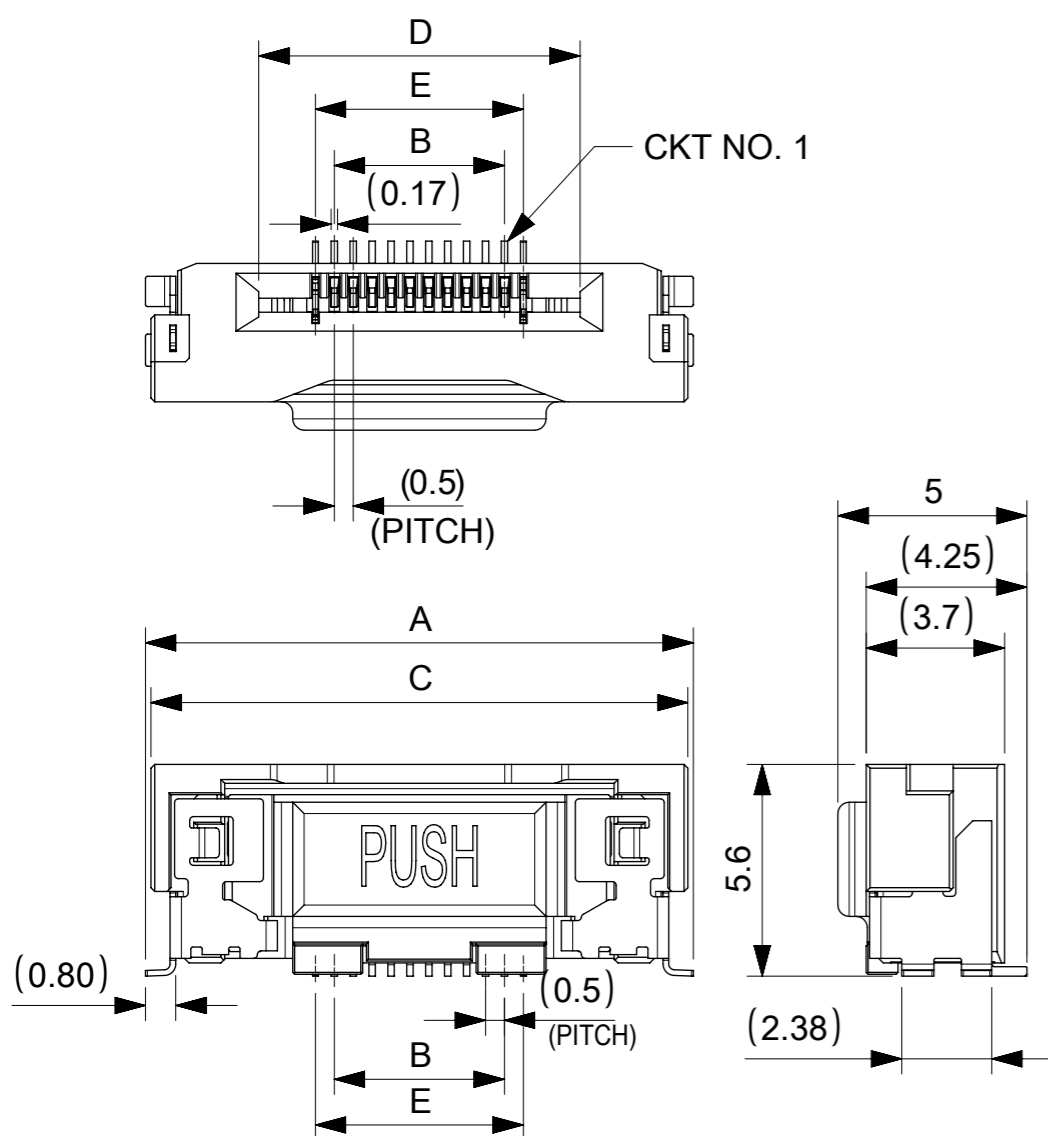
SECTION B-B

CONNECTOR NO. 20048513**

68.4	34.2	72	78.1	73.5	39.5	42.65	49.7	2004850380	80
					34.5	37.65	44.7	2004850370	70
52.4	26.2	56	61.4	75.4	29.5	32.65	39.7	2004850360	60
					25	28.15	35.2	2004850351	51
40.4	20.2	44	49.4	45.4	24.5	27.65	34.7	2004850350	50
					19.5	22.65	29.7	2004850340	40
					17	20.15	27.2	2004850335	35
28.4	14.2	32	37.4	33.4	14.5	17.65	24.7	2004850330	30
					9.5	12.65	19.7	2004850320	20
H	G	F	E	D	C	B	A	EMBOSSED PACKAGE	Ckt
								オーダー番号 ORDER NO.	

THIS DRAWING CONTAINS INFORMATION THAT IS PROPRIETARY TO MOLEX ELECTRONIC TECHNOLOGIES, LLC AND SHOULD NOT BE USED WITHOUT WRITTEN PERMISSION

DIMENSION UNITS mm	SCALE NTS	CURRENT REV DESC:		molex		
GENERAL TOLERANCES (UNLESS SPECIFIED)		EC NO: 648126				
ANGULAR TOL	± 1.0 °	DRWN: TYAMANE 2020/10/15		EMB PKG ONE-TOUCH ST GND HT		
4 PLACES	± 0.1	CHK'D: YMATSUMOTO 2020/10/30		PRODUCT CUSTOMER DRAWING		
3 PLACES	± 0.1	APPR: SHOSHIKAWA 2020/11/02		DOCUMENT NUMBER		
2 PLACES	± 0.1	INITIAL REVISION:		2004850300		
1 PLACE	± 0.1	DRWN: TYAMANE 2018/10/04		DOC TYPE		
0 PLACES	± 0.1	APPR: SHOSHIKAWA 2020/06/08		PSD		
DRAFT WHERE APPLICABLE MUST REMAIN WITHIN DIMENSIONS		THIRD ANGLE PROJECTION	DRAWING	SERIES	MATERIAL NUMBER	CUSTOMER
			A3-SIZE	200485	SEE TABLE	GENERAL
						REVISION
						B
						3 OF 3

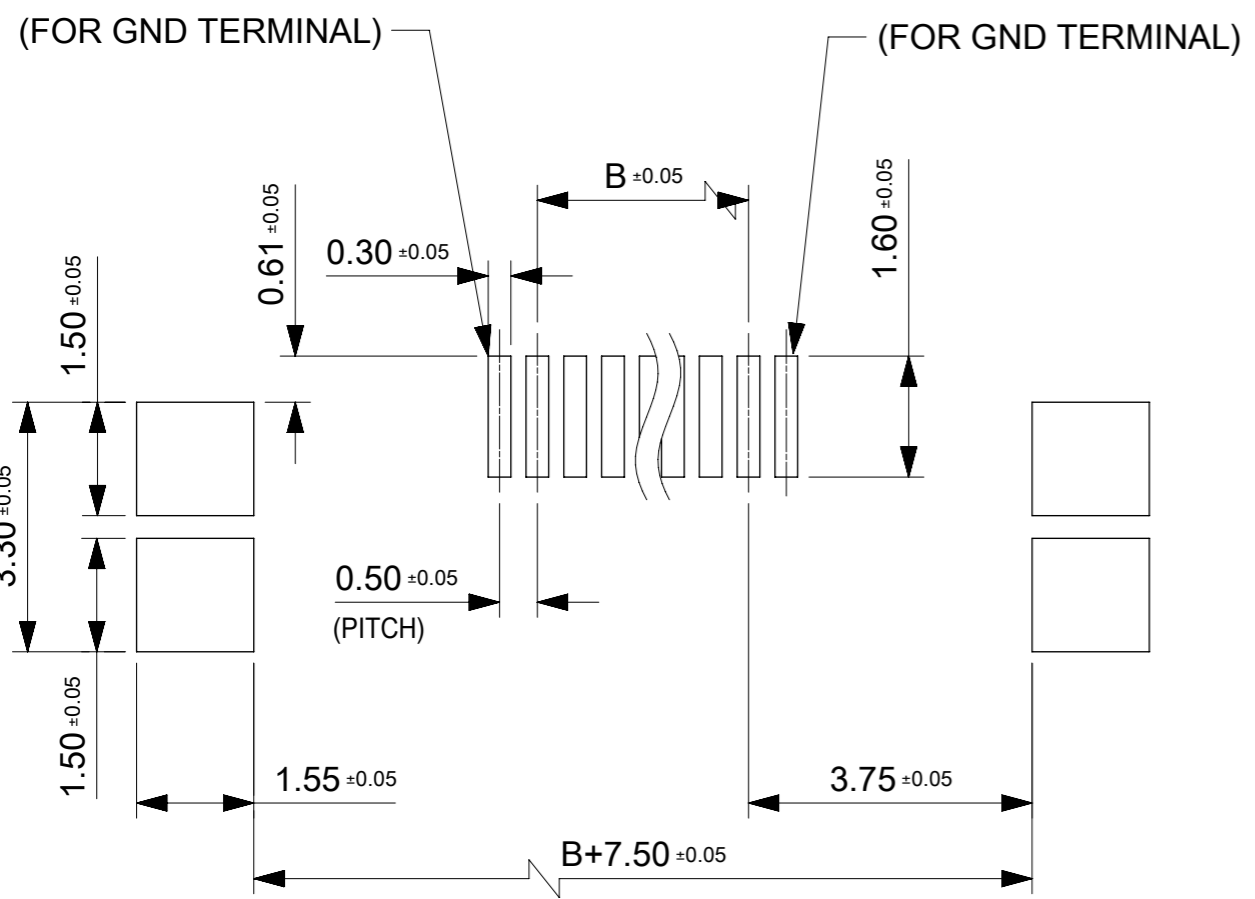


- NOTES:
- 1.使用材料 MATERIAL
 ハウジング: 液晶ポリマー, ガラス充填, UL94V-0(黒)
 HOUSING: LIQUID CRYSTAL POLYMER, GLASS FILLED, UL94V-0(BLACK)
 ボタン: 液晶ポリマー, ガラス充填, UL94V-0(ナチュラル)
 BUTTON: LIQUID CRYSTAL POLYMER, GLASS FILLED, UL94V-0(NATURAL)
 ターミナル: 銅合金(t=0.15)
 TERMINAL: COPPER ALLOY
 ロックネイル: 銅合金(t=0.15)
 LOCK NAIL: COPPER ALLOY
 GNDターミナル: 銅合金(t=0.15)
 GND TERMINAL: COPPER ALLOY
 - 2.めっき仕様 PLATING
 ターミナル TERMINAL
 接点部: 金めっき 0.1μm以上
 CONTACT AREA: GOLD 0.1 MICROMETER MINIMUM
 半田付け部: 金めっき
 SOLDER TAIL AREA: GOLD
 下地めっき: ニッケル 1.0μm以上
 UNDERPLATE: NICKEL 1.0 MICROMETER MINIMUM
 ロックネイル LOCK NAIL
 錫めっき(1.0μm以上)
 TIN PLATING (1.0 MICROMETER MIN.)
 GNDターミナル GND TERMINAL
 錫めっき(1.0μm以上)
 TIN PLATING (1.0 MICROMETER MIN.)
 - 3.平坦度は0.1ミリ以下とする。
 COPLANALITY TO BE 0.1 MAXIMUM.

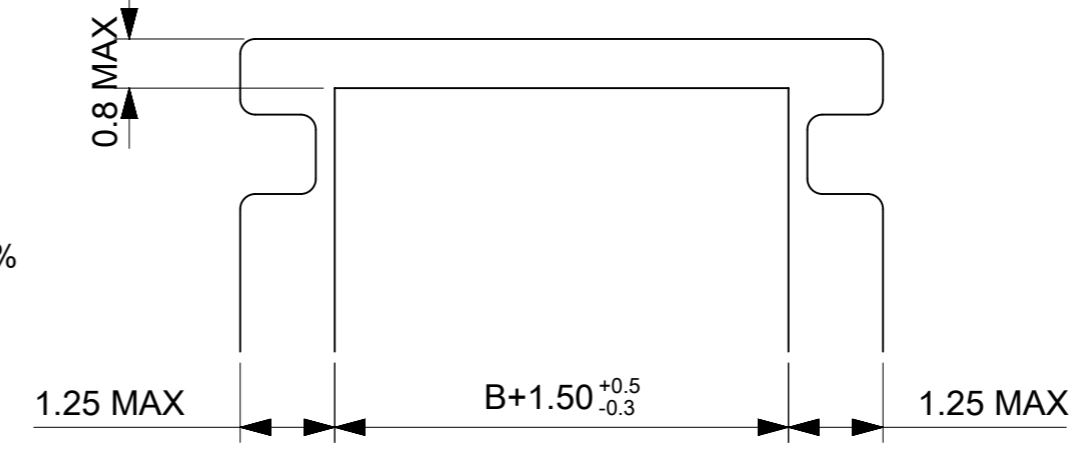
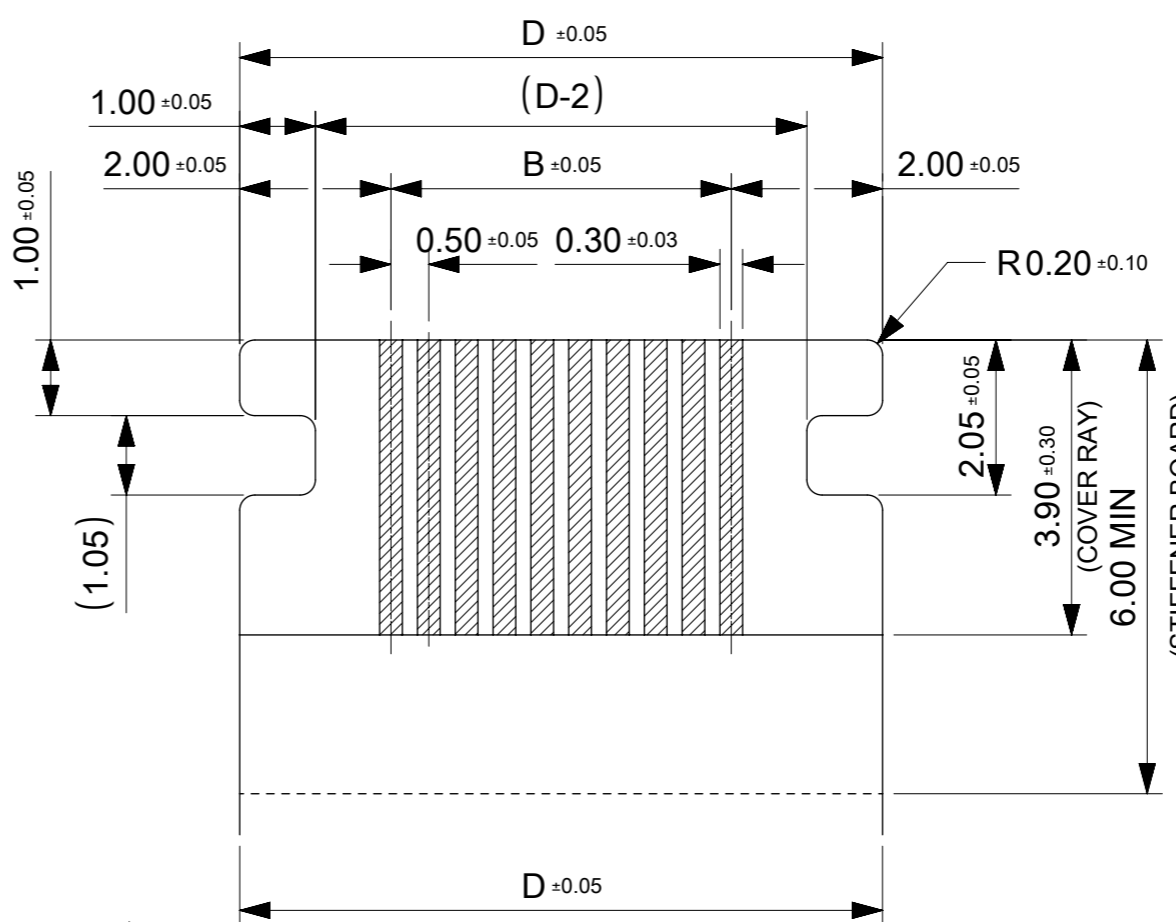
1.323	40.5	43.5	49.2	39.5	49.49	2004850380	80
1.215	35.5	38.5	44.2	34.5	44.49	2004850370	70
1.072	30.5	33.5	39.2	29.5	39.49	2004850360	60
0.957	26	29	34.7	25	34.99	2004850351	51
0.942	25.5	28.5	34.2	24.5	34.49	2004850350	50
0.796	20.5	23.5	29.2	19.5	29.49	2004850340	40
0.702	18	21	26.7	17	26.99	2004850335	35
0.650	15.5	18.5	24.2	14.5	24.49	2004850330	30
0.504	10.5	13.5	19.2	9.5	19.49	2004850320	20
0.358	5.5	8.5	14.2	4.5	14.49	2004850310	10
NET WEIGHT (g)	E	D	C	B	A	EMBOSSED PACKAGE	CIRC UIT
CONNECTOR SERIES NO. 20048513**						ORDER NO.	

THIS DRAWING CONTAINS INFORMATION THAT IS PROPRIETARY TO MOLEX ELECTRONIC TECHNOLOGIES, LLC AND SHOULD NOT BE USED WITHOUT WRITTEN PERMISSION

DIMENSION UNITS	SCALE	CURRENT REV DESC:	molex		
mm	5:1				
GENERAL TOLERANCES (UNLESS SPECIFIED)			0.5FFC CONN. ST ONE TOUCH ASSY GND HT		
ANGULAR TOL	± 1.0°	EC NO: 674194	PRODUCT CUSTOMER DRAWING		
4 PLACES	± 0.1	DRWN: AHMADI2	2021/08/18	DOCUMENT NUMBER	DOC TYPE
3 PLACES	± 0.1	CHK'D: TKON	2021/08/19	2004851300	PSD
2 PLACES	± 0.1	APPR: SHOSHIKAWA	2021/08/19	000	C
1 PLACE	± 0.1	INITIAL REVISION:	SHEET NUMBER		
0 PLACES	± 0.1	DRWN: AOKAJIMA	2017/03/08	SEE TABLE	GENERAL
DRAFT WHERE APPLICABLE MUST REMAIN WITHIN DIMENSIONS		APPR: SHOSHIKAWA	2020/06/08	1 OF 2	
THIRD ANGLE PROJECTION		DRAWING	SERIES	MATERIAL NUMBER	CUSTOMER
A3-SIZE		200485	SEE TABLE	GENERAL	

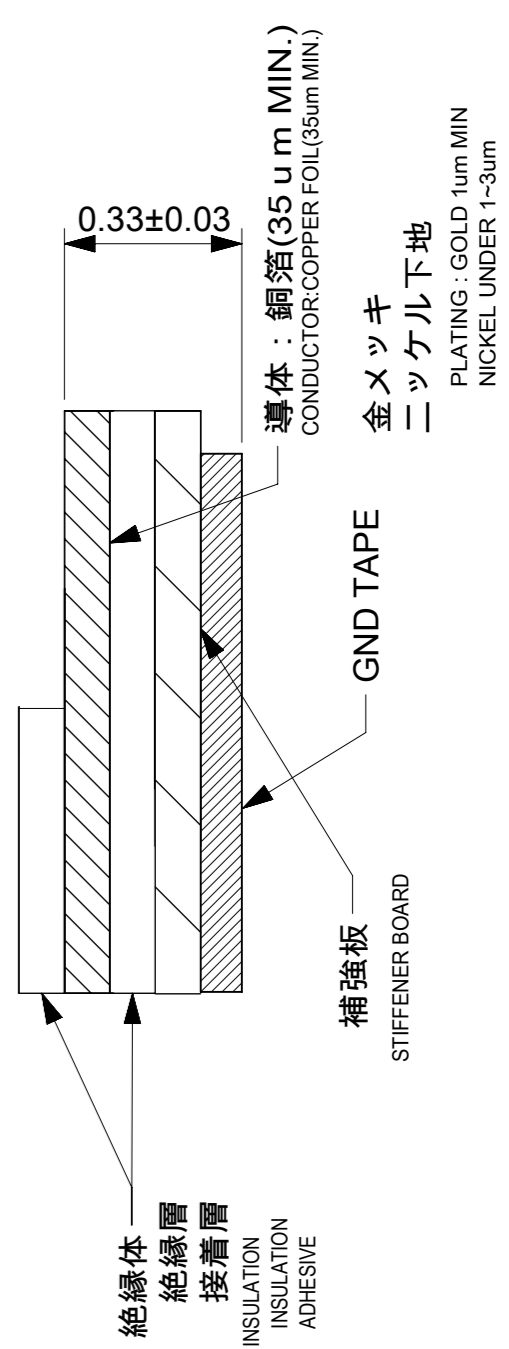


推奨PWB寸法
 RECOMMENDED PWB DIMENSION
 推奨メタルマスク厚、開口率 : t=0.12mm, 80%
 RECOMMENDED METAL MASK THICKNESS, APERTURE RATIO : t=0.12mm, 80%
 ロックネイル部開口部は100%
 APERTURE RATIO FOR LOCK NAIL: 100%



推奨FFC寸法
 RECOMMENDED FFC DIMENSION

抜き方向は導体側から補強版側を推奨します
 RECOMMENDED PUNCHING DIRECTION:
 FROM CONDUCTOR SIDE TO STIFFENER SIDE



THIS DRAWING CONTAINS INFORMATION THAT IS PROPRIETARY TO MOLEX ELECTRONIC TECHNOLOGIES, LLC AND SHOULD NOT BE USED WITHOUT WRITTEN PERMISSION																	
DIMENSION UNITS		SCALE		CURRENT REV DESC:						molex							
mm		10:1															
GENERAL TOLERANCES (UNLESS SPECIFIED)																	
ANGULAR TOL ± 1.0 °																	
4 PLACES		± 0.1		EC NO: 674194						0.5FFC CONN. ST ONE TOUCH ASSY GND HT							
3 PLACES		± 0.1		DRWN: AHMADI2 2021/08/18													
2 PLACES		± 0.1		CHK'D: TKON 2021/08/19						PRODUCT CUSTOMER DRAWING							
1 PLACE		± 0.1		APPR: SHOSHIKAWA 2021/08/19													
0 PLACES		± 0.1		INITIAL REVISION:						DOCUMENT NUMBER		DOC TYPE		DOC PART		REVISION	
				DRWN: AOKAJIMA 2017/03/08						2004851300		PSD		000		C	
				APPR: SHOSHIKAWA 2020/06/08						SEE TABLE		GENERAL		2 OF 2			
DRAFT WHERE APPLICABLE MUST REMAIN WITHIN DIMENSIONS				THIRD ANGLE PROJECTION		DRAWING		SERIES		MATERIAL NUMBER		CUSTOMER		SHEET NUMBER			
				A3-SIZE		200485		200485		GENERAL				2 OF 2			