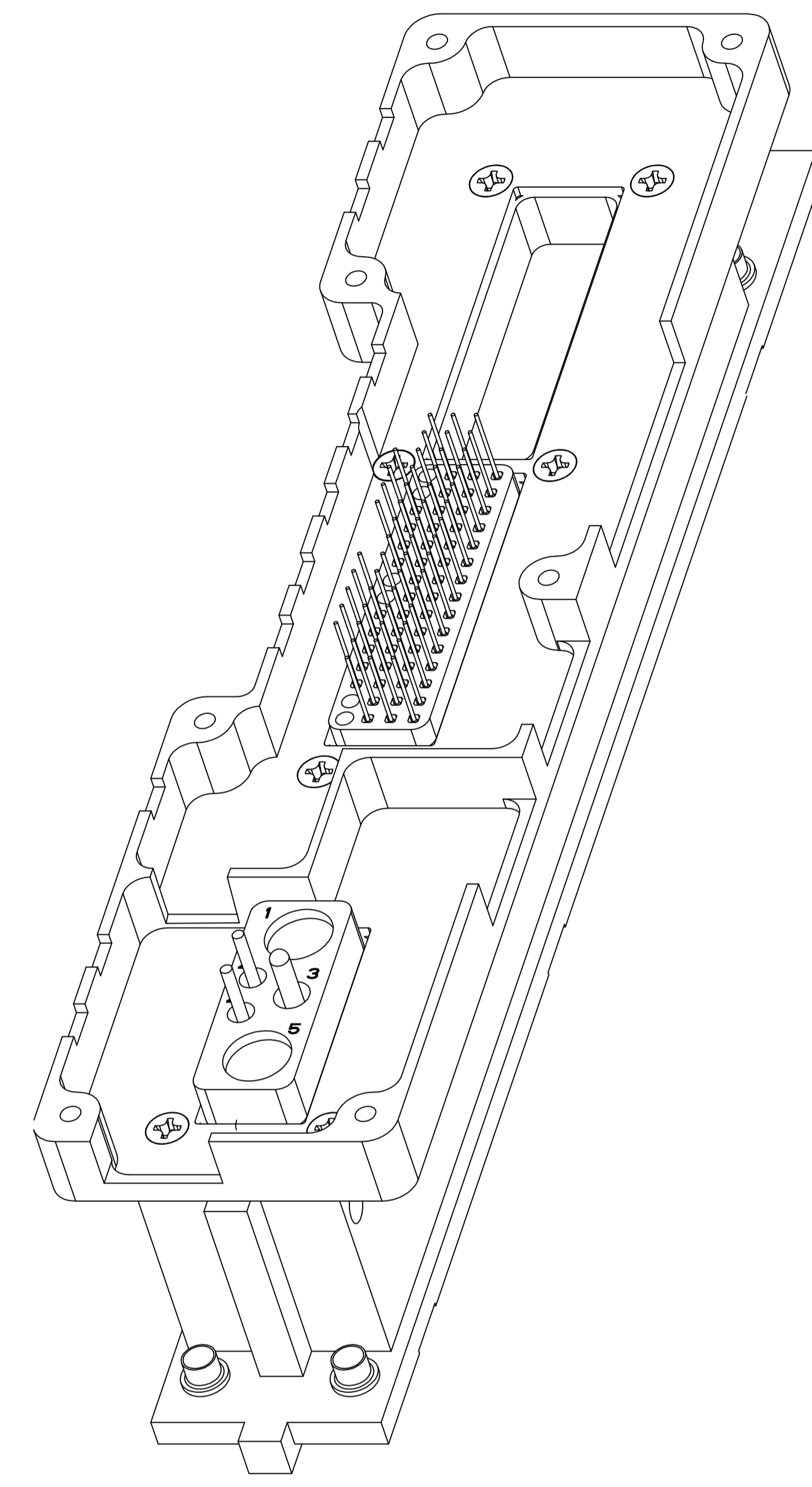
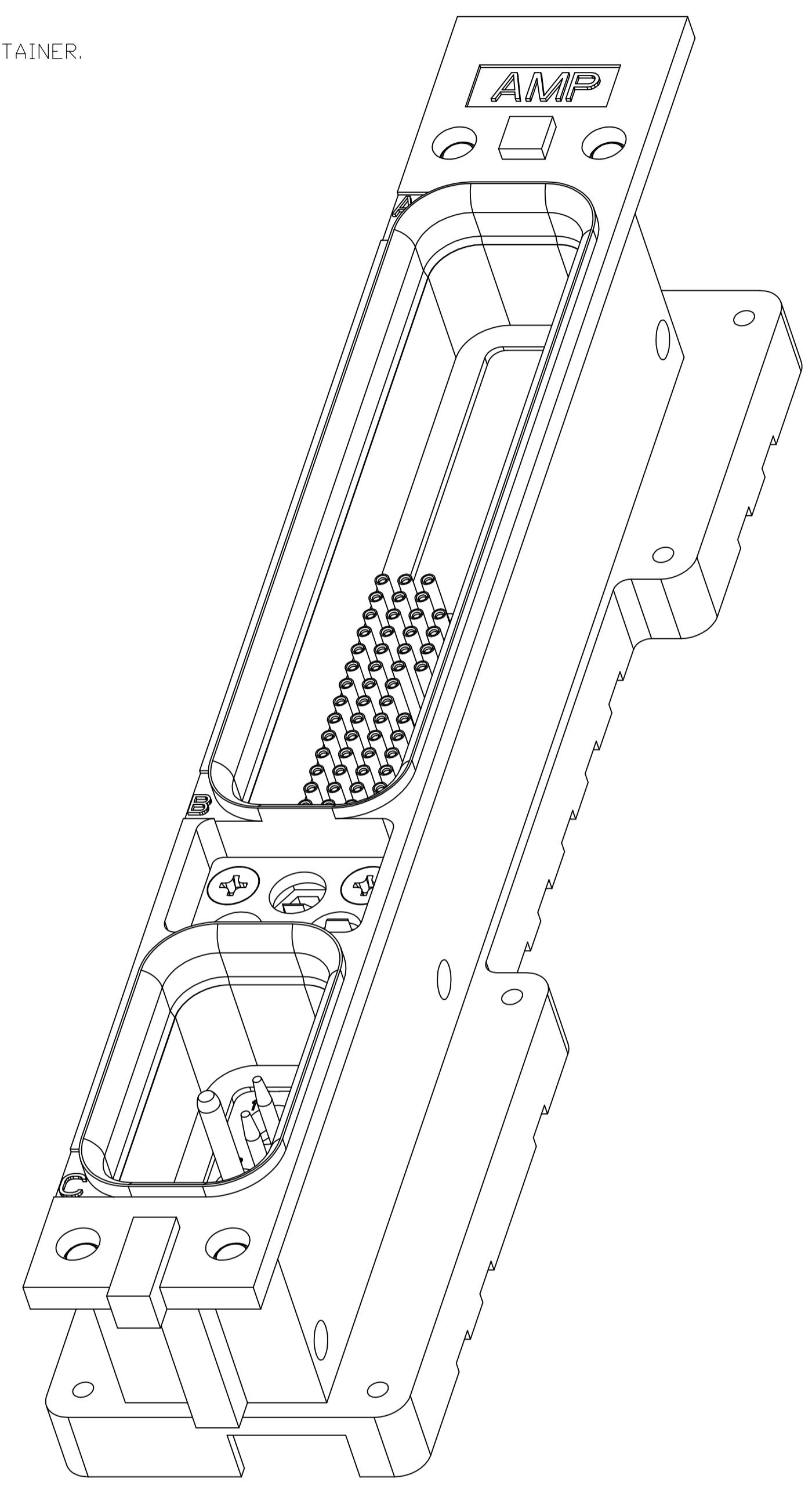


1. CONNECTOR DIMENSIONS ARE PER ARINC 600 SPECIFICATION UNLESS OTHERWISE SPECIFIED.
2. CONNECTOR IS SUPPLIED WITH CONTACTS (PER TABLE) ASSEMBLED AS SHOWN.
3. KEYING SHOWN IN POSITION FOR ILLUSTRATION ONLY. CONNECTORS SHIPPED WITH KEYING INSTALLED IN POSITION PER TABLE.
4. DUST COVER INSTALLED FOR SHIPPING.
5. WITH CONTACT FULLY SEATED IN CAVITY.
6. TE PART NO 208264-2 (QTY = 6) SUPPLIED WITH CONNECTOR IN A SEPARATE CONTAINER.
7. THIS DIMENSION IS MEASURED TO THE BACK OF THE SHELL NOT THE HIRF.



COMPONENT	MATERIAL	FINISH
SHELL	DIE CAST ALUMINUM PER ASTM-B-85	ELECTROLESS NICKEL PER MIL-C-26074
HIRF RETENTION PLATE	ALUMINUM ALLOY 6061-T6	ELECTROLESS NICKEL PER QQ-N-290 .0006 MIN OVER CU .0002
SCREWS AND LOCK WASHERS	STEEL	ZINC PLATED OVER SUPPLEMENTAL CHROMATE
POLARIZING KEYS	ZINC ALLOY PER ASTM-B-86	-
POLARIZING KEY RETAINING PLATE	ALUMINUM ALLOY PER ASTM-B-209	BLUE ANODIZED PER MIL-A-8625
60 & 5C2 INSERTS	THERMOSET	-
BLANK INSERT	ALUMINUM ALLOY PER ASTM-B-209	ELECTROLESS NICKEL PER MIL-C-26074

"05"	HIRF P/N: 1996895-1; HONEYWELL P/N: 047-50659-0501 MODULE A: BLANK MODULE B: SZ 22 POSTED PIN CONTACT: TE P/N 1-211431-8 (QTY=54) LOADED IN ALL POSITIONS EXCEPT: D1,D2,D7,D8,D14 & D15 MODULE C: SZ 16 POSTED PIN CONTACT: TE P/N 3-448139-3 (QTY=2) LOADED IN POSITION #2 & 4 SZ 12 POSTED PIN CONTACT: TE P/N 2-448140-2 (QTY=1) LOADED IN POSITION #3 SZ 5 SEALING PLUG: TE P/N 205975-1 (QTY=2) LOADED IN POSITION #1 & 5	1996504-1
	KEYING POSITION	CONTACTS & SEALING PLUGS INCLUDED AND INSTALLED

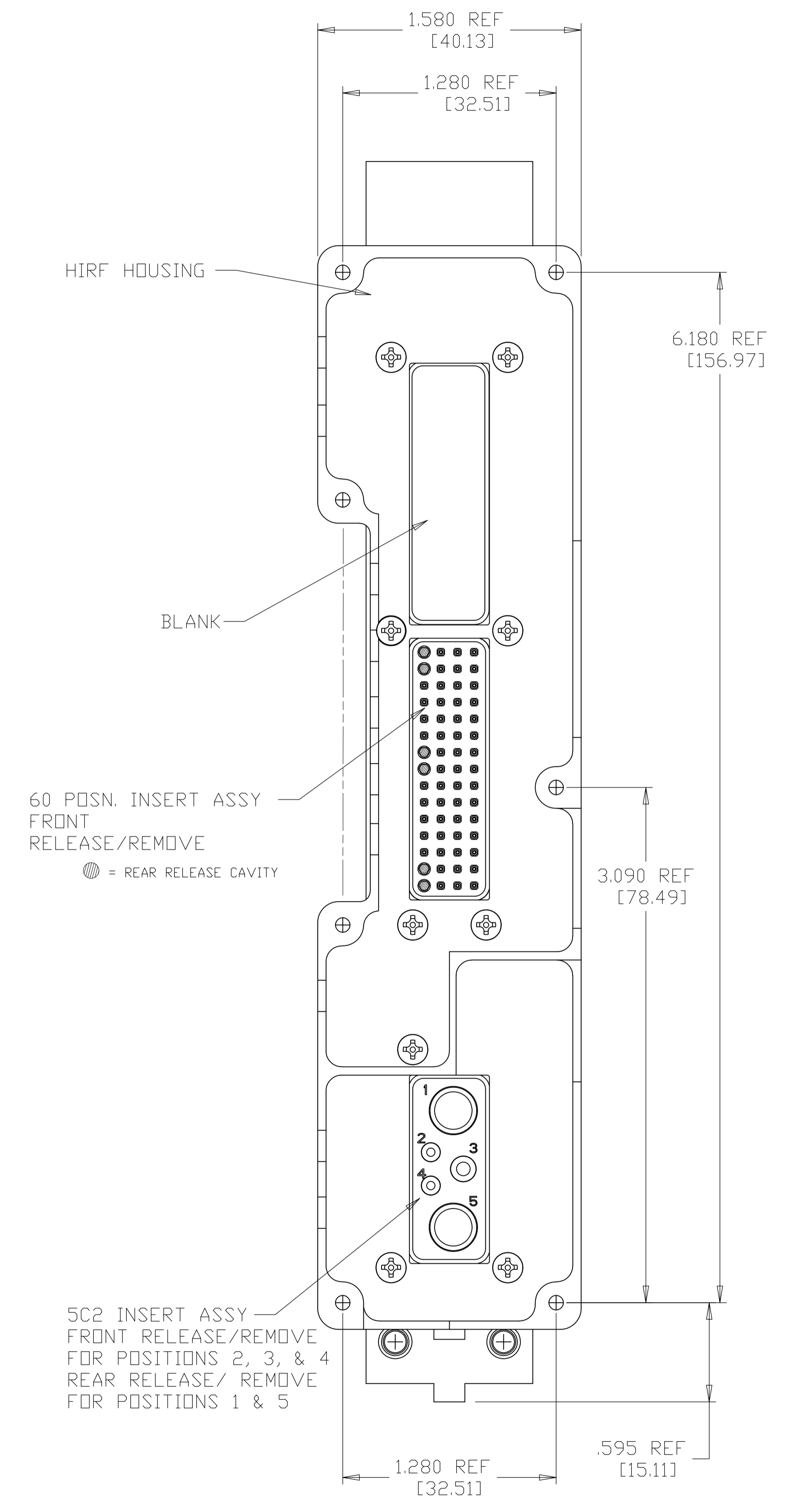
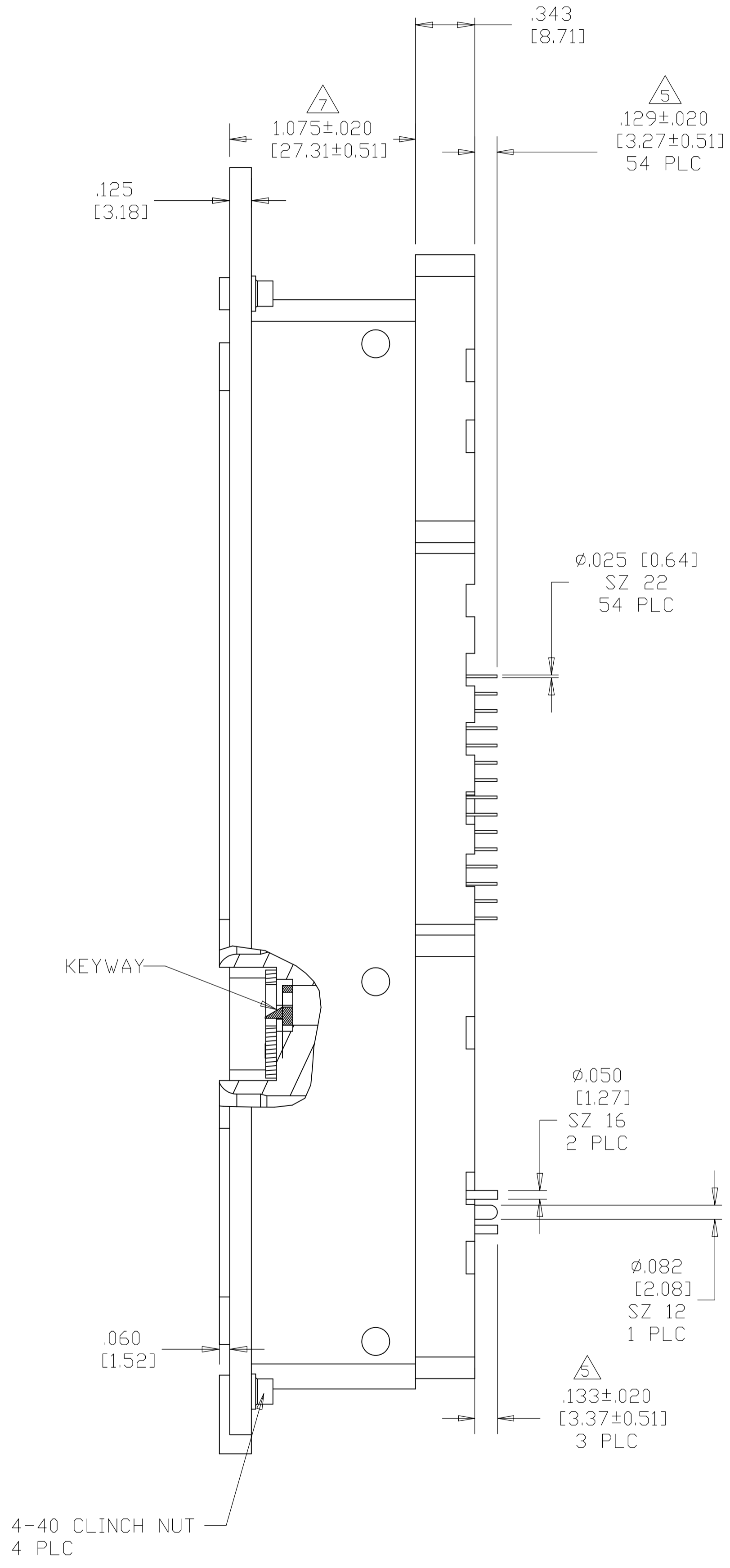
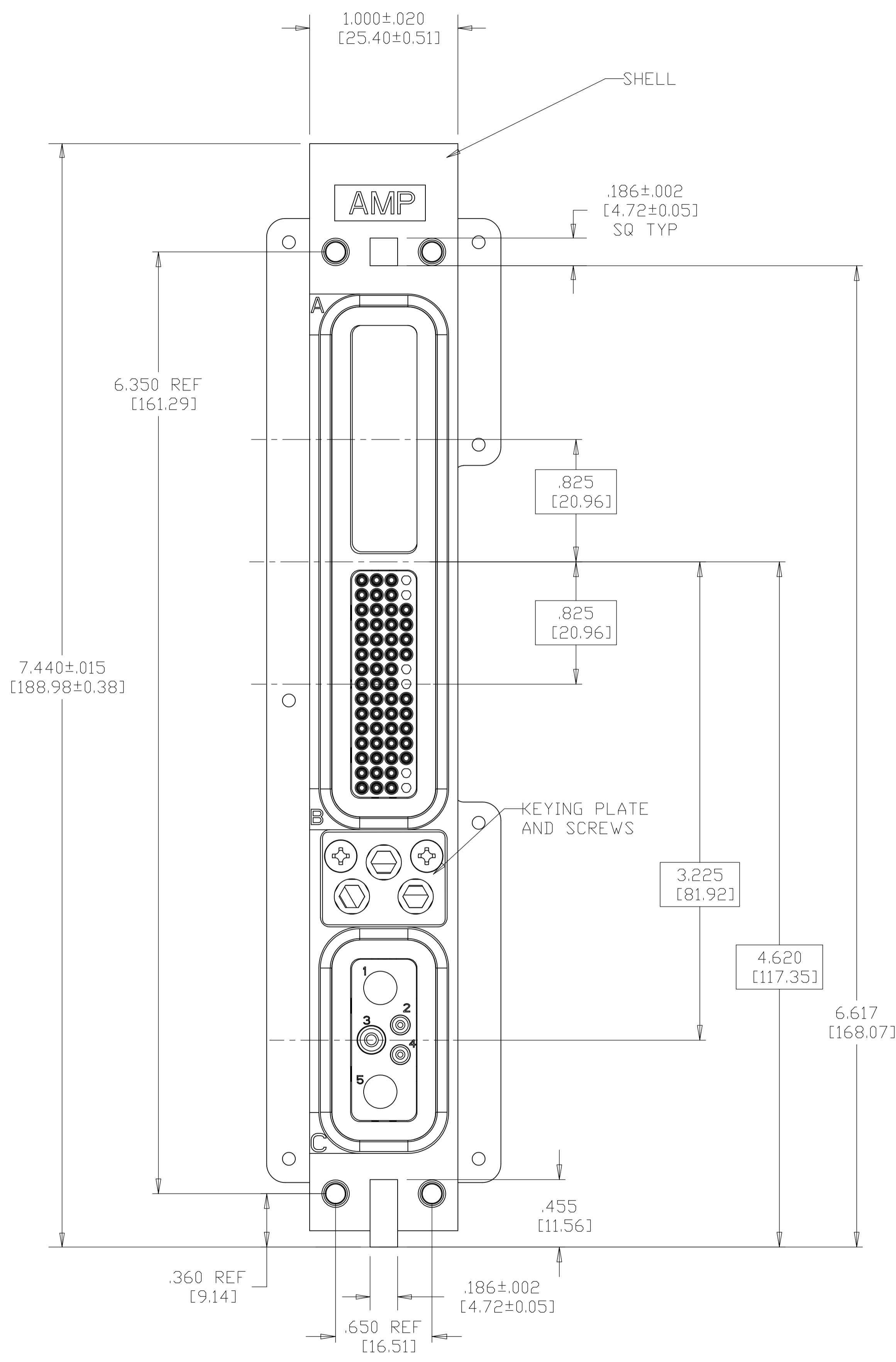
THIS DRAWING IS A CONTROLLED DOCUMENT.

DIMENSIONS: INCHES [mm]	TOLERANCES UNLESS OTHERWISE SPECIFIED:	DIN C.C.THOMAS 10-13-08	DRN
0 PLC ± .005	1 PLC ± .002	CHK K.THACKSTON 10-13-08	NAME
2 PLC ± .002	3 PLC ± .002	APVD K.THACKSTON	PRODUCT SPEC
4 PLC ± .002	ANGLES ± .1	APPLICATION SPEC	SIZE
MATERIAL SEE TABLE	FINISH SEE TABLE	WEIGHT	RESTRICTED TO
		A1 00779	SCALE 3:2 SHEET 1 OF 2 REV G

STE TE Connectivity
RECEPTACLE ASSY, SIZE 1, ARINC 600 (BLANK/60spcl/5C2)

CUSTOMER DRAWING

LOC		DIST		REVISIONS			
F	LTR	DESCRIPTION	DATE	DN	APVD		
-	-	SEE SHEET 1	-	-	-	-	-



THIS DRAWING IS A CONTROLLED DOCUMENT.		DN C.C.THOMAS 10-13-08	TE Connectivity	
DIMENSIONS: INCHES [mm]		CHK K.THACKSTON 10-13-08		
TOLERANCES UNLESS OTHERWISE SPECIFIED:		NAME K.THACKSTON	RECEPTACLE ASSY, SIZE 1, ARINC 600 (BLANK/60spcl/5C2)	
0 PLC ± -		PRODUCT SPEC		
1 PLC ± -		APPLICATION SPEC		
2 PLC ± -		SIZE	A1	RESTRICTED TO
3 PLC ± -		CAGE CODE	00779	
4 PLC ± -		DRAWING NO	1996504	
ANGLES ± -		WEIGHT		
MATERIAL -	FINISH -	CUSTOMER DRAWING	SCALE 3:2	SHEET 2 OF 2 REV G