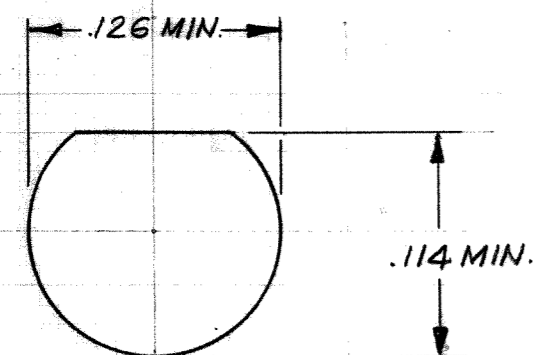
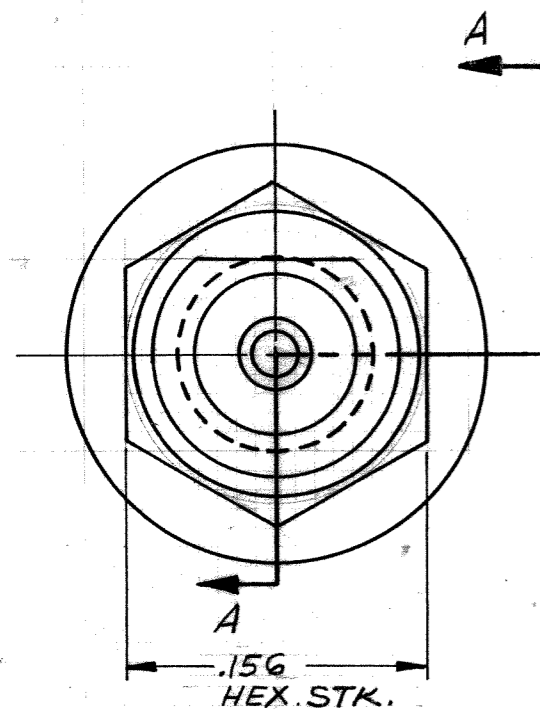
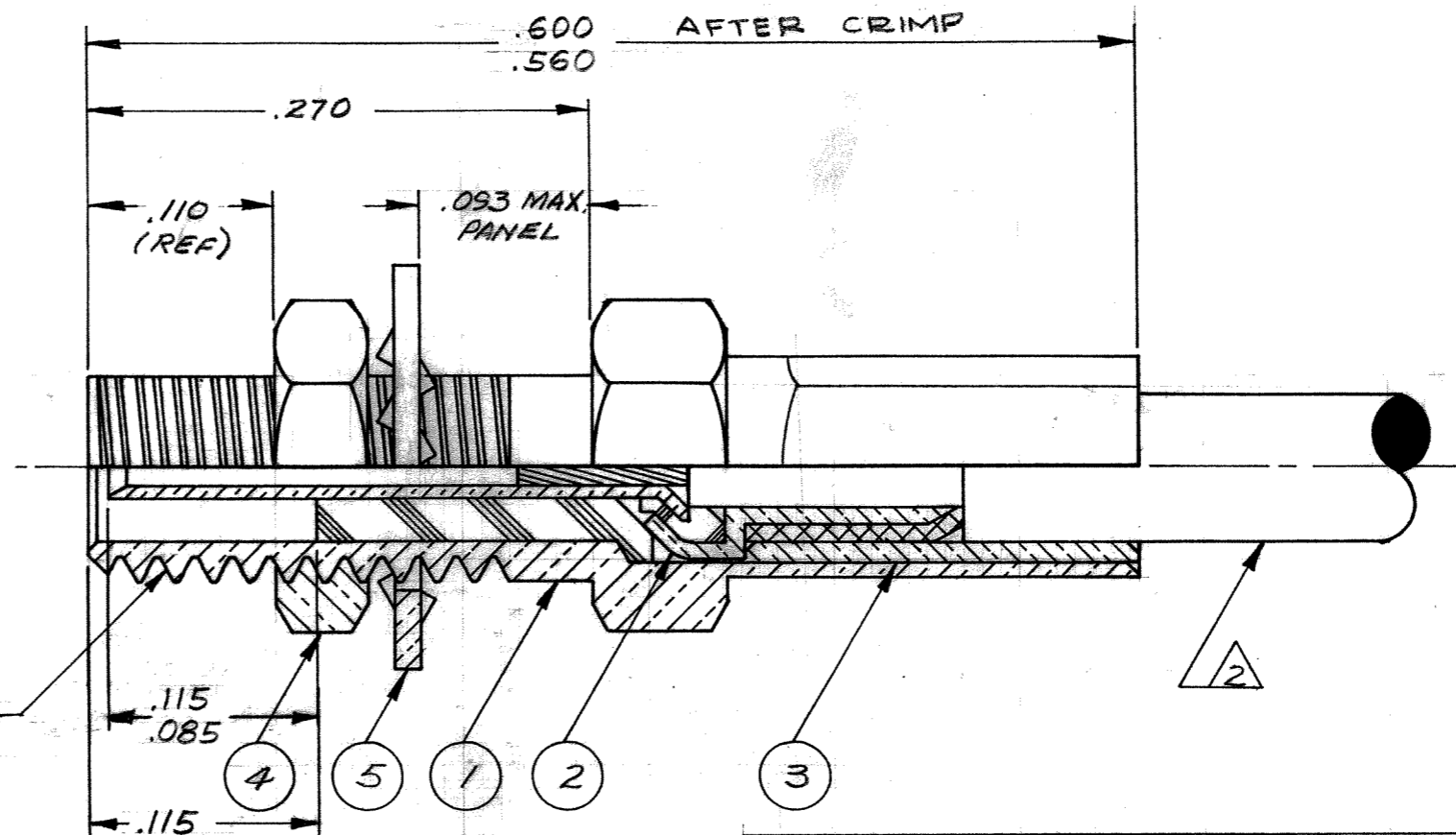


These drawings and specifications are the property of Microdot Inc., are issued in strict confidence and shall not be divulged, be reproduced or copied, or used as the basis for the manufacture or sale of any article without written permission of Microdot Inc.



MOUNTING HOLE

.125-44UNF-2A (MODIFIED)



SECTION A-A

Tyco Dwg 1495008  
Micro P/N 141-0001-0001

QTY	PART NO.	NOMENCLATURE	MAT'L & SPEC	ITEM
1	014-0013-0002	LOCKWASHER	#425 BRONZE ALLOY	5
1	014-0012-0002	MOUNTING NUT	BRASS, QQ-B-626	4
1	014-0004-0002	CRIMP SLEEVE	LEADED COPPER OR O.F.H.C. COPPER	3
1	014-0009-0002	CONTACT, SOCKET	LEADED COPPER OR O.F.H.C. COPPER	
1	014-0002-0002	FERRULE	BRASS, QQ-B-626	
1	014-0001-0001	INSULATOR, FERRULE	TEFLON, L-P-403	
1	014-1003-0001	SOCKET CONTACT SUBASSY.		2
1	014-0007-0002	HOUSING, BULKHEAD JACK	BRASS, QQ-B-626	
1	014-0011-0001	INSULATOR	TEFLON, L-P-403	
1	014-1010-0001	HOUSING SUBASSY		1

4. SEE RF-ASMB-12 FOR CABLE ASSEMBLY INSTRUCTIONS. ASSY TOOL REQ'D: 010-0132-0000 FOR HOUSING AND 010-0150-0000 FOR CONTACT.
3. MATES WITH ALL LEPRACON 142 SCREW-ON SERIES PLUGS.
- ② CABLE ACCEPTANCE DIM'S - CENTER COND. .012 NOM., DIELECTRIC .040 MAX, JACKET .081 MAX.
1. ALL METALLIC PARTS ARE GOLD PLATED PER MIL-G-45204, TYPE II, GRADE C, CLASS I.

NOTES: UNLESS OTHERWISE SPECIFIED

ASSEMBLY	NO REQ'D	LET	ECO	REVISION DESCRIPTION	BY	DATE	APP
		A	5304	RELEASE FOR PROD.	U.M.	10/16/66	
		B	243	COMPONENT NO UP-DATED	BR	4/3/67	
		C	19263	ITEM 4, MAT'L SPEC WAS BRASS QQ-B-626, COMP. 22:	M.W.	2/6/75	
		D	23324	SEE ECN FOR CHANGES	M.G.	5/6/79	
		E	28951	ITEM 5 MAT'L WAS: P/BRZE QQ-B-75	LM	1/28/85	
		F	42092	UPDATE REVISION LETTER	RS	10/16/85	

STANDARD TOLERANCES UNLESS OTHERWISE SPECIFIED  
 DEC. ± .010  
 FRAC. ±  
 ANGLES ± B°  
 ECCENTRICITY  
 MAX. T.I.R.  
 HOLE DIA. ±  
 SURFACE ROUGHNESS  
 MICRO INCHES  
 THREADS TO MIL-S-7742  
 COMMERCIAL TOLERANCES APPLY TO STOCK DIMENSIONS

**MALCO**  
 A MICRODOT COMPANY, INC.  
 220 PASADENA AVE., SO. PASADENA, CAL

SURFACE TREATMENT: NOTED

MATERIAL: NOTED

APP: [Signature]

CHECKED BY: [Signature]

DRAWN BY: [Signature]

SCALE: 10/1

WT: [Blank]

DATE: 2/25/66

DRAWING NUMBER: 141-0001-0001

BULKHEAD JACK,  
 SCREW-ON, LEPRACON

PROD. CODE: 346

CODE: CDM