

PART NUMBER	ENGINEERING NUMBER	FINISHED LENGTH
1300680107	TC30200K20M010E	1M [ 3FT 3 IN]
1300680108	TC30200K20M020E	2M [ 6FT 7 IN]
1300680109	TC30200K20M040E	4M [13 FT 1 IN]

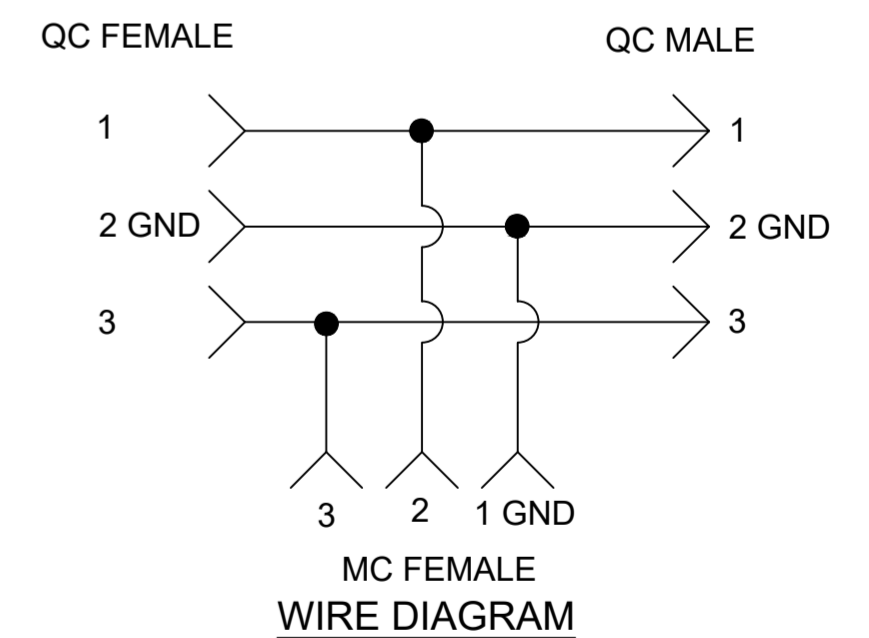
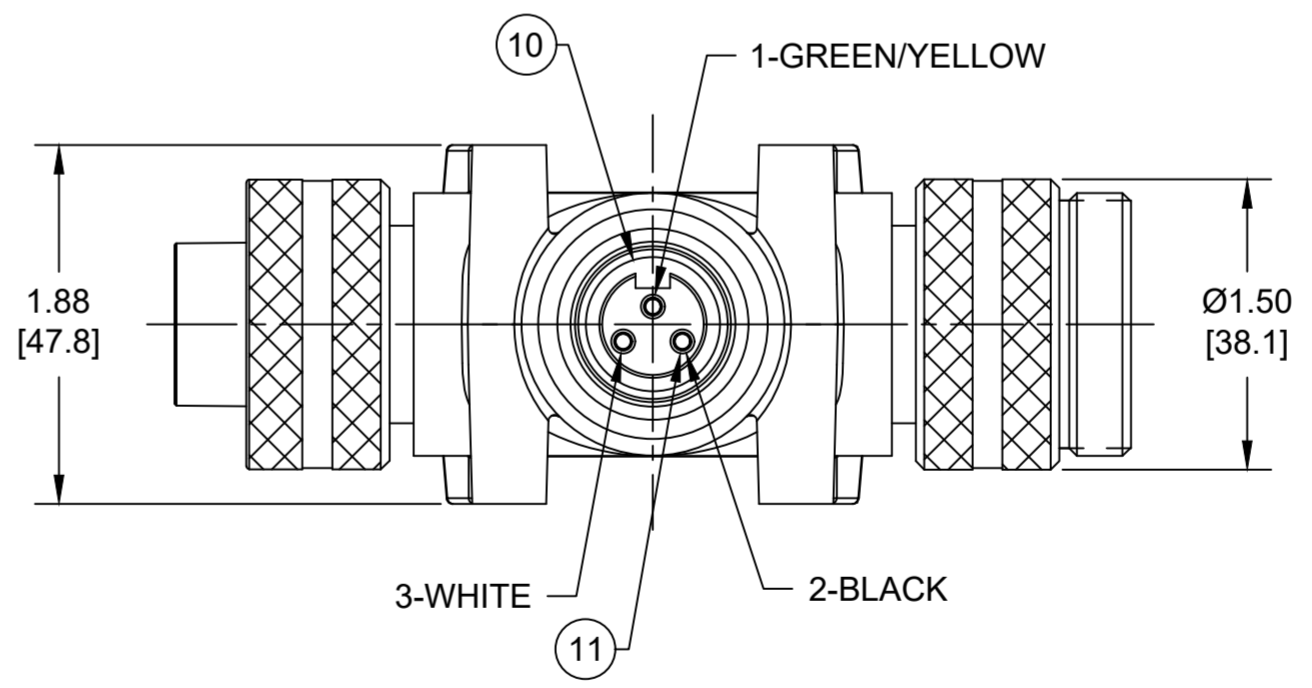
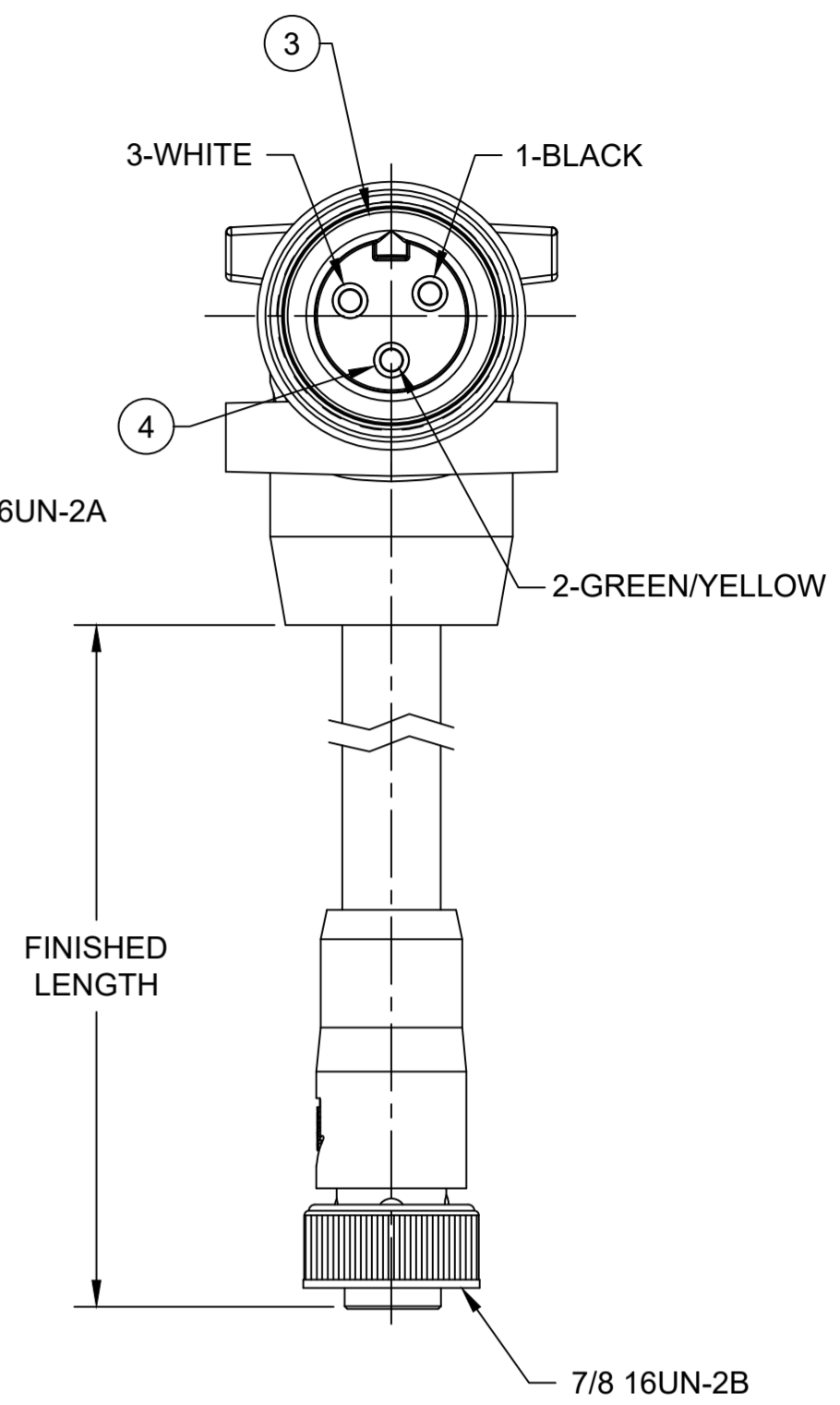
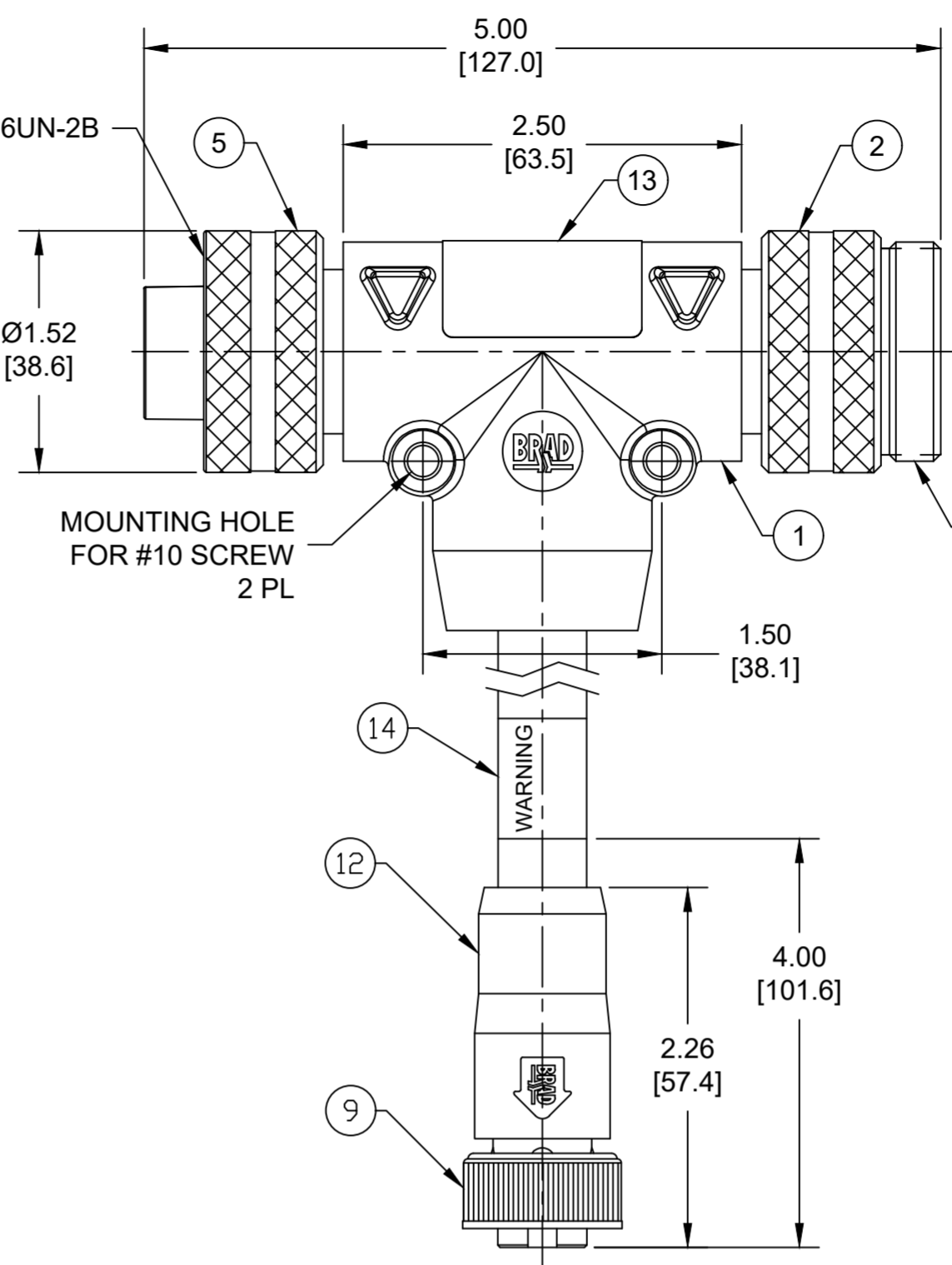
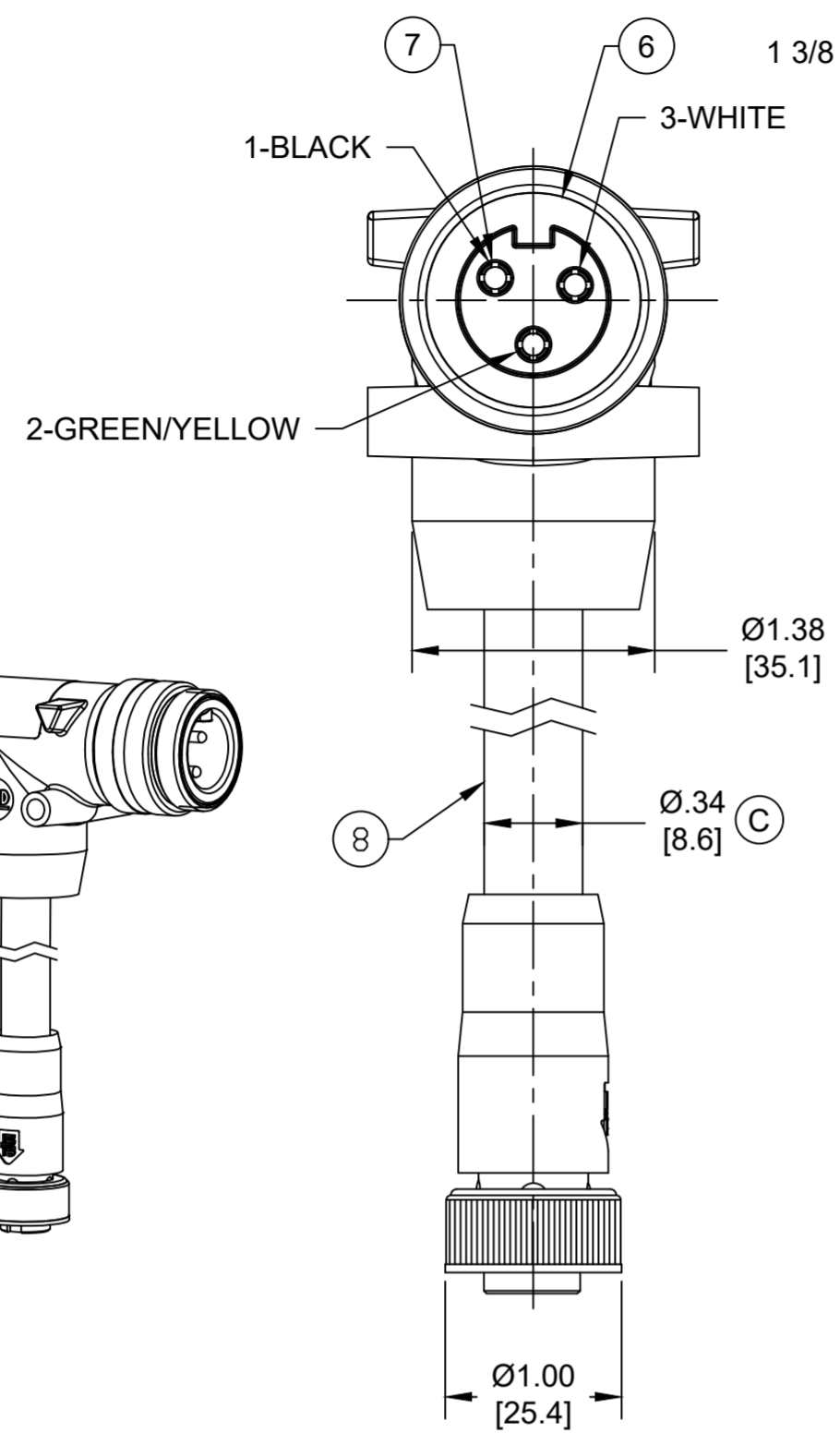
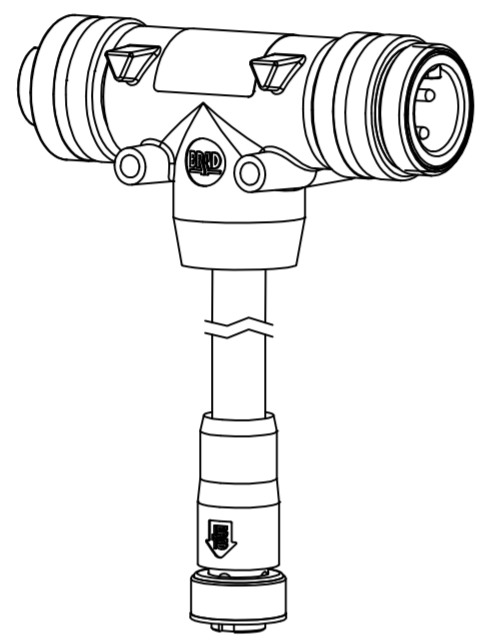
PART NO. MATRIX  
TC30200K20M010E

FINISHED LENGTH:  
M005= 0.5 METER  
M010= 1 METER  
M100= 10 METER

CABLE LENGTH TOLERANCES

<3M [1FT]:	+19mm-0 [+ .75in-0]
.3 - .9M [1 - 3FT]:	+44.5mm-0 [+1.75in-0]
.9 - 1.8M [3 - 6FT]:	+55.6mm-0 [+2.19in-0]
1.8 - 3.7M [6 - 12FT]:	+88.9mm-0 [+3.50in-0]
3.7 - 7.3M [12 - 24FT]:	+165.1mm-0 [+6.50in-0]
7.3-14.6M [24 - 48FT]:	+317.5mm-0 [+12.50in-0]
14.6 - 30.5M [48-100FT]:	+622.3mm-0 [+24.50in-0]
OVER 30M [100FT]	+2% OF FINISHED LENGTH

- NOTE:
- MATERIALS: SEE TABLE
  - FINISHES: SEE TABLE
  - ELECTRICAL DATA:  
TEE QC TO MC  
POLES: 3  
MAX. VOLTAGE: 600V AC/DC PER UL 2237  
500V AC/DC PER IEC 60664
  - CURRENT: 15A  
PROTECTION: IP67 (WHEN MATED)  
TEMPERATURE RANGE: -20°C TO 90°C
  - LABEL IS MARKED WITH P/N, DATE CODE, VOLTAGE & AMPERAGE
  - PACKAGING:  
ASSEMBLIES ARE BAGGED SEPARATELY IN POLY BAGS WITH BAR CODE LABEL ATTACHED TO THE OUTSIDE OF THE BAG.
  - ALL DIMENSIONS ARE FOR REFERENCE UNLESS TOLERANCED OR NOTED OTHERWISE



14	MC WARNING LABEL	VINYL	ORANGE/BLACK
13	LABEL	VINYL	BLACK/YELLOW
12	MC OVERMOLD	TPE	RED
11	MC SOCKET CONTACT	COPPER ALLOY	GOLD PLATED
10	MC FEMALE INSERT	TPE	BLACK
9	MC FEMALE COUPLING NUT	ZINC ALLOY	BLACK E-COAT
8	CABLE, 14/3 TYPE TC-ER	TPE	BLACK
7	QC SOCKET CONTACT	COPPER ALLOY	GOLD PLATED
6	QC FEMALE INSERT	TPE	BLACK
5	QC FEMALE COUPLING NUT	ALUMINUM	CLEAR ANODIZE
4	QC PIN CONTACT	COPPER ALLOY	GOLD PLATED
3	QC MALE INSERT	TPE	BLACK
2	QC MALE COUPLING NUT	ALUMINUM	CLEAR ANODIZE
1	TEE OVERMOLD	TPE	RED
ITEM	DESCRIPTION	MATERIAL	FINISH

FUNCTIONAL SYMBOLS: FA=0, EC=0, EP=0

DIVISIONAL SYMBOLS

THIS DRAWING CONTAINS INFORMATION THAT IS PROPRIETARY TO MOLEX ELECTRONIC TECHNOLOGIES, LLC AND SHOULD NOT BE USED WITHOUT WRITTEN PERMISSION

DIMENSION UNITS: INCH/MM, SCALE: NTS

GENERAL TOLERANCES (UNLESS SPECIFIED):

PLACES	mm	INCH
4 PLACES	±----	±----
3 PLACES	±----	±----
2 PLACES	±----	±----
1 PLACE	±----	±----
0 PLACES	±----	±----

ANGULAR TOL ± 0.5°

DRAFT WHERE APPLICABLE MUST REMAIN WITHIN DIMENSIONS

THIRD ANGLE PROJECTION

DRAWING: C-SIZE

SERIES: 130068

CURRENT REV DESC: ITEM# 1, 3, 6, 10 & 12 WERE PVC. ADDED ITEM #14 & CABLE DIA. MODIFIED MATERIAL NUMBER CHART. UPDATED IEC VOLTAGE

EC NO: 664420

DRWN: ABENJAMINLW 2021/01/12

CHK'D: RSTONE 2021/05/19

APPR: BWOODMAN 2021/05/19

INITIAL REVISION:

DRWN: RSTONE 2016/07/26

APPR: BWOODMAN 2016/08/02

DOCUMENT NUMBER: SD-130068-024

DOC TYPE/DOC PART/REVISION: PSD 001 C

MATERIAL NUMBER: SEE CHART

CUSTOMER: GENERAL MARKET

SHEET NUMBER: 1 OF 1