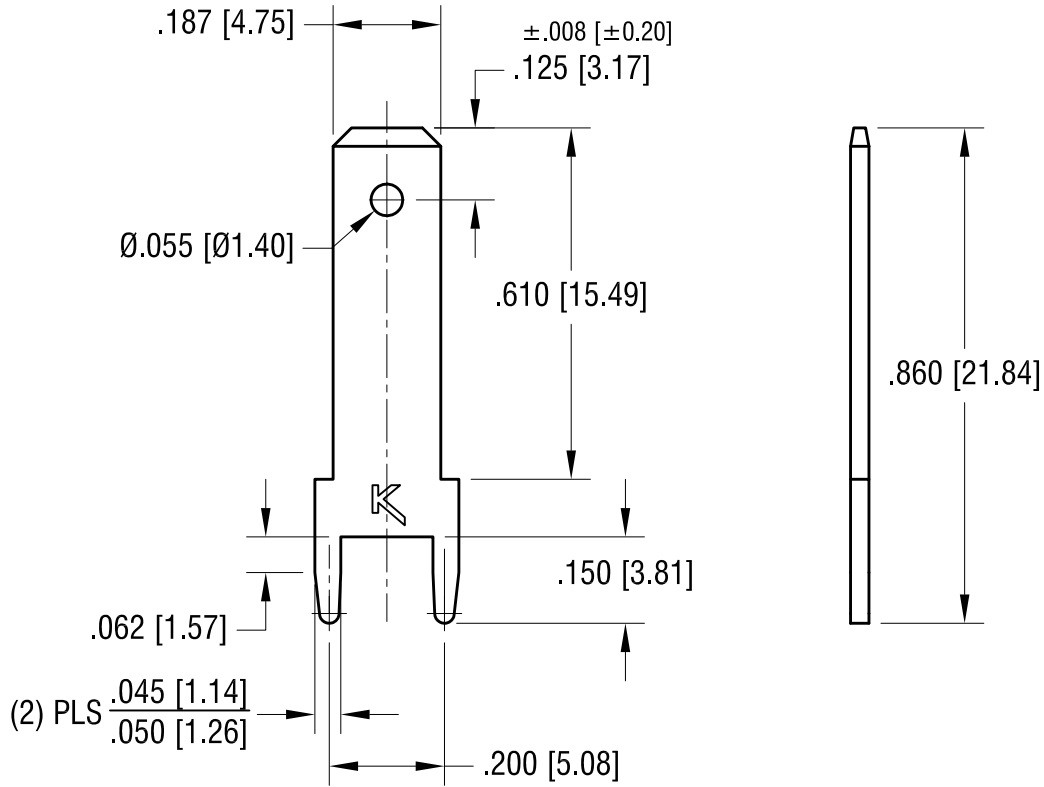



THIS DOCUMENT IS THE PROPERTY OF
KEYSTONE ELECTRONICS CORP. AND
SHALL NOT BE REPRODUCED, DISTRIBUTED
OR USED AS A BASIS FOR MANUFACTURE
WITHOUT PRIOR WRITTEN PERMISSION
FROM KEYSTONE ELECTRONICS CORP.

ACTUAL SIZE



NOTE:

1. MOUNTING HOLE SIZE: .052 [1.32] DIA.
2.  FILE NUMBER: E201546

KEYSTONE ELECTRONICS CORP.			
www.keyelco.com • ASTORIA, N.Y. 11105-2017 • Tel (718) 956-8900			
PART NAME		QUICK DISCONNECT TERMINAL	
MATERIAL		.032 [0.81] BRASS	
FINISH		DRN BY	DATE
TIN PLATE		NT	1.02.09
		APP'D	SCALE
		MR	3X
TOLERANCES	INCH [MM]	CODE	DWG NO.
DECIMAL	± .005 [± 0.15]	C	1216
ANGULAR	± 1°		
UNLESS OTHERWISE SPECIFIED			

8.30.12	CHANGE AS PER ECN 12-123	B
3.20.09	CHANGE AS PER ECN 09-018	A
DATE	DESCRIPTION	REV.