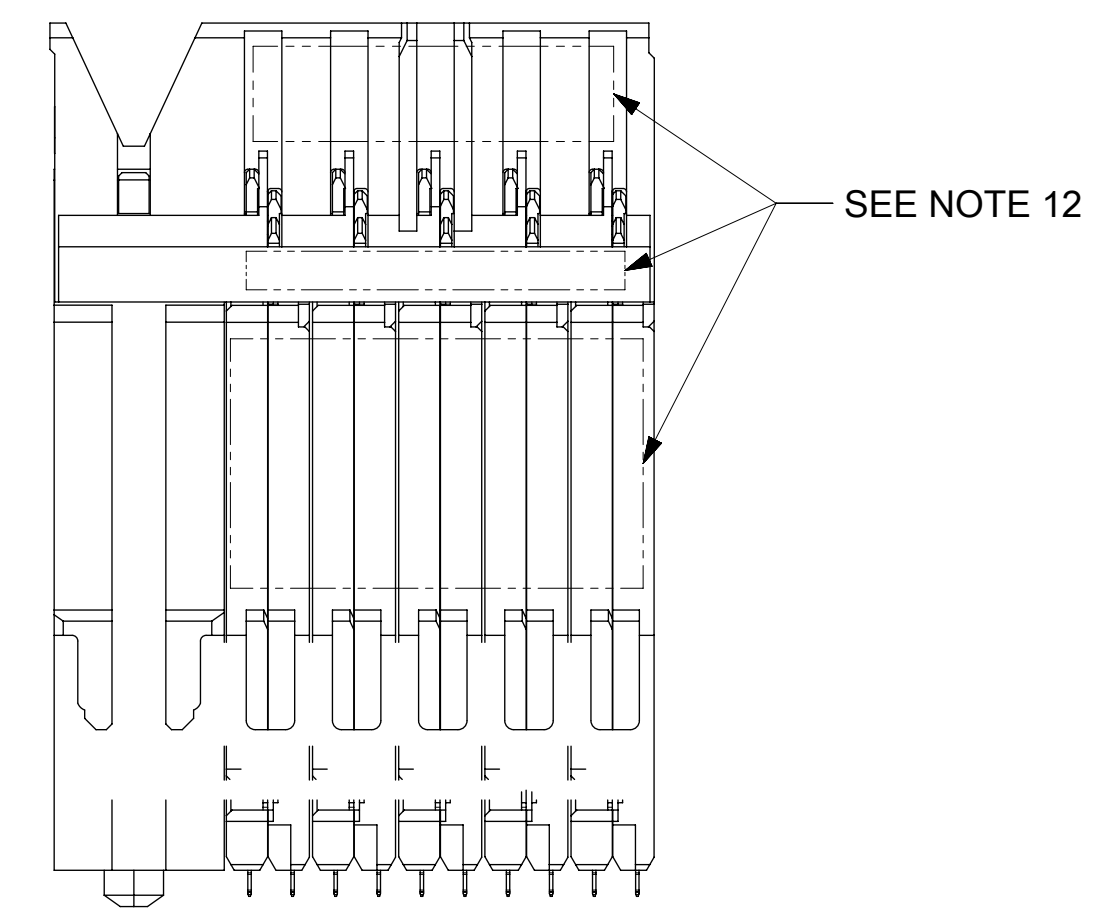
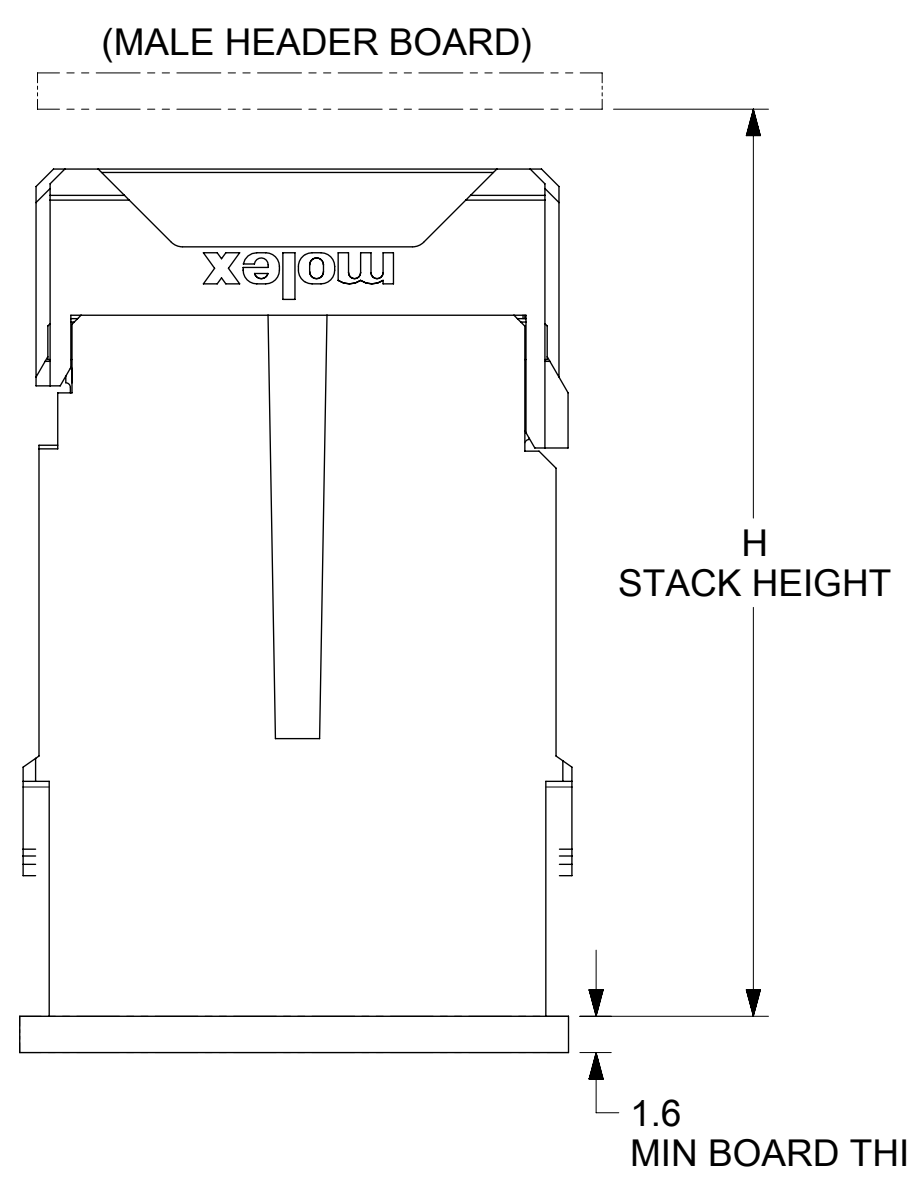
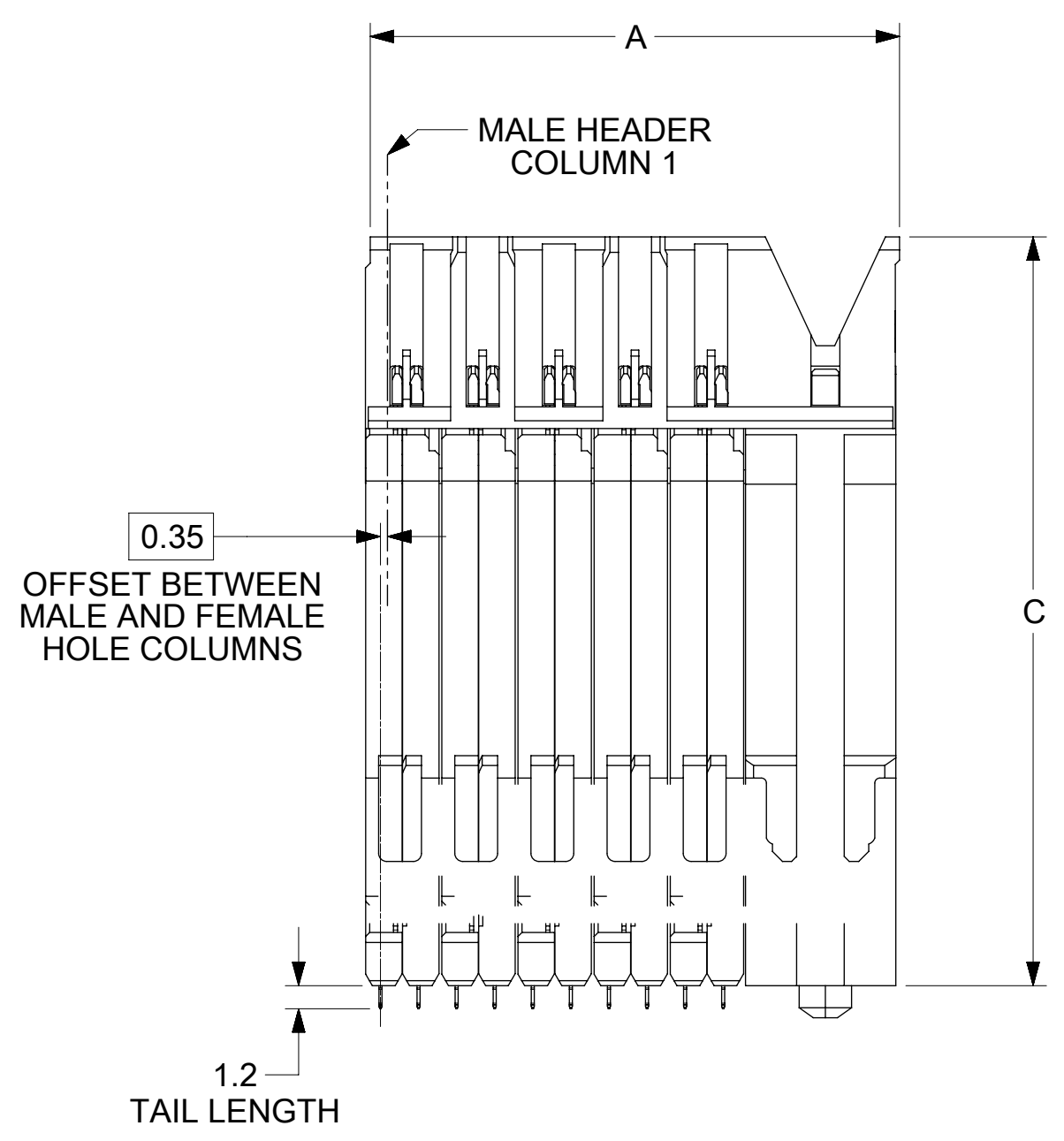


NO KEYED OPTION SHOWN



- NOTES:
1. MATERIALS: HOUSING - LIQUID CRYSTAL POLYMER (LCP), GLASS FILLED, UL94V-0  
TERMINALS - HIGH PERFORMANCE COPPER ALLOY
  2. FINISH: 30  $\mu$ in MIN SELECTIVE GOLD IN CONTACT AREA.  
SELECTIVE MATTE TIN ON PCB TAILS, NICKEL OVERALL.
  3. EACH SIGNAL WAFER CONTAINS TWO COLUMNS OF TERMINALS.
  4. PARTS SHALL BE PACKAGED IN TRAYS PER PACKAGING SPEC PK-70873-0040 (40mm)  
OR PK-70873-0043 (38mm).
  5. FOR FURTHER INFORMATION SEE PRODUCT SPECIFICATION PS-76060-999
  6. THIS PART CONFORMS TO CLASS B REQUIREMENTS OF COSMETIC SPECIFICATION  
PS-45499-002.
  7. PART SHOWN HAS AN OVERALL STACK HEIGHT OF 40mm. VARYING STACK HEIGHTS  
MAY BE AVAILABLE UPON REQUEST.
  8. REFER TO MOLEX SALES DRAWING SD-76055-003 FOR THE MATING HEADERS.
  9. REFER TO MOLEX PCB ROUTING GUIDE AS-76060-990 FOR ANTIPAD AND ROUTING  
RECOMMENDATIONS.
  10. CONNECTORS SUPPLIED WITH A MOUNTING SCREW.
  11. "THESE DIMENSIONS REPRESENT THE AREA NEEDED TO ACCOMMODATE CONNECTOR  
INSERTION & REPAIR ON THE PC BOARD. THIS IS REFERRED TO AS THE  
"CONNECTOR KEEP OUT ZONE" AND DOES NOT REPRESENT THE ACTUAL PERIMETER  
OF THE CONNECTOR. WHEN LAYING OUT A PC BOARD WITH CONNECTORS STACKED  
TOGETHER, USE A 1.90mm PROGRESSION."
  12. MARKING: LOCATED APPROXIMATELY AS SHOWN. PART NUMBER AND DATE CODE.

THIS DRAWING CONTAINS INFORMATION THAT IS PROPRIETARY TO MOLEX ELECTRONIC TECHNOLOGIES, LLC AND SHOULD NOT BE USED WITHOUT WRITTEN PERMISSION													
DIMENSION UNITS		SCALE		CURRENT REV DESC: REMASTERED TO NX									
mm		NTS											
GENERAL TOLERANCES (UNLESS SPECIFIED)				<b>IMPACT 5-PAIR</b> <b>VERTICAL MEZZANINE RIGHT GUIDED SALES DWG</b>  <b>PRODUCT CUSTOMER DRAWING</b>									
ANGULAR TOL $\pm$ 0.5°													
4 PLACES		$\pm$								EC NO: 705090		2018/03/16	
3 PLACES		$\pm$								DRWN: CCV		2022/03/07	
2 PLACES		$\pm$ 0.13								CHK'D: DYARAS		2022/05/13	
1 PLACE		$\pm$ 0.25								APPR: LZENG		2022/05/13	
0 PLACES		$\pm$		INITIAL REVISION:				DOCUMENT NUMBER					
				DRWN: JJONIAK		2009/04/09		SD-76530-004					
				APPR: JLAURX		2009/04/17		DOC TYPE   DOC PART   REVISION					
				DRAFT WHERE APPLICABLE MUST REMAIN WITHIN DIMENSIONS		THIRD ANGLE PROJECTION		MATERIAL NUMBER					
						DRAWING		CUSTOMER					
				C-SIZE		SERIES		GENERAL MARKET					
				76530				SHEET NUMBER					
								1 OF 2					

DOCUMENT STATUS	P1	RELEASE DATE	2022/05/13	03:06:37
-----------------	----	--------------	------------	----------

PART NUMBER	# OF COLUMNS	# OF DIFF PAIR	DIM "A"	DIM "B"	DIM "C"	STACK HEIGHT (H)
76530-**30	10	50	26.6	17.10	35.36	38.00
76530-**32	12	60	30.4	20.90	35.36	38.00
76530-**37	14	70	34.2	24.70	35.36	38.00
76530-**36	16	80	38.0	28.50	35.36	38.00
76530-**40	10	50	26.6	17.10	37.36	40.00
76530-**42	12	60	30.4	20.90	37.36	40.00
76530-**47	14	70	34.2	24.70	37.36	40.00
76530-**46	16	80	38.0	28.50	37.36	40.00

76530-\*\*\*\*

MODULE & TAIL PLATING TYPE  
5 = RIGHT GUIDED LEAD-FREE

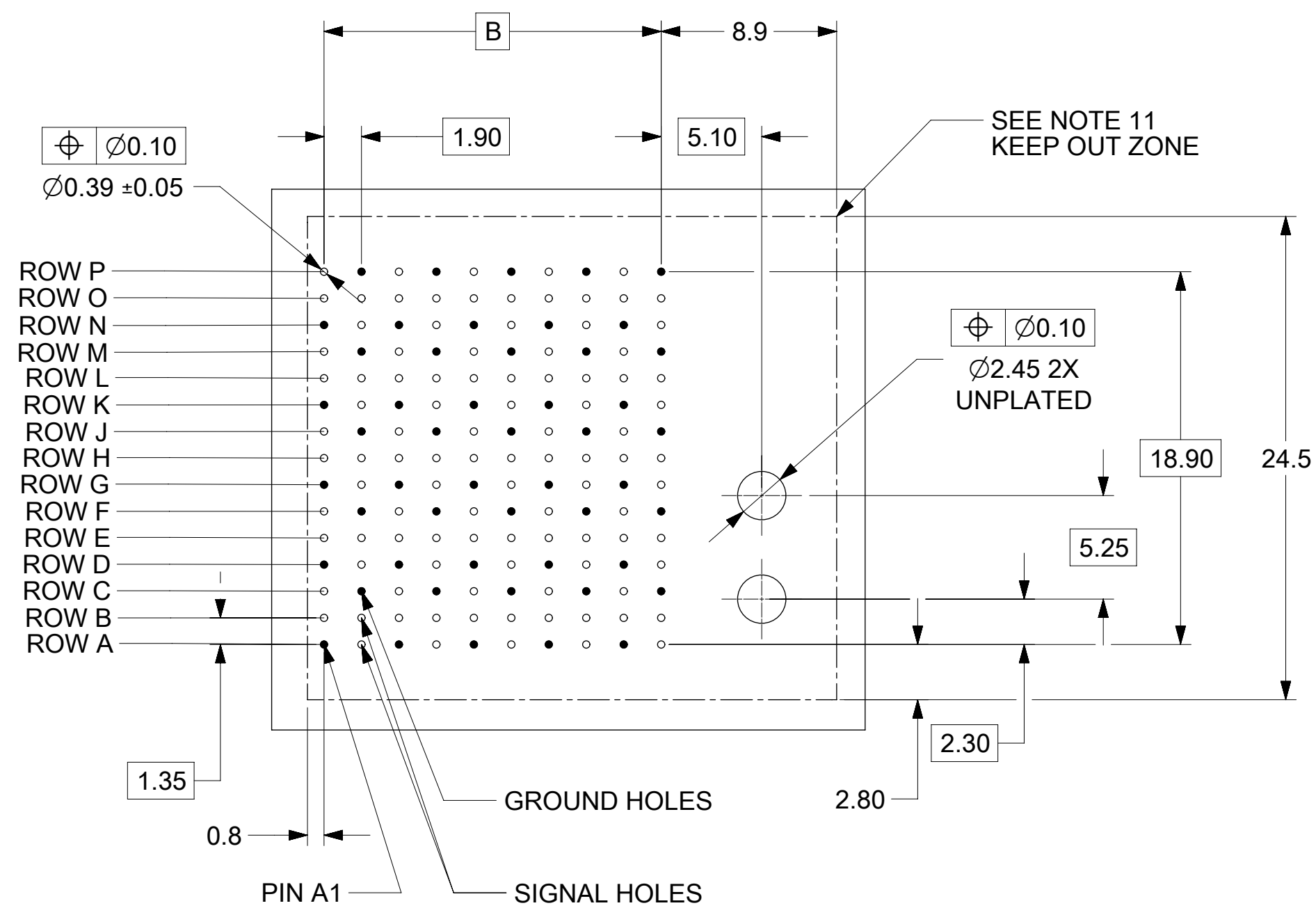
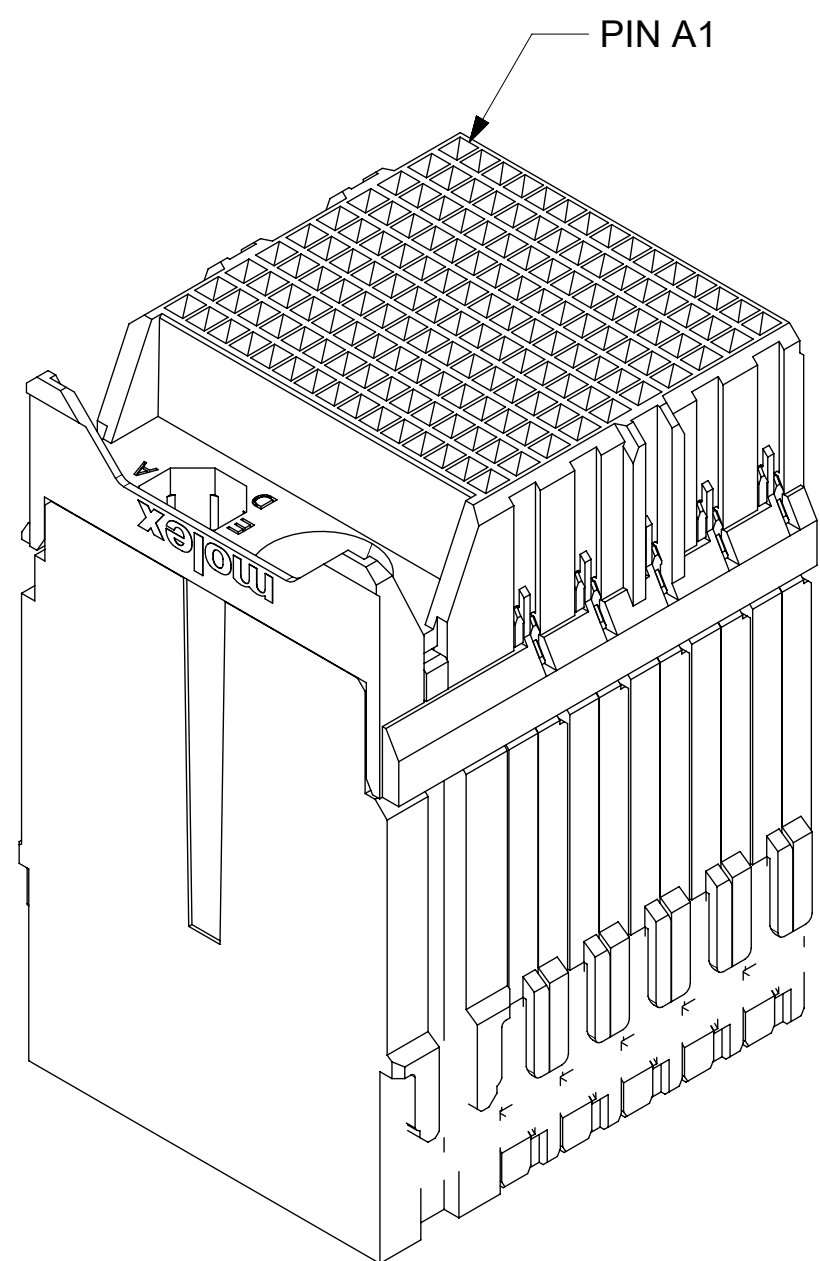
# OF COLUMNS  
0 = 10 COL MICRO COMPLIANT  
2 = 12 COL MICRO COMPLIANT  
6 = 16 COL MICRO COMPLIANT  
7 = 14 COL MICRO COMPLIANT

POLARIZATION KEY ORIENTATION

0 = NO KEY  
1 = A 5 = E  
2 = B 6 = F  
3 = C 7 = G  
4 = D 8 = H

STACK HEIGHT  
3 = 38mm  
4 = 40mm

10 COLUMN  
40 MM STACK HEIGHT



VERTICAL FEMALE HOLE PATTERN  
(CONNECTOR SIDE)

THIS DRAWING CONTAINS INFORMATION THAT IS PROPRIETARY TO MOLEX ELECTRONIC TECHNOLOGIES, LLC AND SHOULD NOT BE USED WITHOUT WRITTEN PERMISSION											
DIMENSION UNITS		SCALE		CURRENT REV DESC: REMASTERED TO NX							
mm		NTS									
GENERAL TOLERANCES (UNLESS SPECIFIED)				EC NO: 705090				2018/03/16			
ANGULAR TOL ± 0.5°				DRWN: CCV				2022/03/07			
4 PLACES ±				CHK'D: DYARAS				2022/05/13			
3 PLACES ±				APPR: LZENG							
2 PLACES ± 0.13				INITIAL REVISION:							
1 PLACE ± 0.25				DRWN: JJONIAK				2009/04/09			
0 PLACES ±				APPR: JLAURX				2009/04/17			
DRAFT WHERE APPLICABLE MUST REMAIN WITHIN DIMENSIONS		THIRD ANGLE PROJECTION		DRAWING		SERIES		MATERIAL NUMBER		CUSTOMER	
				C-SIZE		76530		SEE TABLE		GENERAL MARKET	
DOCUMENT STATUS		P1		RELEASE DATE		2022/05/13 03:06:37		DOCUMENT NUMBER		DOC TYPE   DOC PART   REVISION	
								SD-76530-004		PSD   001   H4	
DOCUMENT NUMBER		CUSTOMER		SHEET NUMBER							