



FEATURES

- VariColour filter blocked warning system
- Highest grade HEPA and carbon technology
- Automatic electronic flow control - maintains a constant extraction rate even as the filter blocks
- Quiet in operation
- Simple to install and easy to relocate

SPECIFICATIONS

Voltage	230v	120v
Part Number	072115	072116
Wattage	0.32kW	0.32kW
Frequency	50Hz / 60Hz	50Hz / 60Hz
Cabinet Height	493mm	493mm
Cabinet Width	308mm	308mm
Cabinet Depth	330mm	330mm
Cabinet Weight	14kg	14kg
Sound Level	<60dBa	<60dBa
Airflow	100 CFM	100 CFM

INCLUDED AS STANDARD...

FILTERS



**Main Filter
Code**
110507

Description
HEPA/Chemical



**Pre-filter
Code**
111124

Description
F8/F9 Labyrinth

Find out more:

 www.purex.co.uk

 purex@purex.co.uk

 **+44 (0)1405 746030**

CONNECTION KIT

*Connection kit is included
see overleaf for options*

OPTIONS

Main Filter

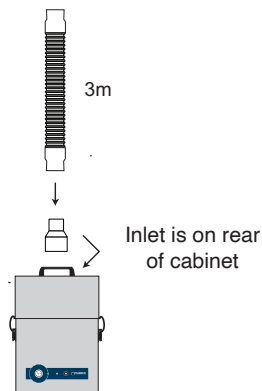
Code:
110504

Description:
Chemical

Connection Kits

Hose Kit

Code: 100032 x 1

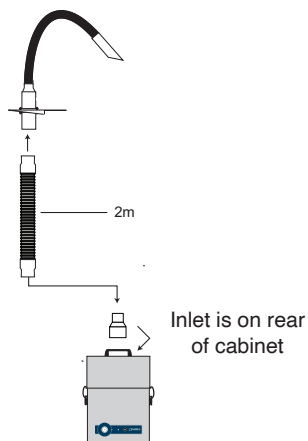


Includes:
3m x 50mm flexible hose
2 x connecting cuffs



38mm Single Arm Kit

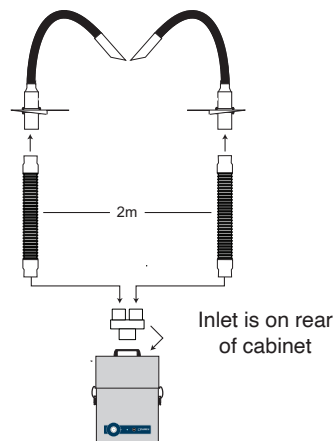
Code: 100295 x 1 *or*
Code: 100294 x 1
and
Code: 550287 x 1



100295 - Clamped bench bracket arm kit
100294 - Screwed bench bracket arm kit
550287 - 80mm - 51mm reducer

38mm Dual Arm Kit

Code: 100295 x 1 *or*
Code: 100294 x 1
and
Code: 120093C x 1



100295 - Clamped bench bracket arm kit
100294 - Screwed bench bracket arm kit
120093C - Dual inlet manifold

100295

Includes:
1 x 2m x 50mm flexible hose
2 x connecting cuffs
1 x 38mm stainless steel flexible arm with valve
1 x 95mm conical cowl
1 x 38mm pen nib
1 x clamped bench bracket



Replacement Arms

Code:
120128

Description:
38mm x 1.5m flexible stainless steel arm

38mm

120129

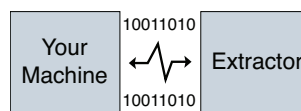
38mm x 0.75m flexible stainless steel arm

120199

38mm x 0.5m flexible stainless steel arm



Interfacing



Interfacing can remotely start the Purex machine when the connected machine starts.

Interfacing can also warn the connected machine when the Purex machine is in alarm.

Take a look through our Interfacing Guide to see our extensive range of options



Purex International Limited
QWP House, Island Drive
Capitol Park, Thorne
Doncaster, UK
DN8 5UE