

6

5

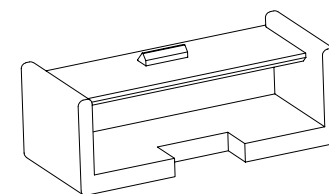
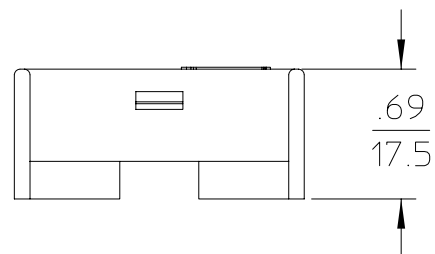
4

3

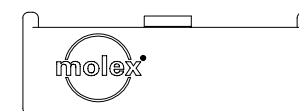
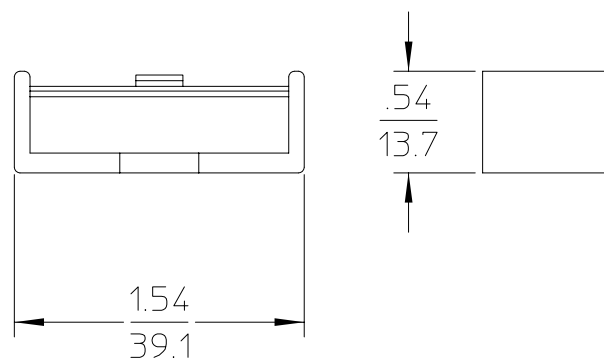
2

19045

D



C



B

## NOTES:

1.) MATERIAL: THERMOPLASTIC (COLOR: NATURAL)

A

EC NO: ETC2002-0380 DRWN: BRUPERT 2002/06/13 CHKD: 2002/06/13 APPR: RDEROSS 2002/06/13	QUALITY SYMBOLS  	GENERAL TOLERANCES (UNLESS SPECIFIED)		SCALE 1:1	DESIGN UNITS INCH	THIRD ANGLE PROJECTION	REVISE ON CAD ONLY	
			mm	INCH	DIMENSION STYLE IN/MM		TITLE	
		4 PLACES ± ---	± ---	± ---	DRAWN BY B.RUPERT	DATE 06/13/02	CUSTOMER DRAWING	
		3 PLACES ± ---	± ---	± ---	CHECKED BY R.DEROSS	DATE 06/13/02	SAFETY CAP	
2 PLACES ± ---	± ---	± .02	ANGULAR ±1/2°		FOR SC POWER CONNECTORS			
1 PLACE ± 0.5	± ---	± ---	DRAFT WHERE APPLICABLE MUST REMAIN WITHIN DIMENSIONS		Molex MOLEX INCORPORATED			
REV	DESCRIPTION			APPROVED BY R.DEROSS	DATE 06/13/02	MATERIAL NO. 190453180	DOCUMENT NO. SD-19045-101	
				THIS DRAWING CONTAINS INFORMATION THAT IS PROPRIETARY TO MOLEX INCORPORATED AND SHOULD NOT BE USED WITHOUT WRITTEN PERMISSION		SHEET NO. 1 OF 1	A	