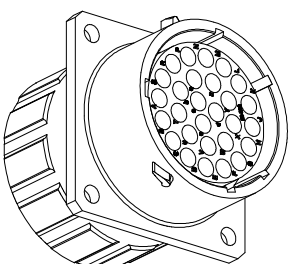
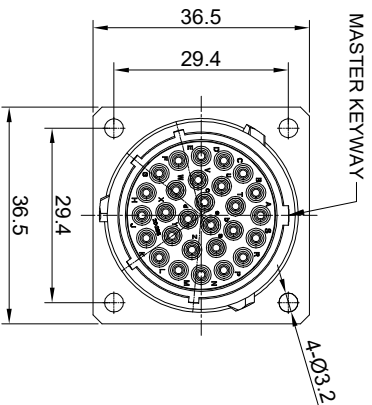
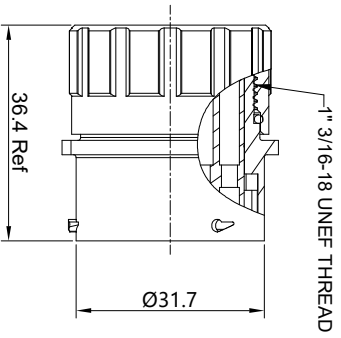


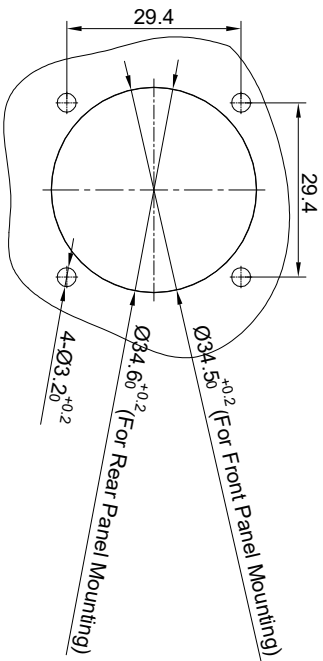
REVISIONS					
REV	ECO	DESCRIPTION	DATE	BY	APPR
B1	-	RELEASED DRAWING	NOV-23-2014	BEN	TOMMY
B2	-	UPDATE RATED VOLTAGE	OCT-28-2022	JUN	TOMMY
B3	-	UPDATE RATED CURRENT	May-3-2023	JUN	TOMMY



NOTES: (UNLESS OTHERWISE SPECIFIED)

- MATERIAL:  
SHELL: ZINC ALLOY, NICKEL PLATED.  
INSERT: THERMOPLASTIC, UL94 V-0.  
END CAP: THERMOPLASTIC, UL94 V-0.  
PLASTIC BUSHING: THERMOPLASTIC, UL94 V-0.  
SEAL GASKET: NBR/SILICONE RUBBER.  
O-RING: NBR/SILICONE RUBBER.  
WIRE SEAL: SILICONE RUBBER.
- SPECIFICATIONS:  
2.1 RATED CURRENT: 3A (MAX).  
2.2 RATED VOLTAGE: 500V (AC/DC).  
2.3 OPERATING TEMPERATURE: SEE CHART.  
2.4 DIELECTRIC WITHSTANDING VOLTAGE: LESS THAN 2 MILLIAMPS CURRENT LEAKAGE@2000 VOLTS AC.  
2.5 INSULATION RESISTANCE: 5000 MEGOHMS MIN.  
2.6 IP-CLASS: IP67.  
2.7 MATING CYCLES DURABILITY: 500 CYCLES MIN.  
2.8 ROHS COMPLIANT.
- SUITABLE CONTACTS: 16# CONTACTS.
- ALL DIMENSIONS ARE FOR REFERENCE USE ONLY.
- CONTACT SIZE AND REAR SEAL WIRE RANGE:

CONTACT SIZE	MIN. INSUL. O.D.	MAX. INSUL. O.D.	WIRE RANGE
16#	Ø2.0mm	Ø3.2mm	14 - 24AWG



PANEL CUT OUT REFERENCE

KEY POS	PART NUMBER	
	40°C ~ 105°C	40°C ~ 125°C
N	RT002028SNHEC	RT002028SNHECC03
W	RT002028SWHEC	RT002028SWHECC03
X	RT002028SXHEC	RT002028SXHECC03
Y	RT002028SYHEC	RT002028SYHECC03
Z	RT002028SZHEC	RT002028SZHECC03

QUANTITY	PART NUMBER	DESCRIPTION	ITEM
	SEE PART NUMBER CHART		

UNLESS OTHERWISE SPECIFIED	SIGNATURES	DATE	DESCRIPTION
1) All dimensions are in metric (mm). 2) For DEC 30 2014 to DEC 31 2014, Angles 31° 3) Note reference = $\Delta$	DRAWN: <b>JM</b> CHECKED: <b>JP</b> ENGINEER: APPROVAL: <b>TOMMY</b>	May-3-2023 May-3-2023 May-3-2023 May-3-2023	

PROCESS SPECIFICATIONS:	CUSTOMER	SIZE	SCALE
NEXT ASSY:	THIS DRAWING IS SPECIFIED FOR INFORMATION ONLY. DESIGN FEATURES, SPECIFICATIONS AND PERFORMANCE DATA ARE THE PROPERTY OF AMPHENOL CORPORATION. NO RIGHTS OF REPRODUCTION ARE MADE. ALL MANUFACTURING VARIATIONS	<b>B</b> C-	NONE

**Amphenol**

Sine Systems - [www.amphenol-sine.com](http://www.amphenol-sine.com)  
44724 Morley Drive  
Clinton Township, MI 48036

EcoMate Aquarius RECEPTACLE,  
SIZE 20, 28 POS, SOCKET END CAP.

DWG NO. **RT002028S\*HEC\***

REVISION **B3**