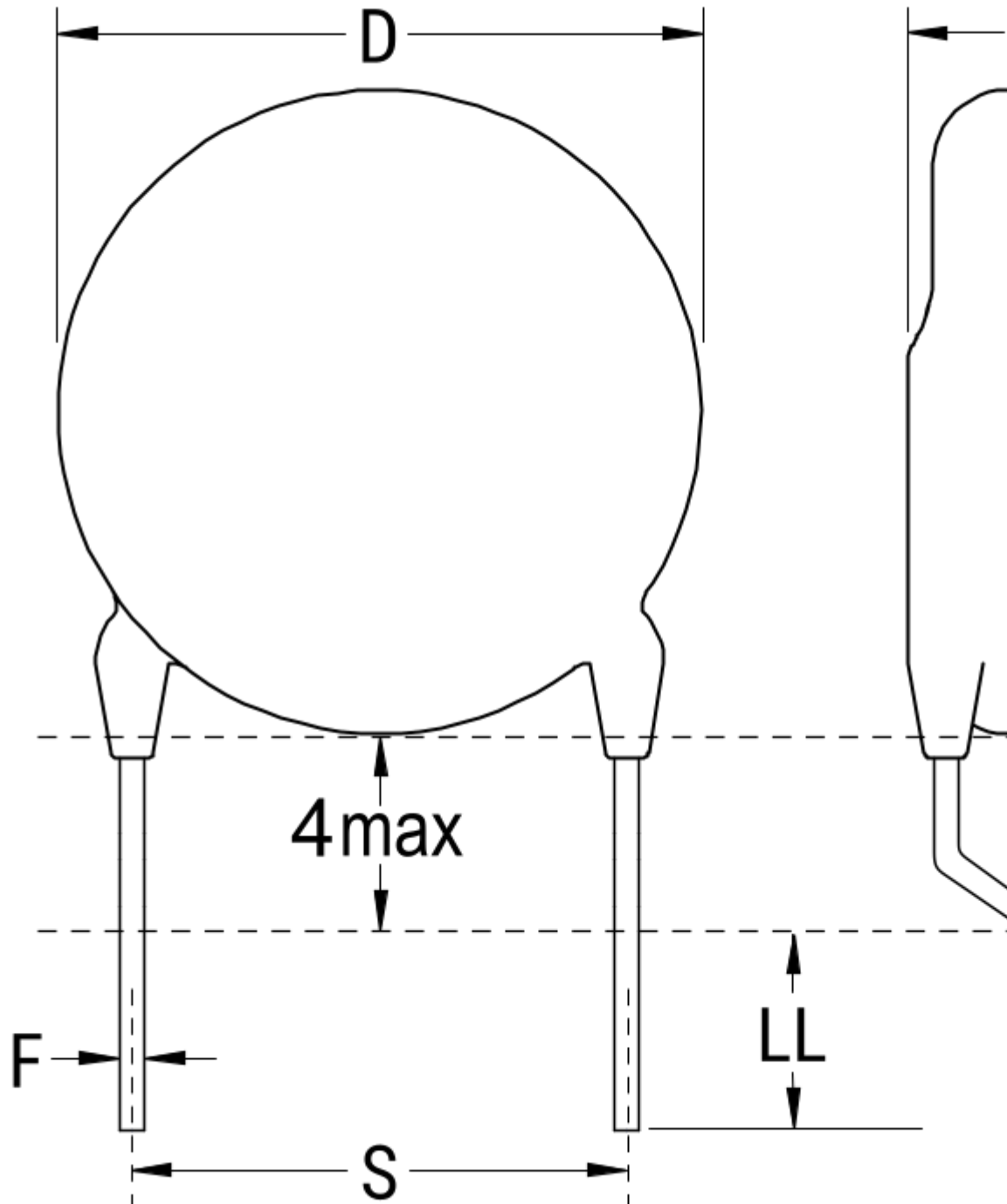


# C901U120JZSDBAWL30

Not for New Design

C900AC SFTY X1-440 Y2-300, Ceramic, 12 pF, 5%, 440 VAC (X1), 300 VAC (Y2), SL, Lead Spacing = 10mm



Click [here](#) for the 3D model.

## Dimensions

D 7mm MAX

T 5mm MAX

### Dimensions

S 10mm +/-1mm

LL 3mm +/-1mm

F 0.55mm +/-0.1mm

### Packaging Specifications

Packaging Bulk, Bag

Packaging Quantity 500

### General Information

Series C900AC SFTY X1-440 Y2-300

Style Radial Disc

RoHS Yes

Termination Tin

Failure Rate N/A

Qualifications UL, ENEC, VDE, CSA, CAN

AEC-Q200 No

Halogen Free Yes

Component Weight 400 mg

### Specifications

Capacitance 12 pF

Capacitance Tolerance 5%

Voltage AC 440 VAC (X1), 300 VAC (Y2)

Dielectric Withstanding Voltage 2600 VDC

Temperature Range -40/+125°C

Temperature Coefficient SL

Insulation Resistance 10 GOhms

Quality Factor 640

Safety Class X1/Y2

Statements of suitability for certain applications are based on our knowledge of typical operating conditions for such applications, but are not intended to constitute - and we specifically disclaim - any warranty concerning suitability for a specific customer application or use. This Information is intended for use only by customers who have the requisite experience and capability to determine the correct products for their application. Any technical advice inferred from this Information or otherwise provided by us with reference to the use of our products is given gratis, and we assume no obligation or liability for the advice given or results obtained.

Generated 5/18/2023 - e189ac0c-8c6e-4f6e-b88d-cbc733961c8d

© 2006 - 2023 KEMET

Generated 5/18/2023 - e189ac0c-8c6e-4f6e-b88d-cbc733961c8d

© 2006 - 2023 KEMET