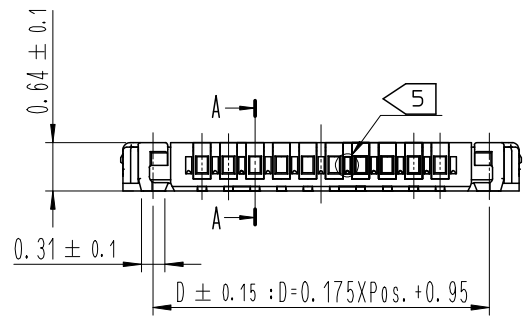
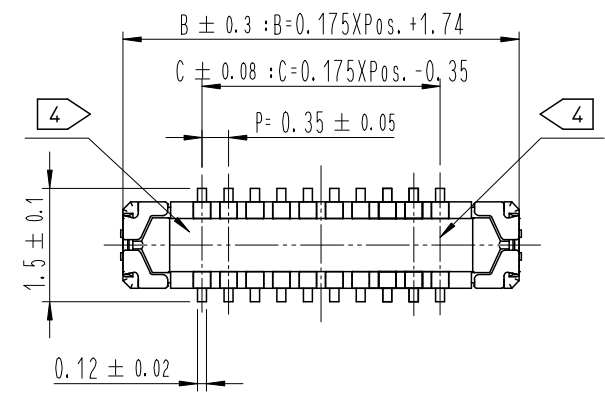


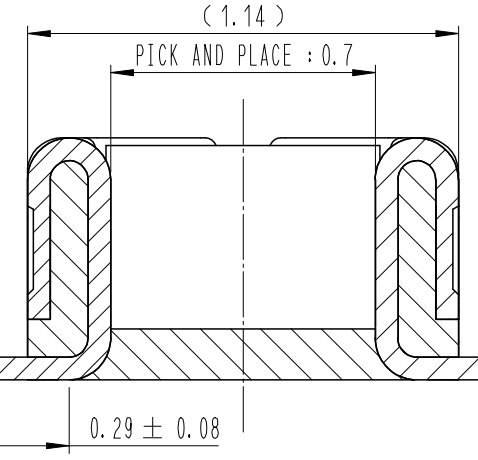
Jul.1.2019 Copyright 2019 HIROSE ELECTRIC CO., LTD. All Rights Reserved.
In case of consideration for using Automotive equipment / device which demand high reliability, kindly contact our sales window correspondents.

DRAWING FOR REFERENCE
This is subject to change without notice

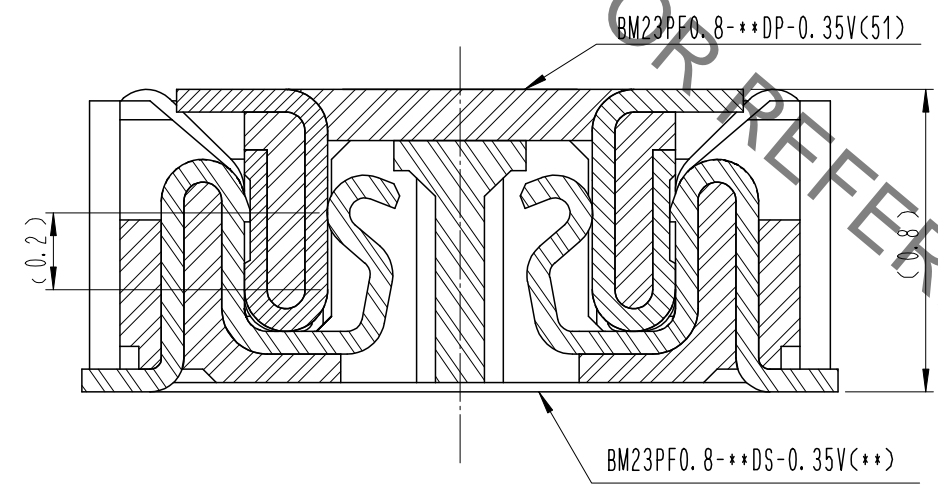
COUNT	DESCRIPTION OF REVISIONS	B	Y	CHKD	DATE	COUNT	DESCRIPTION OF REVISIONS	B	Y	CHKD	DATE
2	RE-6-0742			LYJ	JHW	16.09.27					
3	RE-6-0806			MSH	JHW	17.01.05					



A:A(50:1)



ENGAGEMENT FIGURE (50:1)



△ PART No.	CODE No.	POS.	B	C	D
BM23PF0.8-10DP-0.35V(51)	-	10	3.49	1.40	2.70
BM23PF0.8-14DP-0.35V(51)	-	14	4.19	2.10	3.40
BM23PF0.8-20DP-0.35V(51)	-	20	5.24	3.15	4.45
BM23PF0.8-24DP-0.35V(51)	-	24	5.94	3.85	5.15
BM23PF0.8-40DP-0.35V(51)	-	40	8.74	6.65	7.95
BM23PF0.8-42DP-0.35V(51)	-	42	9.09	7.00	8.30
BM23PF0.8-46DP-0.35V(51)	-	46	9.79	7.70	9.00
BM23PF0.8-54DP-0.35V(51)	-	54	11.19	9.10	10.40

- NOTE
- 1. ALL LEAD CO-PLANARITY SHALL BE 0.08mm MAX.
 - 2. CONTACT PLATING SPECIFICATIONS.
 CONTACT AREA : GOLD 0.05 μm MIN.
 SMT LEAD : GOLD 0.05 μm MIN.
 UNDER PLATING : NICKEL 1 μm MIN.
 (SURFACE : SEALING)
 - 3. METAL FITTING PLATING SPECIFICATIONS.
 SMT LEAD : GOLD 0.05 μm MIN.
 UNDERPLATING : NICKEL 1 μm MIN.
 (SURFACE : SEALING)
 - 4. HRS MARK AND CAV No. ARE INDICATED IN APPROX POSITION SHOWN.
 - 5. A PART OF THE WALL COULD BE NOTCHED.

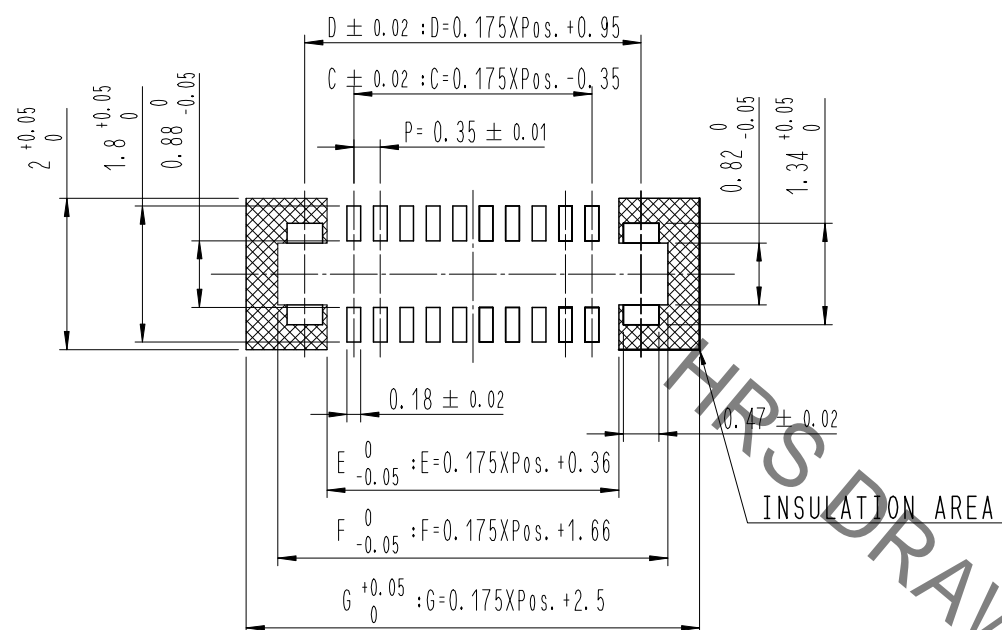
NO.	MATERIAL	FINISH , REMARKS	NO.	MATERIAL	FINISH , REMARKS
4	PS	CLEAR (EMBOSSED CARRIER TAPE)			
3	△ COOPER ALLOY	3	7	PS	CLEAR (REINFORCEMENT COLLAR)
2	△ COOPER ALLOY	2	6	PS	BLACK (PLASTIC REEL)
1	LCP	UL94 V-0, BLACK	5	POLYESTER	CLEAR (COVER TAPE)

REMARKS	DRAWN	DESIGNED	CHECKED	APPROVED	RELEASED
	Y. J. LEE	Y. J. LEE	H. W. JO	T. S. KANG	15.11.23
	15.11.23	15.11.23	15.11.23	15.11.23	15.11.23

CODE NO. (OLD)	DRAWING NO. EDC3-*****	PART NO. BM23PF0.8-**-DP-0.35V(51)
SCALE 10:1	HRS HIROSE KOREA CO., LTD.	CODE NO. CL 66**-*****-***
UNITS mm		1/3

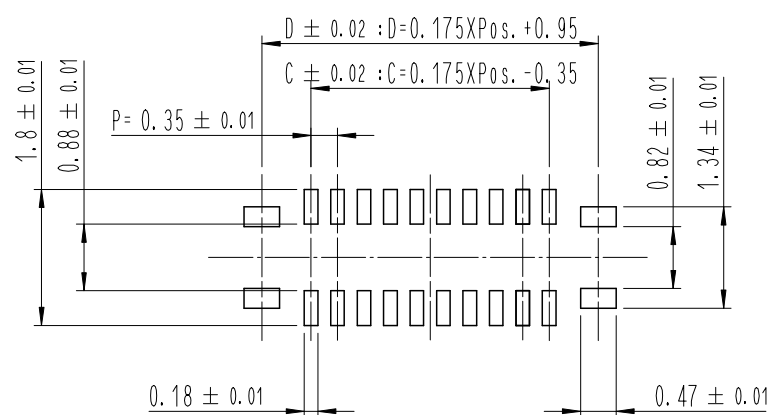
Jul.1.2019 Copyright 2019 HIROSE ELECTRIC CO., LTD. All Rights Reserved.
In case of consideration for using Automotive equipment / device which demand high reliability, kindly contact our sales window correspondents.

7 > RECOMMENDED PCB LAYOUT



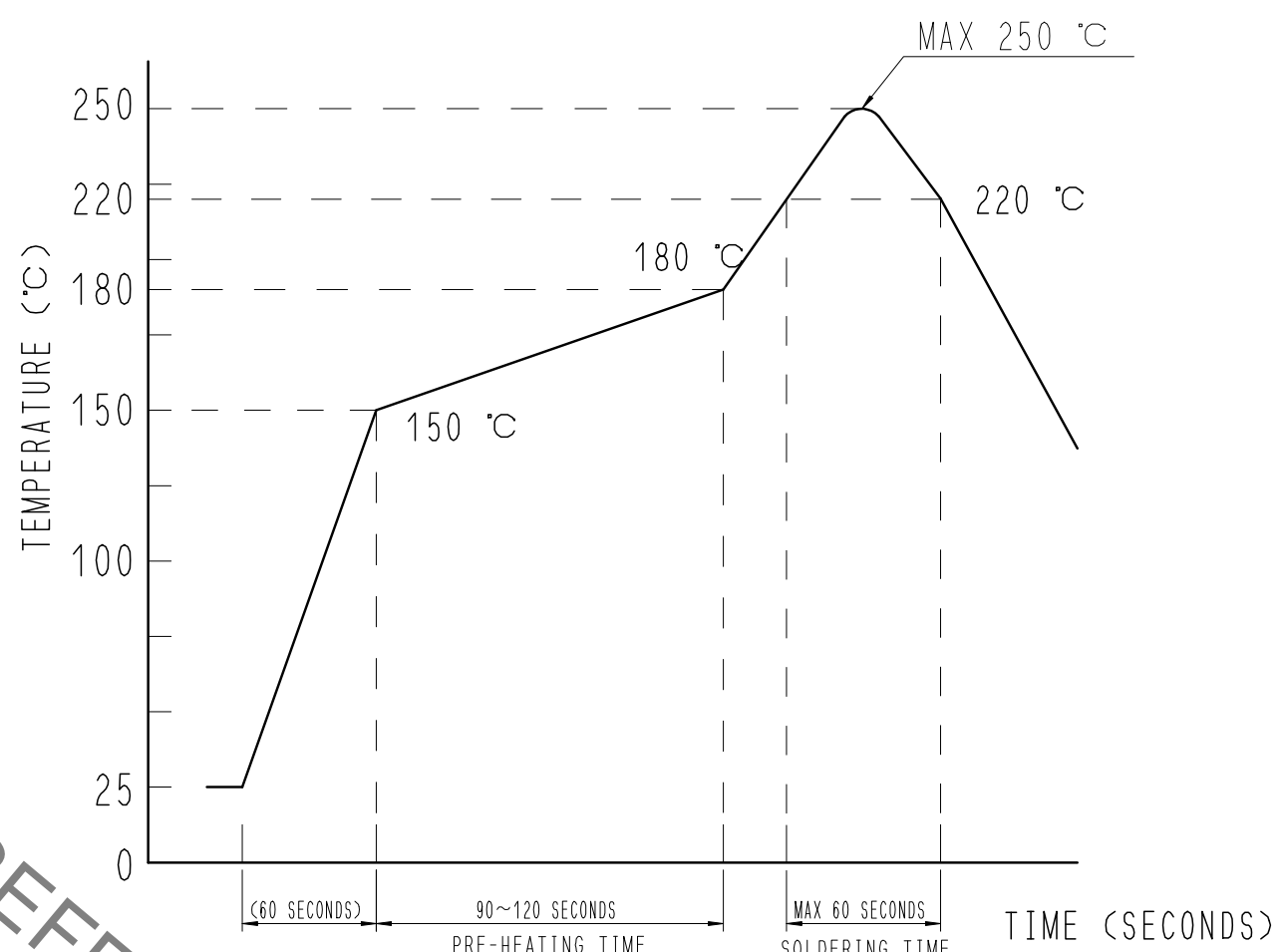
RECOMMENDED METAL MASK DIMENSIONS

METAL MASK THICKNESS : 100 μm



△ POS.	C	D	E	F	G
10	1.40	2.70	2.11	3.41	4.25
14	2.10	3.40	2.81	4.11	4.95
20	3.15	4.45	3.86	5.16	6.00
24	3.85	5.15	4.56	5.86	6.70
40	6.65	7.95	7.36	8.66	9.50
42	7.00	8.30	7.71	9.01	9.85
46	7.70	9.00	8.41	9.71	10.55
54	9.45	10.75	10.16	11.46	12.30

6 > RECOMMENDED REFLOW TEMPERATURE PROFILE USING LEAD-FREE SOLDER PASTE.



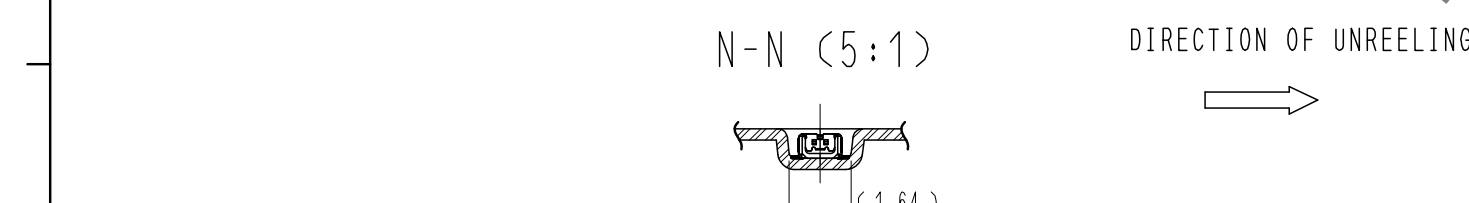
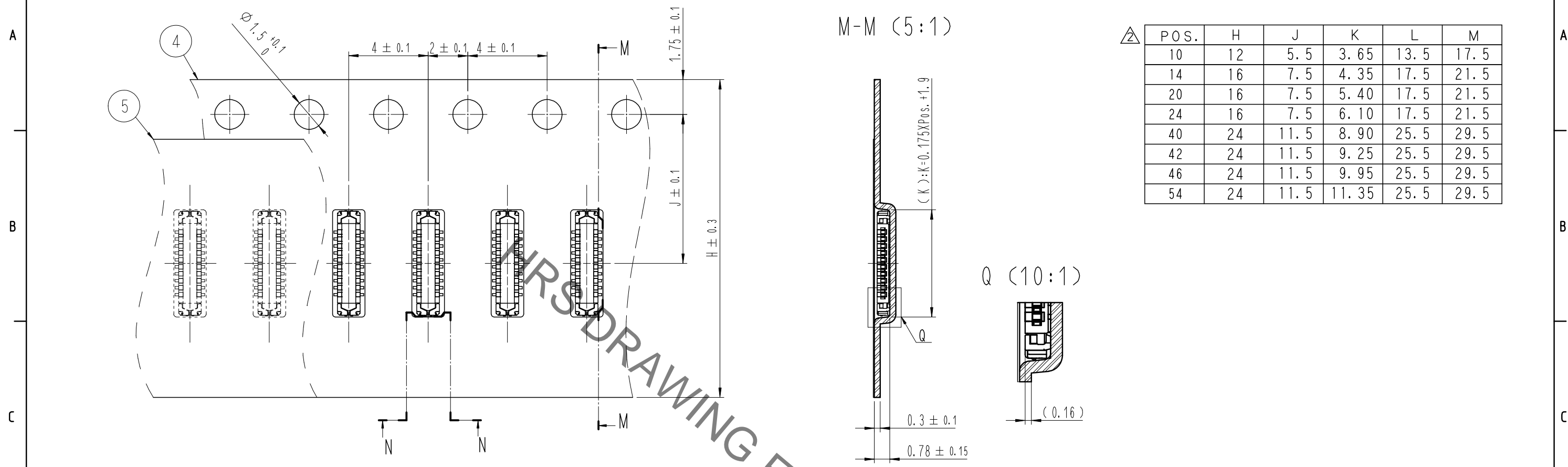
REFLOW METHOD: IR REFLOW
 NUMBER OF REFLOW CYCLES: 2 CYCLES MAX.
 1) REFLOW TIME
 DURATION ABOVE 220°C: 60 SEC MAX.
 (PEAK TEMPERATURE: 250°C MAX)
 2) PRE-HEAT TIME
 PRE-HEAT TEMPERATURE (MIN): 150°C
 PRE-HEAT TEMPERATURE (MAX): 180°C
 PRE-HEAT TIME: 90-120 SEC.

- 6 > THIS TEMPERATURE PROFILE IS PER THE CONDITIONS SHOWN ABOVE. ADDITIONAL FACTORS, SUCH AS SOLDER PASTE TYPE, PCB SIZE AND OTHER MOUNTED COMPONENTS COULD AFFECT THE PROFILE, THEREFORE, A THOROUGH EVALUATION OF MOUNTING CONDITION IS REQUIRED PRIOR TO PRODUCTION. TEMPERATURE IS MEASURED AT CONTACT LEAD.
- 7 > PLEASE CONTACT US IN CASE YOU WILL MAKE DIFFERENT SETTINGS FROM OUR RECOMMENDATION.

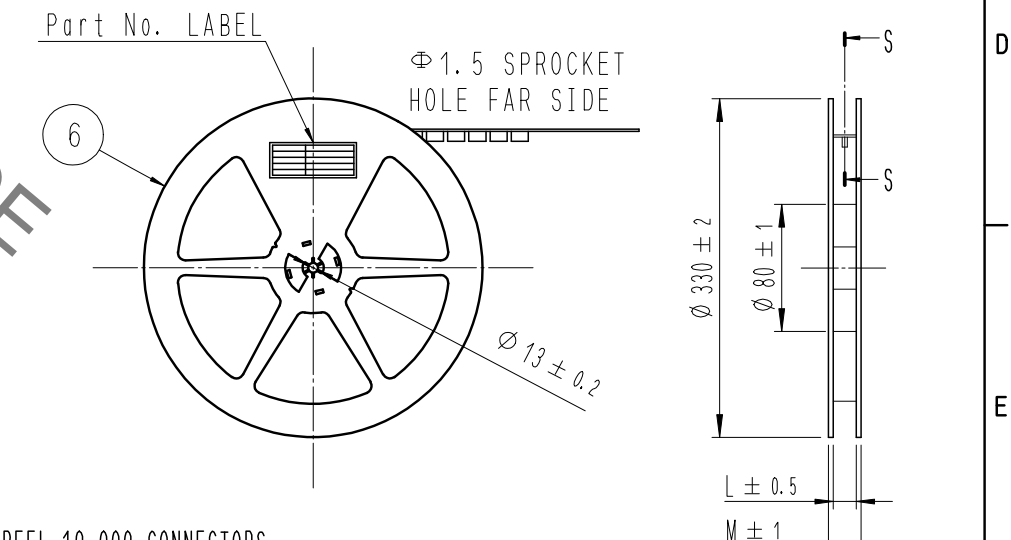
	DRAWING NO.	EDC3-*****	PART NO.	BM23PF0.8-***DP-0.35V(51)
	SCALE	10:1	CODE NO	CL 66**-*****-***
UNITS	mm			2/3

Jul.1.2019 Copyright 2019 HIROSE ELECTRIC CO., LTD. All Rights Reserved.
 In case of consideration for using Automotive equipment / device which demand high reliability, kindly contact our sales window correspondents.

EMBOSED CARRIER TAPE PACKAGING (5:1)

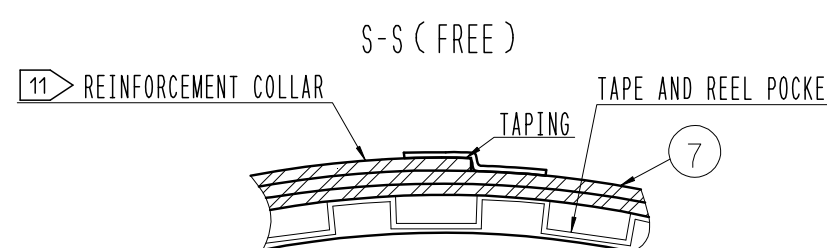


STYLE AND DIMENTION OF REEL (FREE)

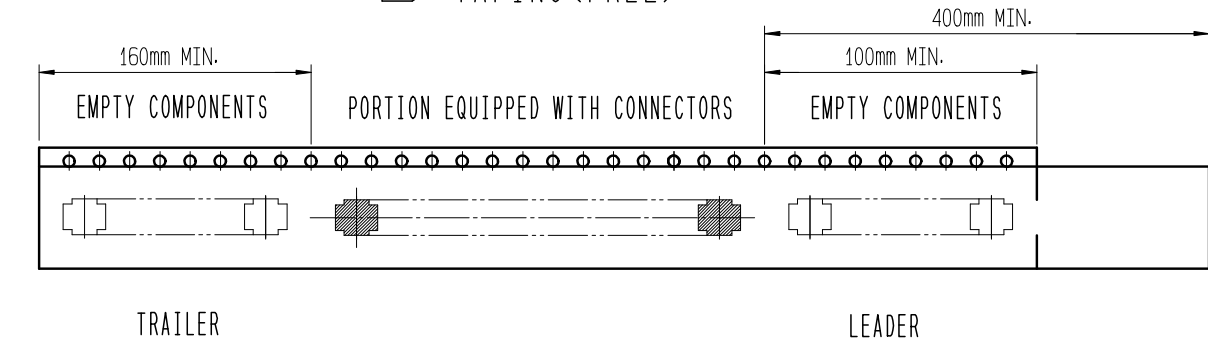


DETAIL OF PART No. LABEL

SUPPLIER	QUANTITY	PART NO.	CODE NO.	DATE OF MANUFACTURED
生産月日	年月日	図番	** ** *	
品名	BM23PF0.8-**-DP-0.35V(51)	納入数量	10,000個	納入者
			HIROSE KOREA	



10 TAPING(FREE)



- 8 . PER REEL 10,000 CONNECTORS.
- 9 . THE DIMENSIONS IN PARENTHESES ARE FOR REFERENCE.
- 10 REFER TO JIS C 0806, IEC-60286-3 (PACKAGING OF COMPONENTS FOR AUTOMATIC HANDLING)
- 11 AFTER PACKAGING, ROLL 2 METERS OF THE REINFORCEMENT COLLAR TO OUTER CIRCUMFERENCE OF TAPE AND REEL POCKET. AND TAPE DOWN AT THE END THE COLLAR.

DRAWING NO.	EDC3-*****	PART NO.	BM23PF0.8-**-DP-0.35V(51)
SCALE	10:1	CODE NO	CL 66**-*****-***
UNITS	mm		



3/3