

MATERIALS

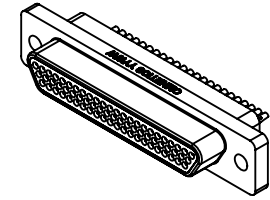
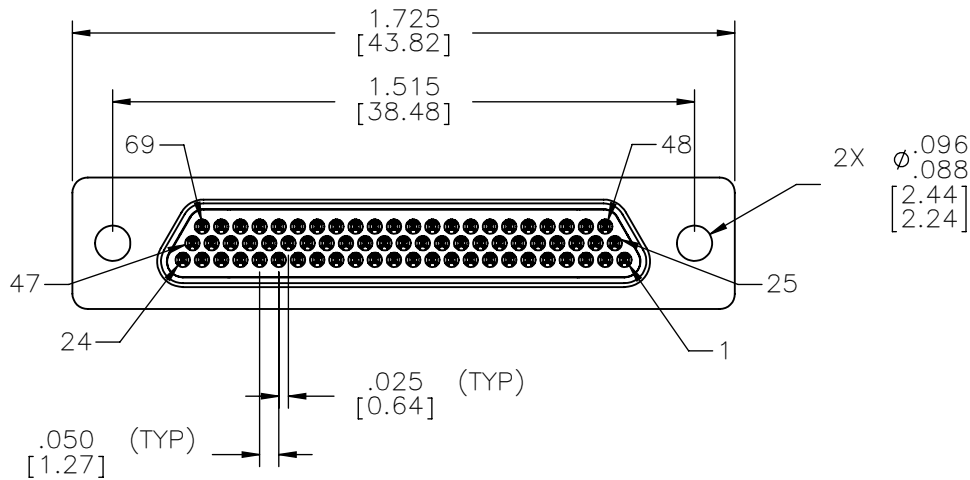
HOUSING:
ALUMINUM 6061-T6, NICKEL
PLATE PER SAE-AMS-2404

INSULATOR:
LIQUID CRYSTAL POLYMER
(LCP) PER ASTM D5138

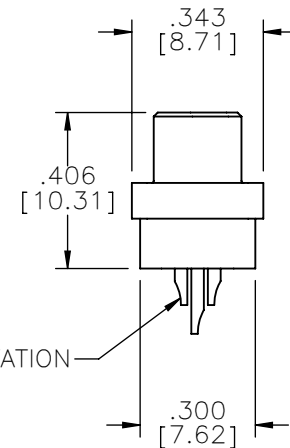
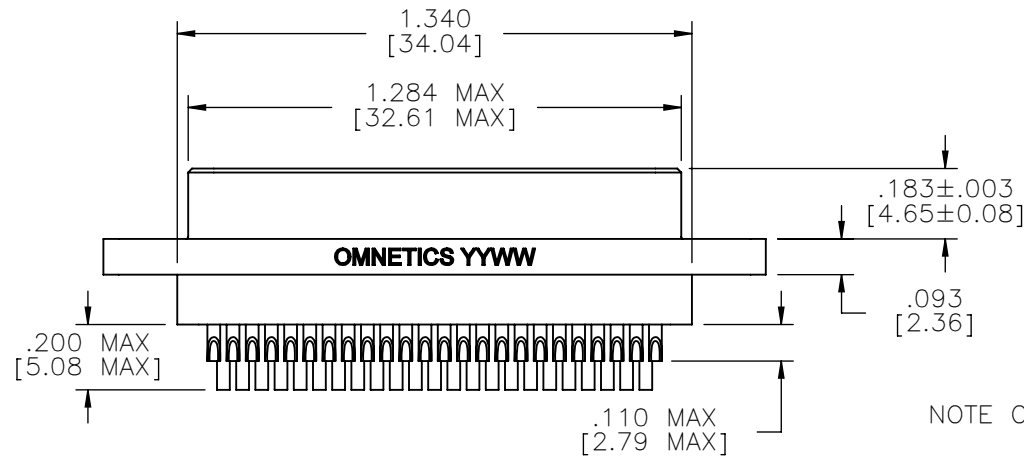
CONTACT/SOLDERCUP:
BERYLLIUM COPPER PER
ASTM B194, C17200, AND
COPPER ALLOY PER MIL-
DTL-83513, GOLD PLATED
PER ASTM B488, (HARD
GOLD) TYPE II CODE C,
CLASS 1.27

HARDWARE:
AVAILABLE UPON REQUEST

PART NO.	A98000-069	REV	ECO	DATE	APP
		A	102562	05-05-16	TLM



ACTUAL SIZE



NOTE ORIENTATION

RoHS

NOTE:
DIMENSIONS IN [] ARE IN
MILLIMETERS UNLESS
OTHERWISE NOTED AND ARE
FOR REFERENCE ONLY

MATERIALS	THIRD ANGLE	THIS DRAWING CONTAINS CONFIDENTIAL AND PROPRIETARY INFORMATION WHICH IS THE PROPERTY OF OMNETICS CONNECTOR CORP. THIS DOCUMENT MAY NOT, IN WHOLE OR IN PART, BE DUPLICATED, OR DISCLOSED FOR ANY PURPOSE, WITHOUT WRITTEN PERMISSION FROM OMNETICS CONNECTOR CORP.	DATE	TITLE:
	-TOLERANCES-		04-04-16	(69) PIN MALE
	UNLESS OTHERWISE NOTED		DATE	MICRO-D CONNECTOR
	DIMENSIONS IN INCHES		DATE	
2 PL DEC±.01	DFTM. ERB	APP'D.	DATE	
3 PL DEC±.005	CHK'D.			
4 PL DEC±.0005	APP'D.			
ANGLES ± 1°				

OMNETICS
CONNECTOR CORPORATION
7260 COMMERCE CIRCLE EAST
MINNEAPOLIS, MN 55432
WWW.OMNETICS.COM

CAGE CODE 61873	REV
DWG NO. A98000-069	A
SHEET 1 OF 1	
SCALE: 2:1	