

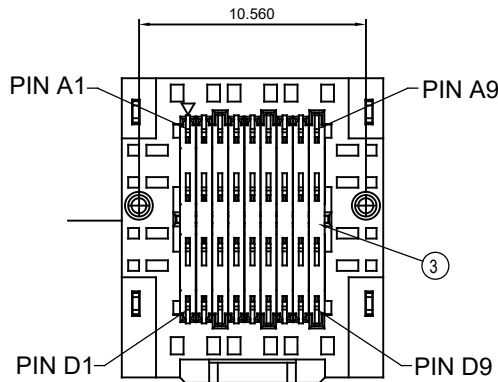
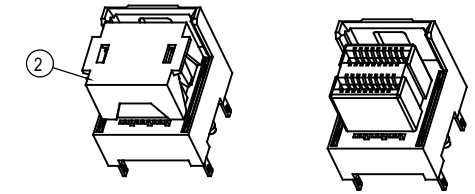
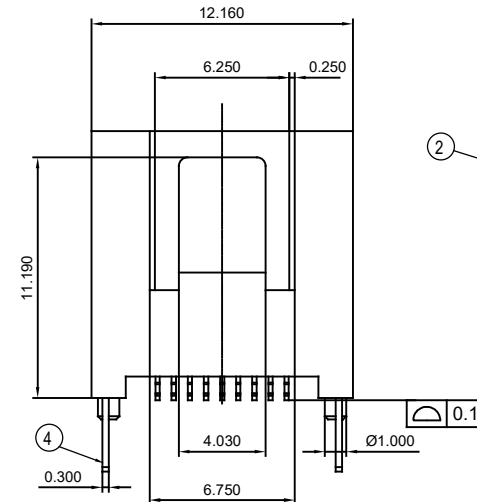
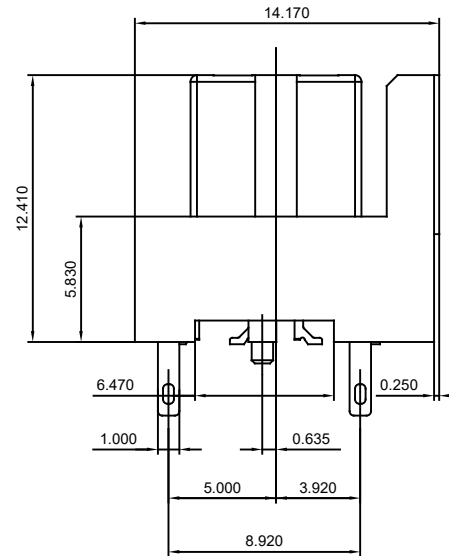
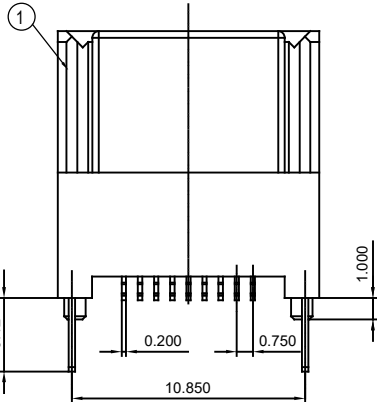
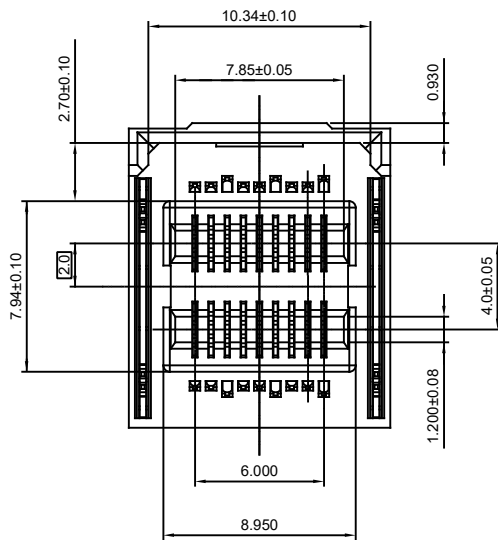


THIS IS A C.A.D. GENERATED DRAWING  
DO NOT MAKE MANUAL REVISIONS TO MASTER.

TOLERANCE UNLESS OTHERWISE SPECIFIED	
.X	±0.35
.XX	±0.25
.XXX	±0.15

NOTES:

MATERIAL: L.C.P GLASS REINFORCED, UL-94V-0  
 HOUSING: L.C.P GLASS REINFORCED, UL-94V-0, COLOR: BLACK  
 CAP: L.C.P GLASS REINFORCED, UL-94V-0, COLOR: BLACK  
 INSERT MOLDING: L.C.P GLASS REINFORCED, UL-94V-0  
 LATCH: STAINLESS STEEL, TIN (MATTE) 100~200µ  
 CONTACT: COPPER ALLOY  
 30 µ" GOLD PLATING ON CONTACT AREA  
 MATTE TIN PLATING ON SOLDER TAIL OVER  
 NICKEL UNDER PLATING



4	LATCH	2	STAINLESS STEEL	TIN(MATTE)100~200 µ"
3	CONTACT	36	COPPER ALLOY	SEE NOTES
3	INSERT MOLDING	9	L.C.P GLASS REINFORCED, UL94 V-0	SEE NOTES
2	CAP	1	L.C.P GLASS REINFORCED, UL94 V-0	BLACK
1	HOUSING	1	L.C.P GLASS REINFORCED, UL94 V-0	SEE NOTES
NO.	DESCRIPTION	QTY.	MATERIAL	FINISH/COLOR

MINI SAS HD EXTERNAL, VERTICAL SMT,  
FEMALE, 36 CONTACTS

ACAD REFERENCE NO.: 901-036-629-002

DRAWN: W.T DATE: JUNE.28 /2018

CHECKED: DATE:

SCALE: N.T.S SHEET 1 OF 1

DRAWING NUMBER: 901-036-629-002

ISSUE

PART NUMBER: 901-036-629-002

1



THIS SERIES FULLY CONFORMS TO  
THE EUROPEAN UNION DIRECTIVES  
2011/65/EU FOR RoHS COMPLIANCY.



EDAC INC  
TORONTO, ONTARIO  
CANADA  
YOUR CONNECTION TO QUALITY & SERVICE

THESE DRAWINGS AND SPECIFICATIONS  
ARE THE PROPERTY OF EDAC INC., AND  
SHALL NOT BE REPRODUCED, OR COPIED  
OR USED AS THE BASIS FOR THE  
MANUFACTURE OR SALE OF APPARATUS  
WITHOUT WRITTEN PERMISSION.