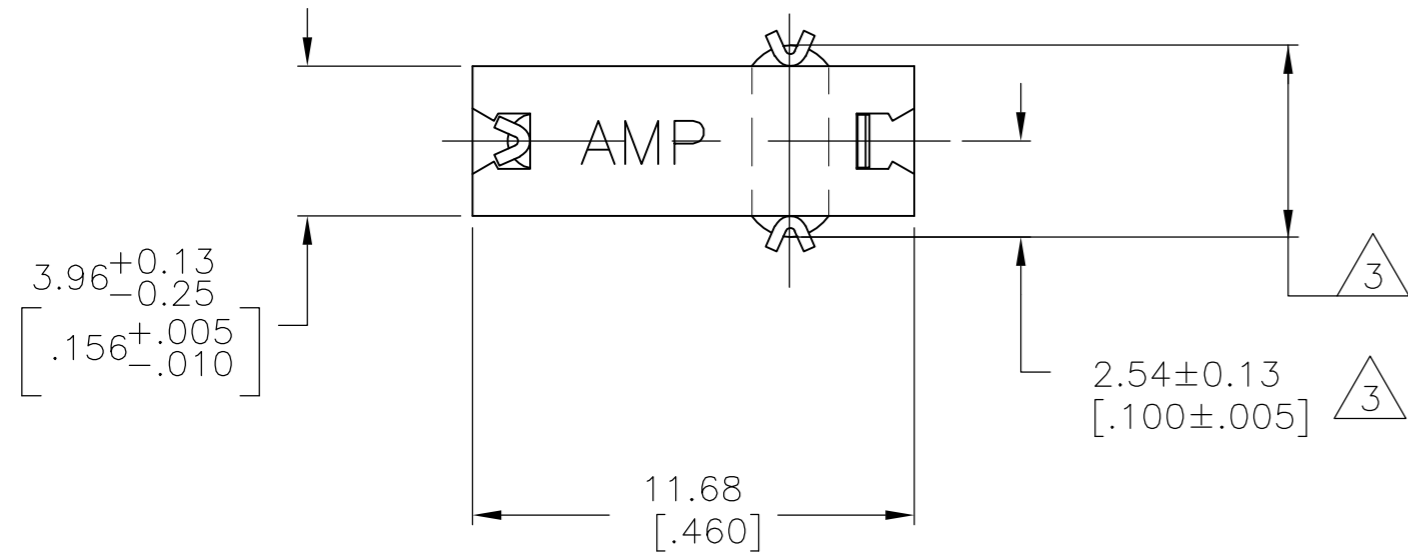
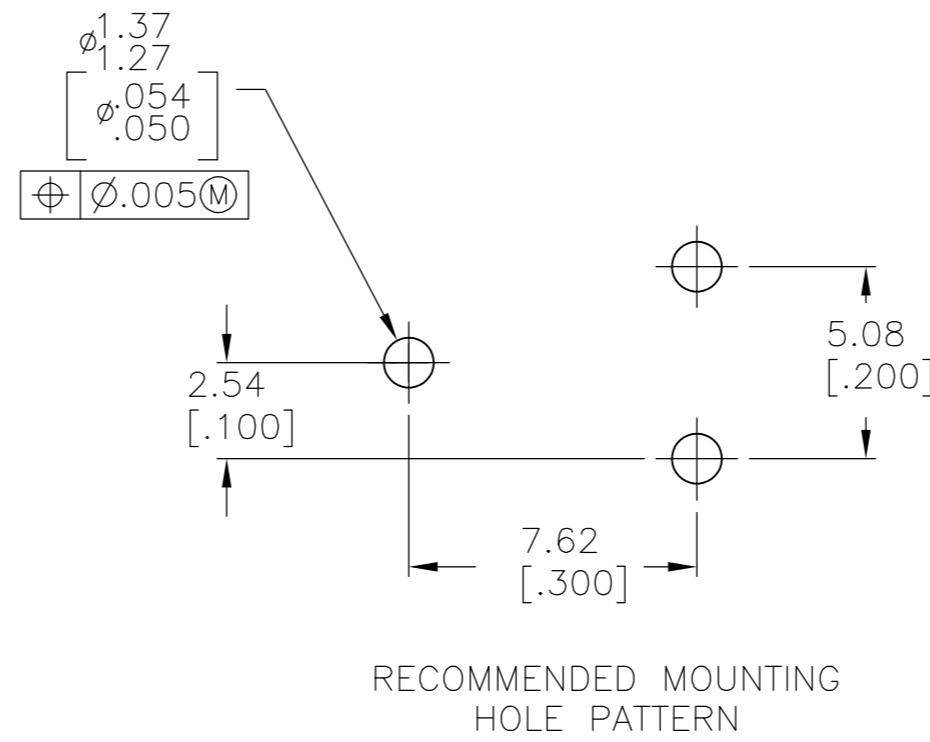
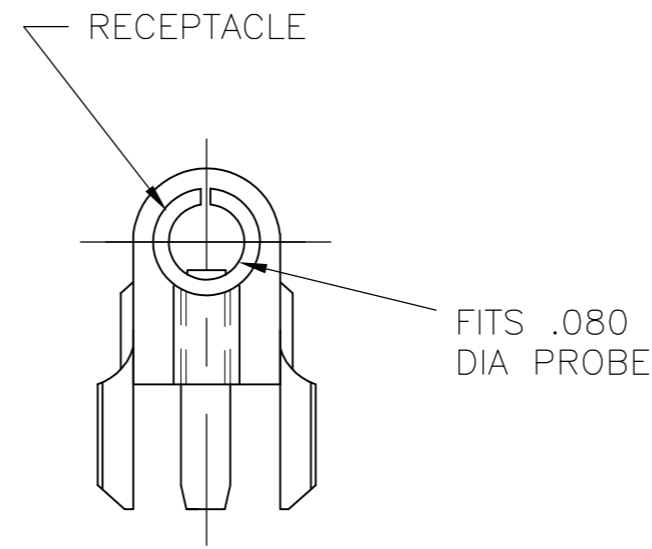
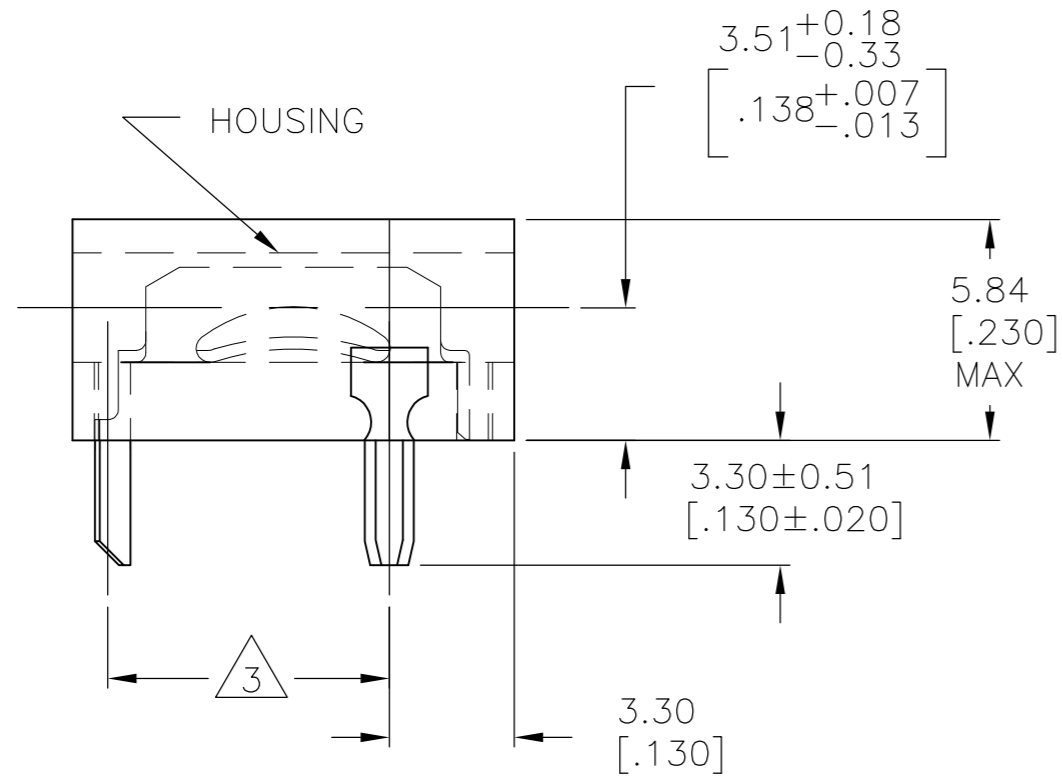


THIS DRAWING IS UNPUBLISHED. RELEASED FOR PUBLICATION  
 © COPYRIGHT BY TYCO ELECTRONICS CORPORATION. ALL INTERNATIONAL RIGHTS RESERVED.

LOC	DIST	REVISIONS			
P	LTR	DESCRIPTION	DATE	DWN	APVD
AF	50	AF2	REVISED PER ECO-13-007856	28MAY13	PB YHM

- 1 OPERATION TEMPERATURE - 105°C MAX
- 2 RETENTION FORCE - 16 OUNCES MIN INITIALLY, 6 OUNCES MIN, AFTER 500 CYCLES.
- 3 REFER TO MOUNTING HOLE PATTERN
- 4 HOUSING NYLON TYPE 6/6  
RECEPT & LEGS, BRASS  
ASTM B36 ALLOY6



FINISH	PLATING	COLOR	PART NO
OBSOLETE	GOLD	NATURAL	6-582119-9
OBSOLETE	SILVER	NATURAL	5-582119-9
	GOLD	WHITE	3-582119-9
OBSOLETE	GOLD	GRAY	3-582119-8
OBSOLETE	GOLD	VIOLET	3-582119-7
OBSOLETE	GOLD	BLUE	3-582119-6
	GOLD	GREEN	3-582119-5
	GOLD	YELLOW	3-582119-4
OBSOLETE	GOLD	ORANGE	3-582119-3
OBSOLETE	GOLD	RED	3-582119-2
OBSOLETE	GOLD	BROWN	3-582119-1
	GOLD	BLACK	3-582119-0
OBSOLETE	SILVER	WHITE	2-582119-9
OBSOLETE	SILVER	GRAY	2-582119-8
OBSOLETE	SILVER	VIOLET	2-582119-7
OBSOLETE	SILVER	BLUE	2-582119-6
OBSOLETE	SILVER	GREEN	2-582119-5
OBSOLETE	SILVER	YELLOW	2-582119-4
OBSOLETE	SILVER	ORANGE	2-582119-3
OBSOLETE	SILVER	RED	2-582119-2
OBSOLETE	SILVER	BROWN	2-582119-1
OBSOLETE	SILVER	BLACK	2-582119-0
LEGS & RECEPT FINISH	COLOR	PART NO	

THIS DRAWING IS A CONTROLLED DOCUMENT.		DWN RAGHAVENDRA 17JUL08	Tyco Electronics Corporation Harrisburg, PA 17105-3608	
DIMENSIONS: mm [INCHES]		CHK JEFF RUTH 17JUL08	TEST PROBE ASSEMBLY	
TOLERANCES UNLESS OTHERWISE SPECIFIED:		APVD ED HOWARD 17JUL08	NAME	
0 PLC ± -		PRODUCT SPEC	SIZE CAGE CODE DRAWING NO RESTRICTED TO	
1 PLC ± -		APPLICATION SPEC	A2 00779 C=582119	
2 PLC ± 0.25 [.01]			SCALE 5:1 SHEET 1 OF 1 REV AF2	
3 PLC ± -				
4 PLC ± -				
ANGLES ± -				
FINISH SEE TABLE		WEIGHT -		
MATERIAL 4		CUSTOMER DRAWING		