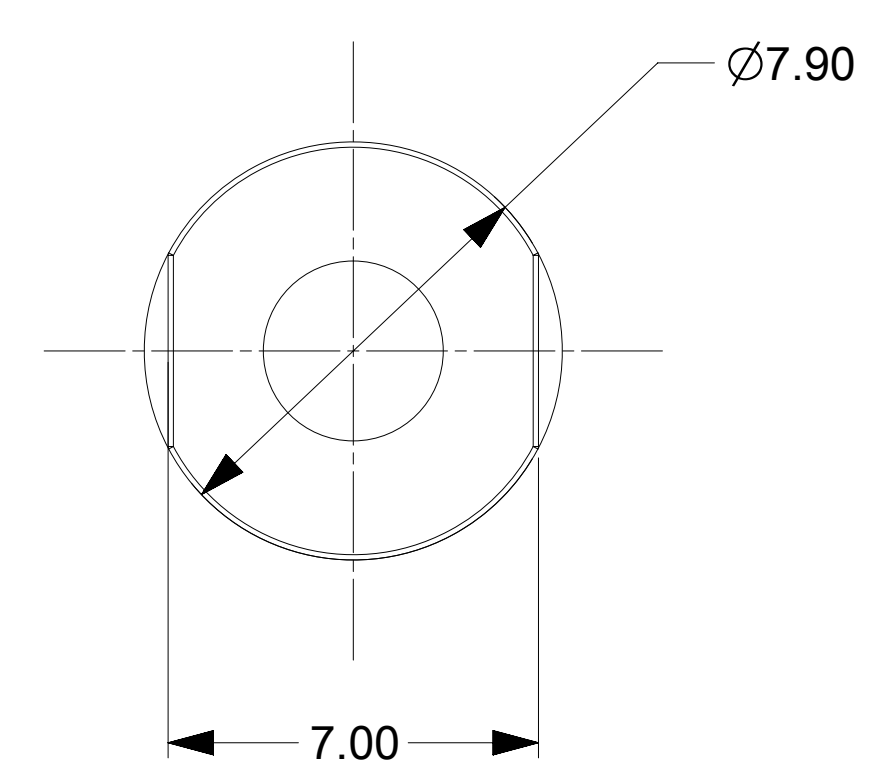
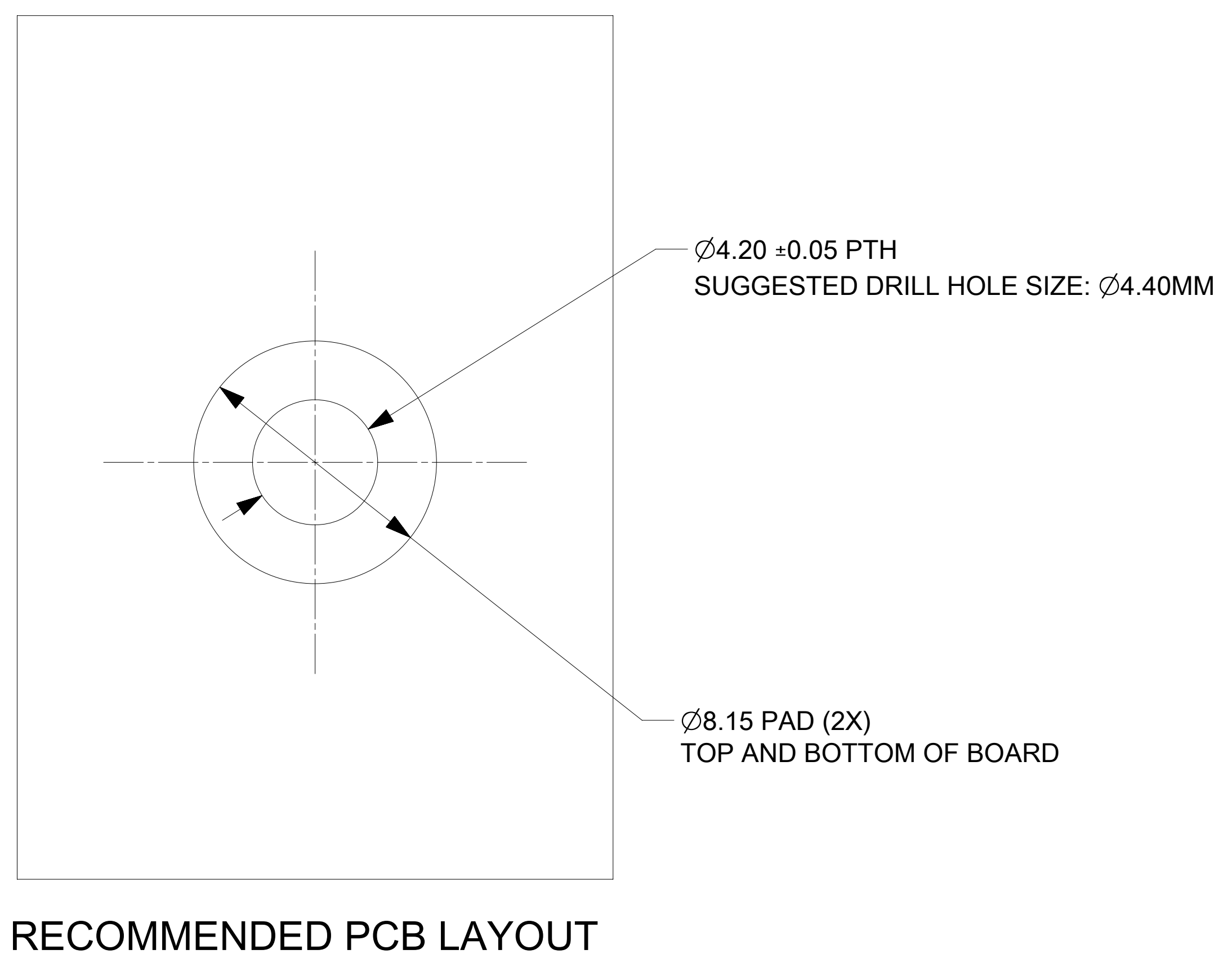
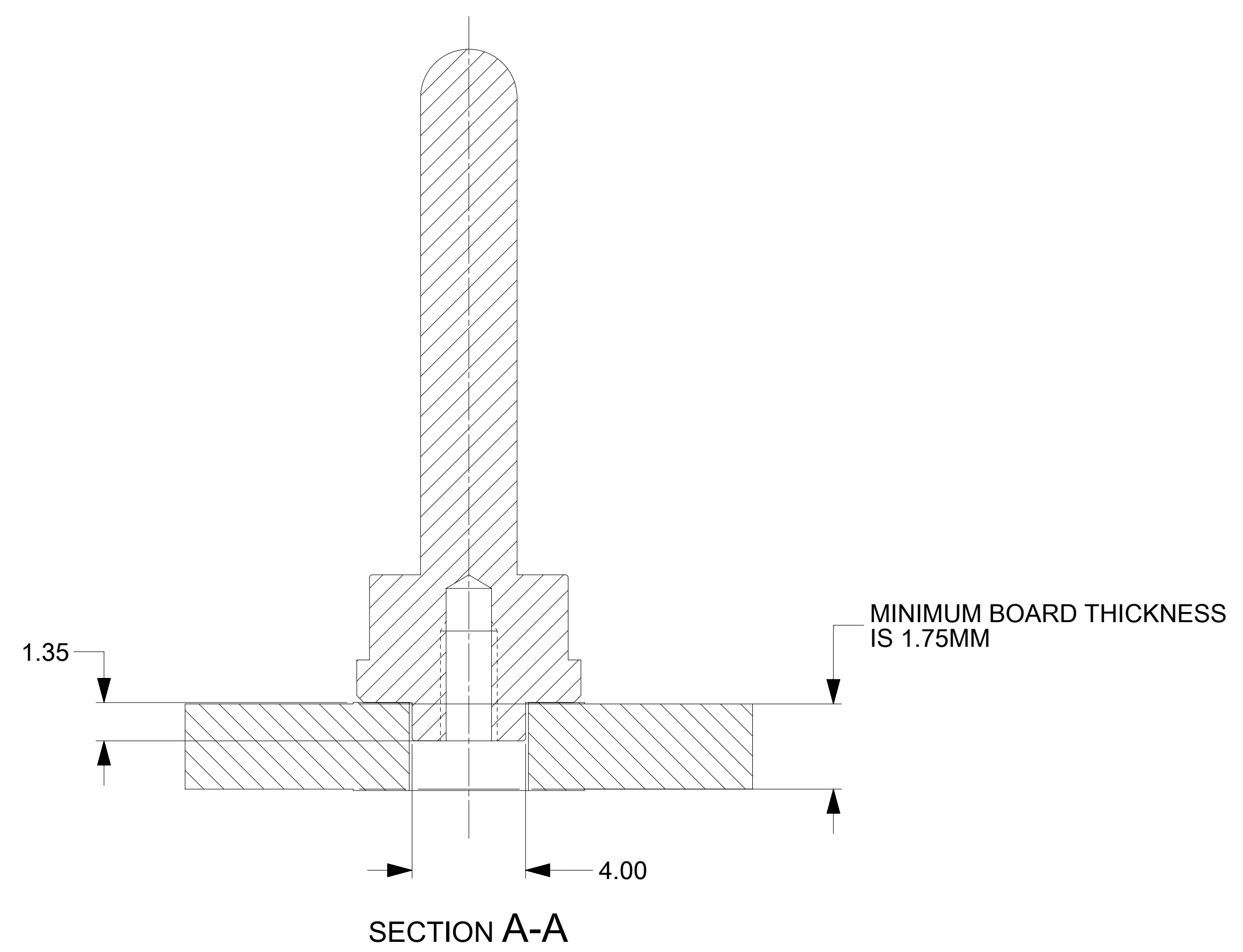
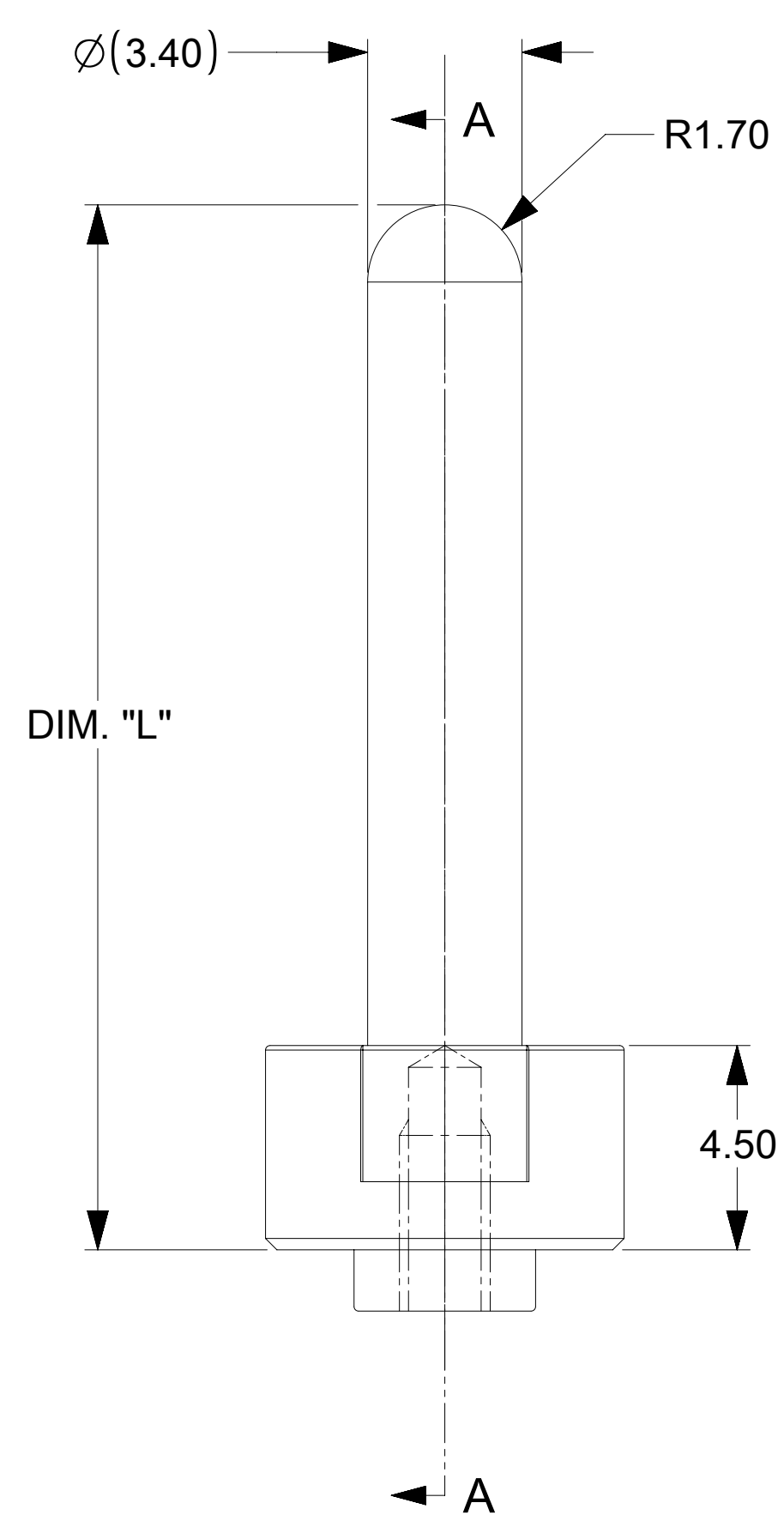


PART NUMBER	DIMENSION "L"
203263-8034	18.65
203263-8134	25.65
203263-8234	21.05
203263-8334	31.05
203263-8434	29.55
203263-8534	23.90
203263-8634	16.00
203263-8734	20.00
203263-8834	26.00
203263-8934	36.00
203263-9034	48.00



NOTES:

- MATERIALS:**
 - BASE METAL: HIGH CONDUCTIVE COPPER ALLOY
 - PLATING ON BODY: 3.18 MICRON MIN SILVER OVER 1.27 MICRON MIN NICKEL
- PRODUCT SPECIFICATION : 2043130018-PS
- APPLICATION SPECIFICATION : 2043130018-AS
- PACKAGING SPECIFICATION : 2032630018-PK
- SILVER COMPONENTS WILL BE SUPPLIED TARNISH FREE BUT MAY TARNISH OVER TIME.
- PART MOUNTED WITH CONDUCTIVE M2 SCREW AND CONDUCTIVE BELLEVILLE WASHER FOR OPTIMAL PERFORMANCE
- SCREW LENGTH TO BE DETERMINED BY CUSTOMER, SCREWS AND WASHERS ARE NOT SUPPLIED BY MOLEX.

THIS DRAWING CONTAINS INFORMATION THAT IS PROPRIETARY TO MOLEX ELECTRONIC TECHNOLOGIES, LLC AND SHOULD NOT BE USED WITHOUT WRITTEN PERMISSION											
DIMENSION UNITS		SCALE		CURRENT REV DESC: UPDATED THE DESCRIPTION							
mm		1:1		<p style="text-align: center;">molex</p> <p style="text-align: center;">SENTRALITY 3.40MM MALE TERMINAL SCREW MOUNT</p> <p style="text-align: center;">PRODUCT CUSTOMER DRAWING</p>							
GENERAL TOLERANCES (UNLESS SPECIFIED)											
ANGULAR TOL ± 0.5°											
4 PLACES ±		EC NO: 726284									
3 PLACES ±		DRWN: SOURAJ 2022/10/26									
2 PLACES ± 0.15		CHK'D: SUVARS 2022/10/27									
1 PLACE ± 0.25		APPR: GSHARMA 2022/10/28									
0 PLACES ±		INITIAL REVISION:									
DRAFT WHERE APPLICABLE MUST REMAIN WITHIN DIMENSIONS		DRWN: RLOW 2019/08/14		APPR: BPISZCZOR 2019/09/04		DOCUMENT NUMBER		DOC TYPE		DOC PART	
THIRD ANGLE PROJECTION		DRAWING		SERIES		MATERIAL NUMBER		CUSTOMER		SHEET NUMBER	
		D-SIZE		203263		2032638034-SD		GENERAL MARKET		1 OF 1	

DOCUMENT STATUS	P1	RELEASE DATE	2022/10/28	09:47:24
-----------------	----	--------------	------------	----------