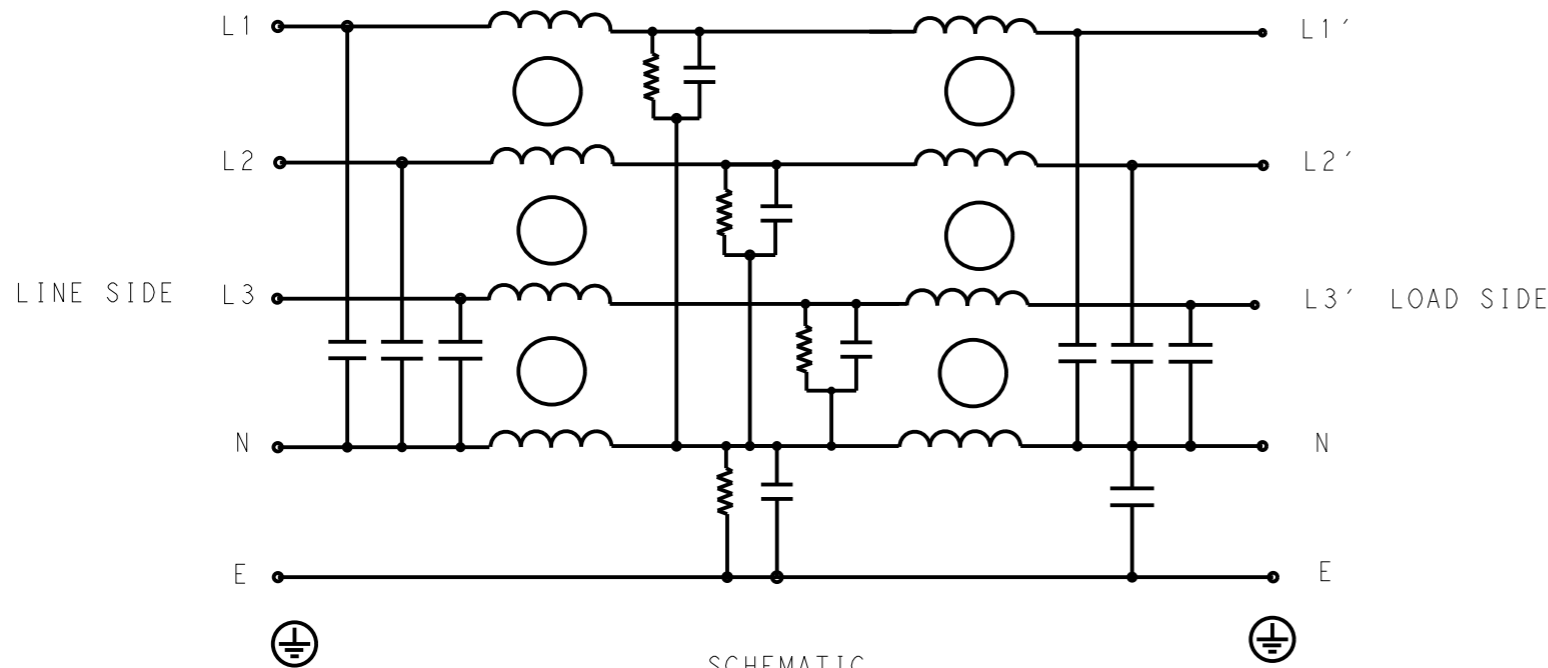


P	LTR	DESCRIPTION	DATE	DWN	APVD
	A	INITIAL RELEASE	20APR2021	SR	CB



SAFETY ORGANIZATIONS
 THIS FILTER WILL BE FORMALLY RECOGNIZED, CERTIFIED OR APPROVED BY THE LISTED AGENCY. THEREFORE, ALL TEST/REQUIREMENTS SPECIFIED IN THE LATEST REVISION OF THE FOLLOWING AGENCY STANDARDS WILL BE MET:

UL APPROVED 16A 520V 50Hz/60Hz 50°C
 CSA APPROVED 16A 520V 50Hz/60Hz 50°C

OPERATING SPECIFICATION
 LINE CURRENT/VOLTAGE: 16A, 520VAC
 LINE FREQUENCY: 50/60Hz

MAXIMUM LEAKAGE CURRENT: 5mA @ 230VAC, 50Hz
 OPERATING AMBIENT TEMPERATURE RANGE @ RATED CURRENT: -10°C TO +50°C
 IN AN AMBIENT, T_a, HIGHER THAN 50°C, THE MAXIMUM OPERATING CURRENT, I_o, IS AS FOLLOWS:

$$I_o = I_r \sqrt{\frac{105 - T_a}{55}}$$

RELIABILITY SPECIFICATIONS
 STORAGE TEMPERATURE: -40°C TO +85°C
 HUMIDITY: 21 DAYS @ 40°C AND 95% RH

TEST SPECIFICATIONS
 INDUCTANCE, NOMINAL: 8mH

CAPACITANCE @ 1kHz
 NEUTRAL TO GROUND, NOMINAL: 1µF
 LINE TO NEUTRAL, NOMINAL: 3µF

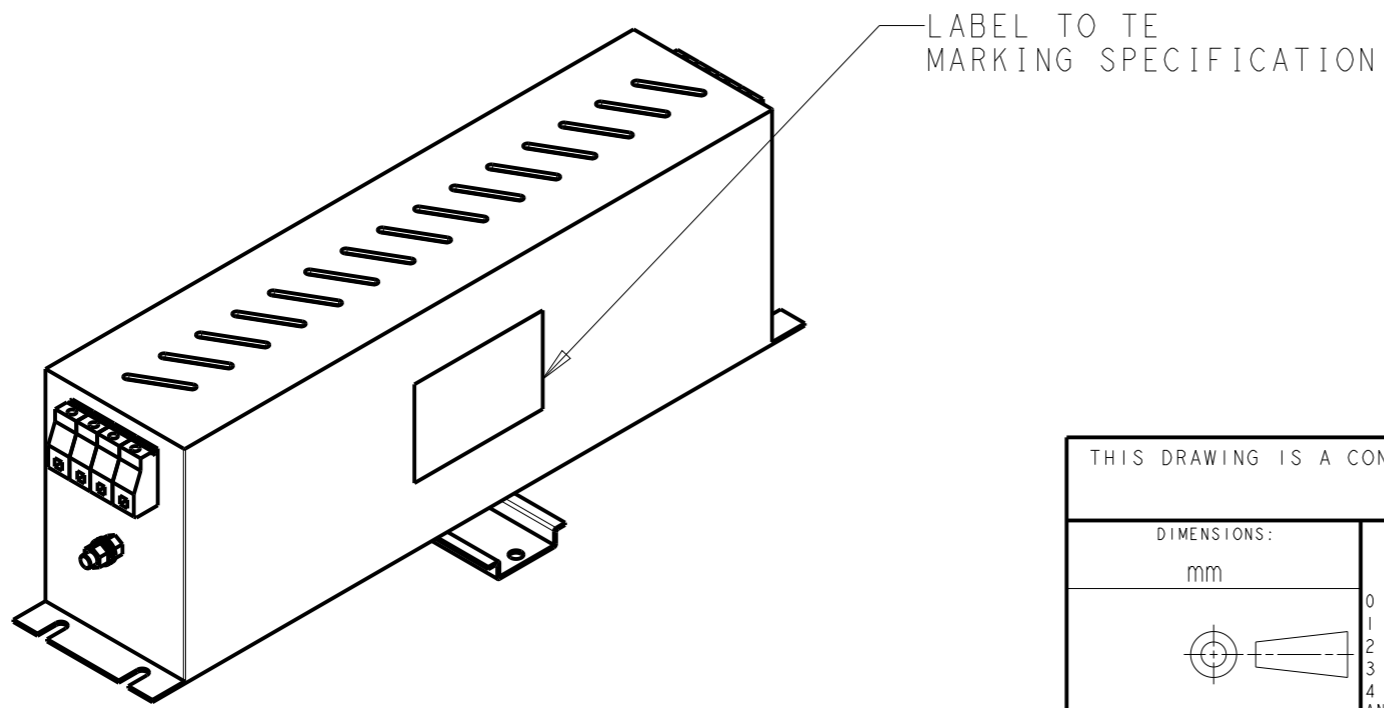
DISCHARGE RESISTOR
 L/L I.R. 2MΩ 1W
 L/N I.R. 1.5MΩ 1W
 L/G I.R. 2MΩ 1W
 N/G I.R. 680KΩ 1W
 IR (NO DISCHARGE RESISTOR) 20°C, 50% RH AND 100VDC, MIN: 6MΩ

RECOMMENDED RECEIVING INSPECTION HIPOT
 LINE TO GROUND FOR 1 MINUTE: 2856VDC
 LINE TO LINE FOR 1 MINUTE: 2236VDC
 LINE TO NEUTRAL FOR 1 MINUTE: 1290VDC

FILTER APPROVAL
 THE BEST WAY TO SELECT AND QUALIFY A FILTER IS FOR YOUR ENGINEERING TO TEST THE UNIT IN YOUR EQUIPMENT.

TYPICAL INSERTION LOSS
 COMMON MODE 50/50Ω; DIFFERENTIAL MODE 50/50Ω

MHz	0.01	0.05	0.15	0.5	1	3	5	10	30
CM	72	70	68	70	74	65	58	46	24
DM	56	50	38	51	52	48	42	28	32



THIS DRAWING IS A CONTROLLED DOCUMENT.		DWN SUPREETH R 20APR2021		TE TE Connectivity	
DIMENSIONS: mm		CHK CHRIS BOLLE 20APR2021			
TOLERANCES UNLESS OTHERWISE SPECIFIED:		APVD CHRIS BOLLE 20APR2021		NAME POWER LINE FILTER FOR DIN 35 RAIL INSTALLATION 16KEVD10BBSWHM	
0 PLC ±-		PRODUCT SPEC -			
1 PLC ±0.5		APPLICATION SPEC -		SIZE A3	
2 PLC ±0.40		WEIGHT -		CAGE CODE 00779	
3 PLC ±0.130		CUSTOMER DRAWING		DRAWING NO. 6-1609998-1	
4 PLC ±0.0500		SCALE 2:5		SHEET 1 OF 2	
ANGLES ±-		REV A		RESTRICTED TO -	
MATERIAL -		FINISH -			

© 2021 TE Connectivity. All Rights Reserved.

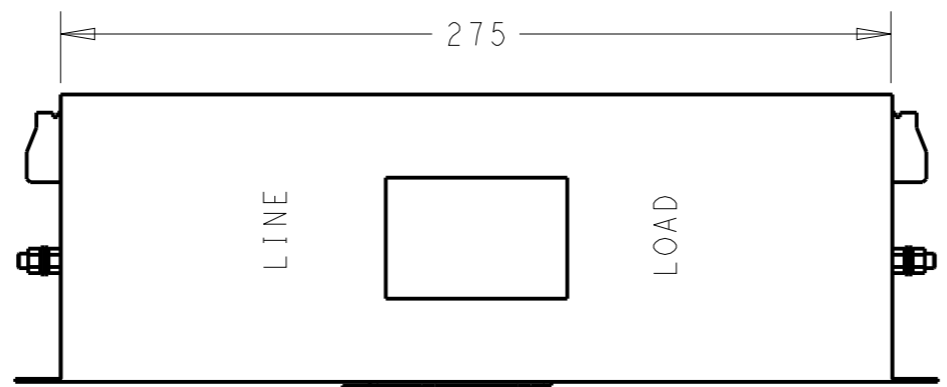
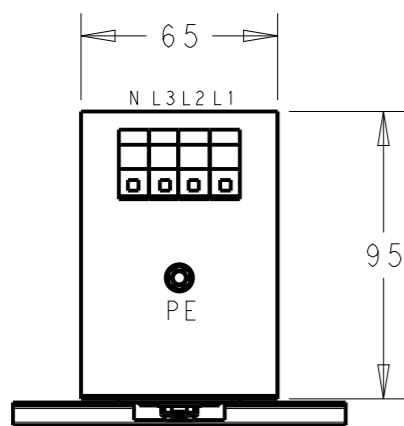
NOTE 1 GROUND CONNECTION:
 FOR ELECTRICAL SAFETY AND FILTER PERFORMANCE
 UNIT MUST HAVE A GOOD GROUND CONNECTION.
 TORQUE OUTER TERMINAL SCREWS: 0.5Nm / 4.5 in.lbs
 TORQUE GROUND NUTS: 2Nm

NOTE 2 INPUT OUTPUT CONNECTION TERMINAL
 AWG SIZE: 26-12 AWG
 WIRE SECTION: 4 mm²
 THREADED BOLT SIZE FOR GROUND: M5

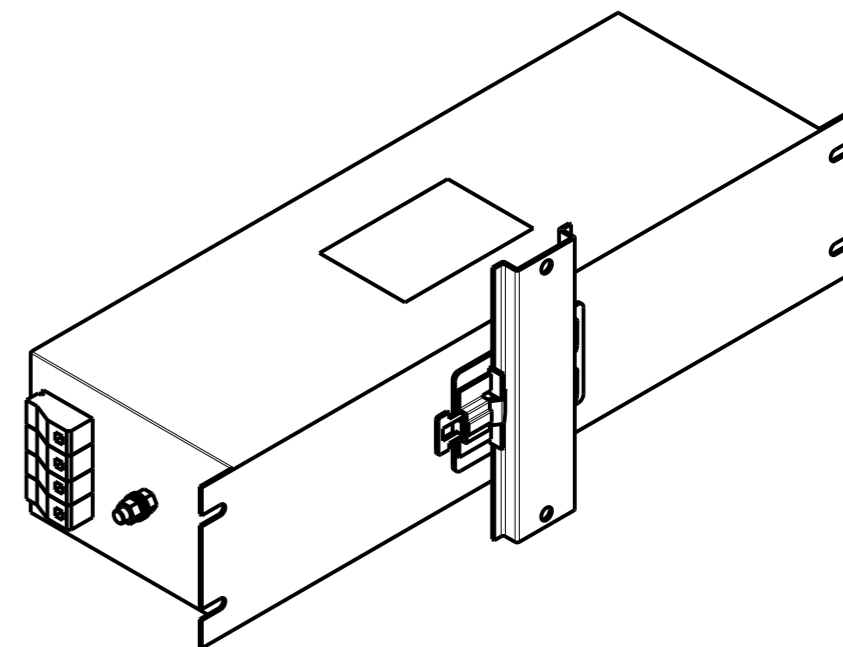
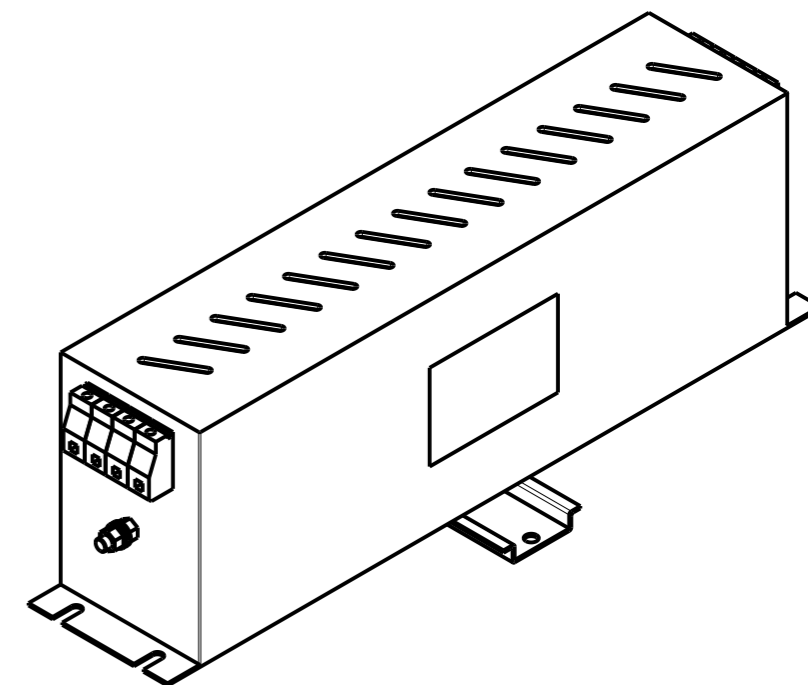
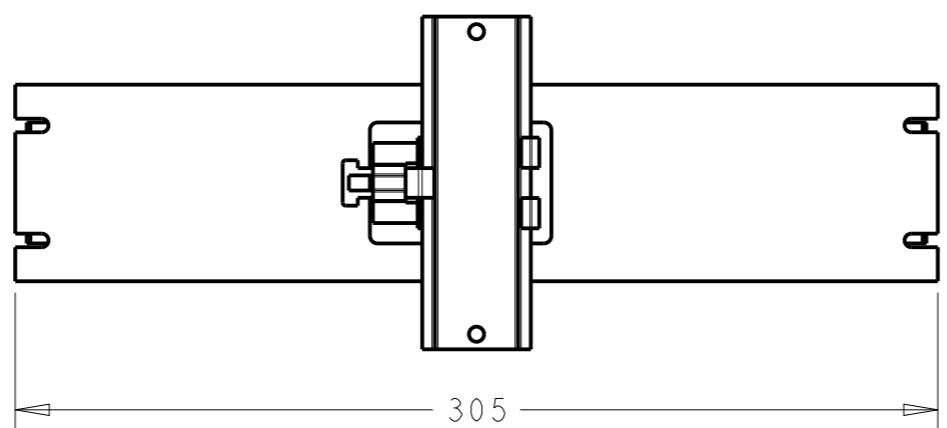
NOTE 3 SUPPLIED WITH DIN RAIL BRACKET.

NOTE 4 DRAWING SHOWS DIN RAIL FOR REFERENCE ONLY.

REVISIONS					
P	LTR	DESCRIPTION	DATE	DWN	APVD
		SEE SHEET 1			



DIN RAIL CHANNEL — DIN 35 BRACKET



THIS DRAWING IS A CONTROLLED DOCUMENT.

DIMENSIONS: mm		TOLERANCES UNLESS OTHERWISE SPECIFIED:	
		0 PLC	±0.5
		1 PLC	±0.40
		2 PLC	±0.130
		3 PLC	±0.0500
		4 PLC	±0.0500
ANGLES	±		
MATERIAL	-	FINISH	-
	-		-

DWN	20APR2021
SUPREETH R	
CHK	20APR2021
CHRIS BOLLE	
APVD	20APR2021
CHRIS BOLLE	
PRODUCT SPEC	-
APPLICATION SPEC	-
WEIGHT	-
CUSTOMER DRAWING	

TE TE Connectivity			
NAME POWER LINE FILTER FOR DIN 35 RAIL INSTALLATION 16KEVD10BBSWHM			
SIZE	CAGE CODE	DRAWING NO	RESTRICTED TO
A3	00779	C-6-1609998-1	-
SCALE		SHEET	REV
2:5		2 OF 2	A