


SACC-M12MR-4CON-PG7

Order No.: 1681091

<http://eshop.phoenixcontact.de/phoenix/treeViewClick.do?UID=1681091>

Sensor/actuator connector, male, angled, 4-pos., M12, A-coded, screw connection, plastic knurl, cable screw connection Pg7

Commercial data

| | |
|--------------------------|---|
| GTIN (EAN) |  4 017918 157494 |
| sales group | D120 |
| Pack | 1 pcs. |
| Customs tariff | 85366990 |
| Catalog page information | Page 45 (PC-2009) |

Product notes

WEEE/RoHS-compliant since:
03/23/2006



<http://www.download.phoenixcontact.com>
Please note that the data given here has been taken from the online catalog. For comprehensive information and data, please refer to the user documentation. The General Terms and Conditions of Use apply to Internet downloads.

Technical data

General data

| | |
|-----------------------|----------|
| Rated current at 40°C | 4 A |
| Rated voltage | 250 V |
| Number of positions | 4 |
| Volume resistance | ≤ 8 mΩ |
| Insulation resistance | ≥ 100 MΩ |

| | |
|--|--|
| Ambient temperature (operation) | -40 °C ... 85 °C (Male connector / female connector) |
| General characteristics | |
| Standards/regulations | M12 connector IEC 61076-2-101 |
| Coding | A - standard |
| Surge voltage category | II |
| Pollution degree | 3 |
| Degree of protection | IP67 |
| Contact material | CuZn |
| Contact surface material | CuSnZn |
| Contact carrier material | PA 66 |
| Material of grip body | PBT |
| Material, knurls | Plastic |
| Sealing material | NBR |
| Type of connection | Screw connection |
| Conductor cross section stranded min. | 0.25 mm ² |
| Conductor cross section stranded max. | 0.75 mm ² |
| Conductor cross section AWG/kcmil min. | 24 |
| Conductor cross section AWG/kcmil max | 18 |
| External cable diameter | 4 mm ... 6 mm |
| Status display | No |

Certificates / Approvals



Certification

GOST

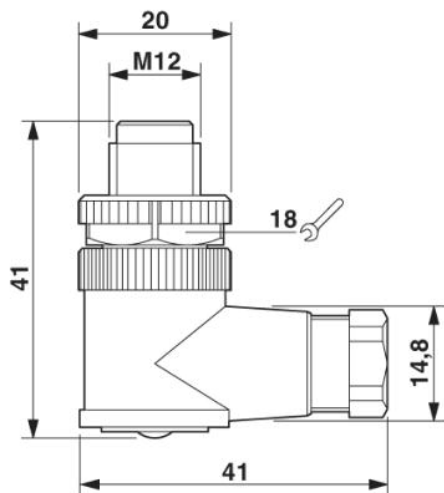
Accessories

| Item | Designation | Description |
|----------------|----------------------|---|
| General | | |
| 1436505 | SACC-M12-SET/2,5-3,5 | Sensor/actuator connector, accessories, pressure screw and Pg7 seal, for unshielded M12 connector, cable diameter 2.5 mm - 3.5 mm |

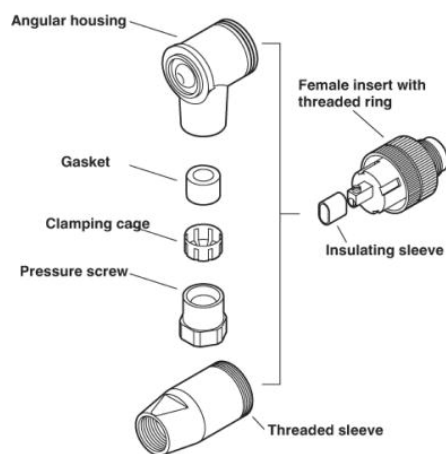
Diagrams/Drawings

Dimensioned drawing

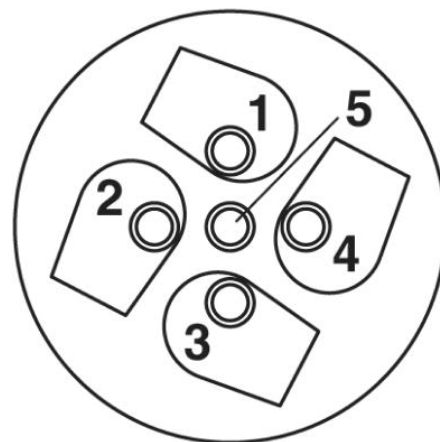
M12 x 1 male connector, angled



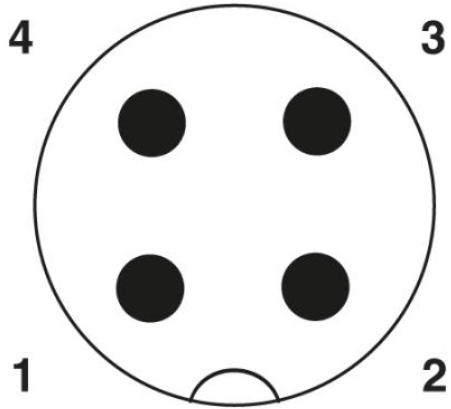
Schematic diagram



Male/Female M12



Cable connection side M12 (screw connection)



Pin assignment M12 plug, 4-pos., A-coded, view plug side

Address

PHOENIX CONTACT Inc., USA
586 Fulling Mill Road
Middletown, PA 17057, USA
Phone (800) 888-7388
Fax (717) 944-1625
<http://www.phoenixcon.com>



© 2010 Phoenix Contact
Technical modifications reserved;